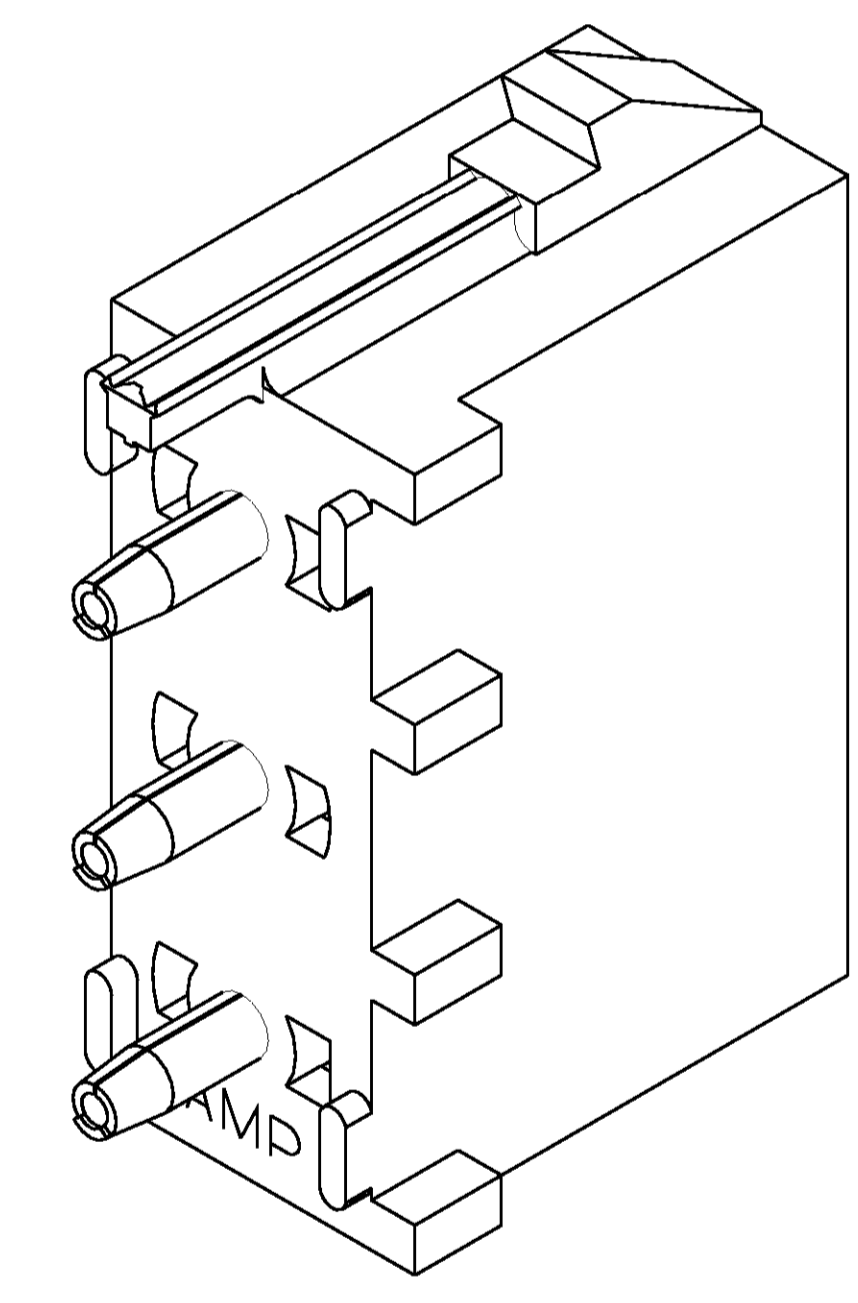
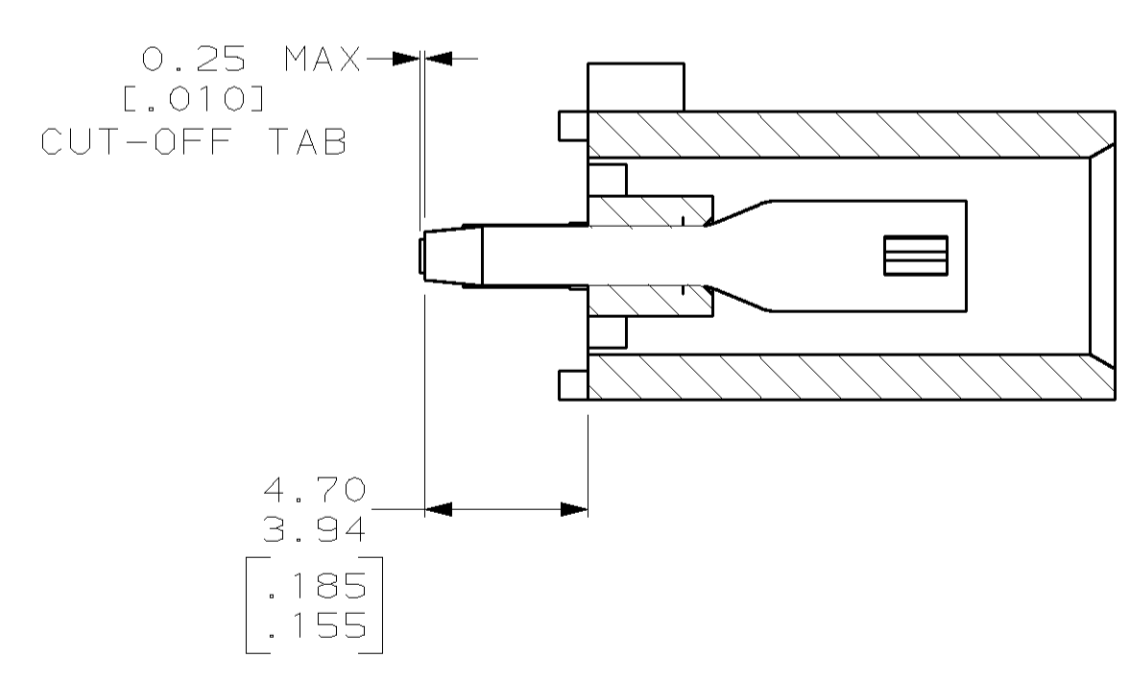
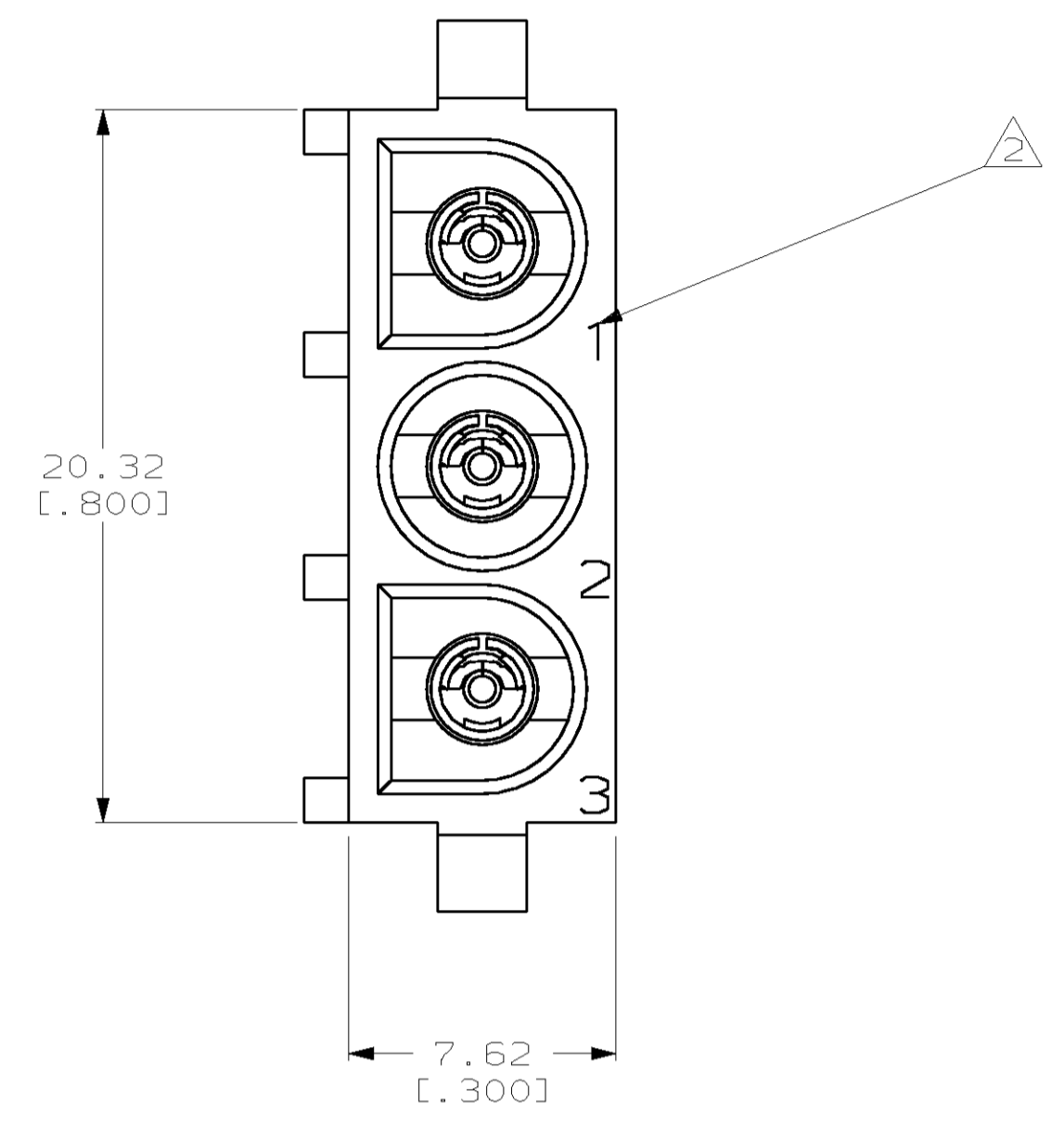
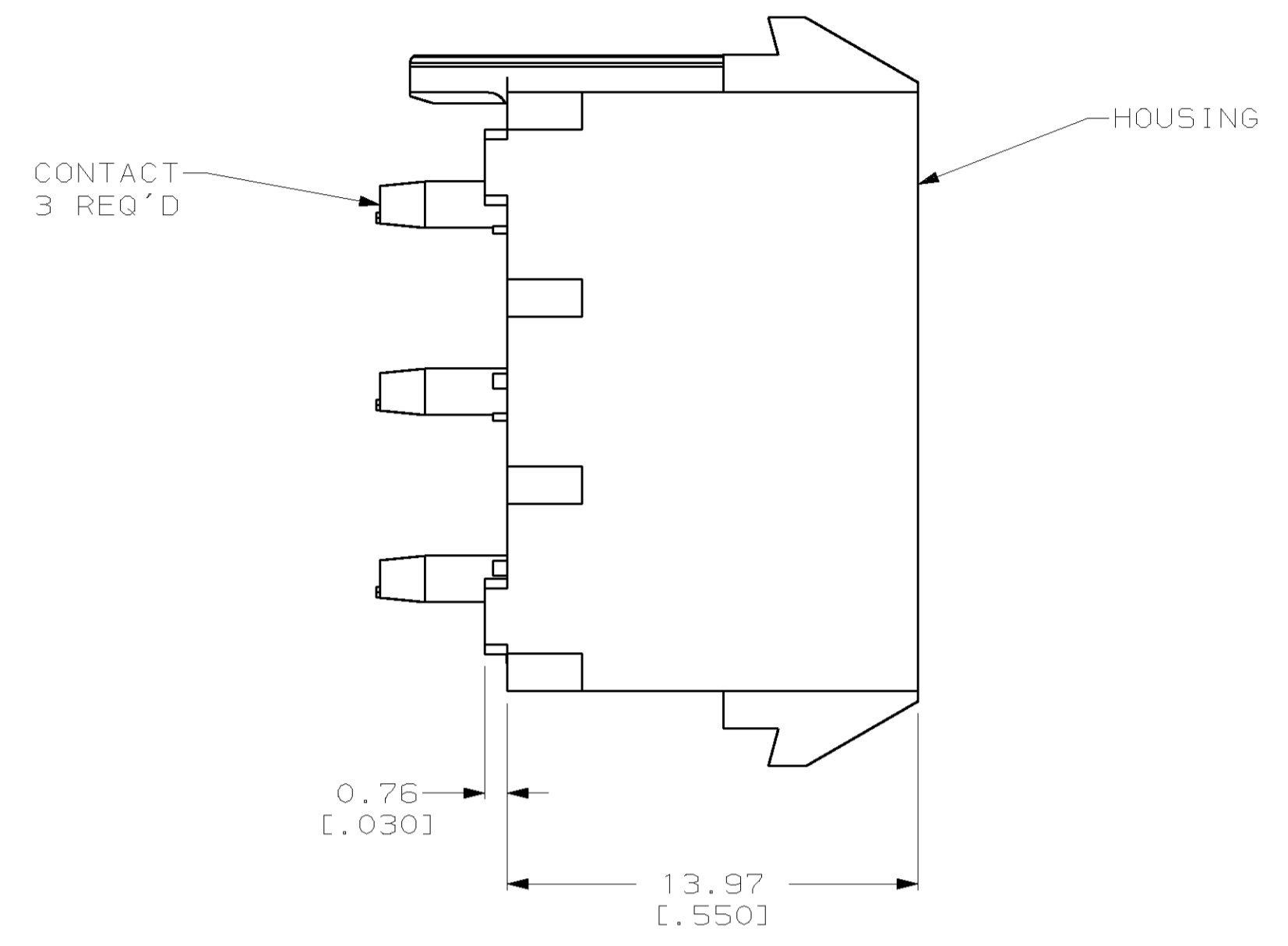
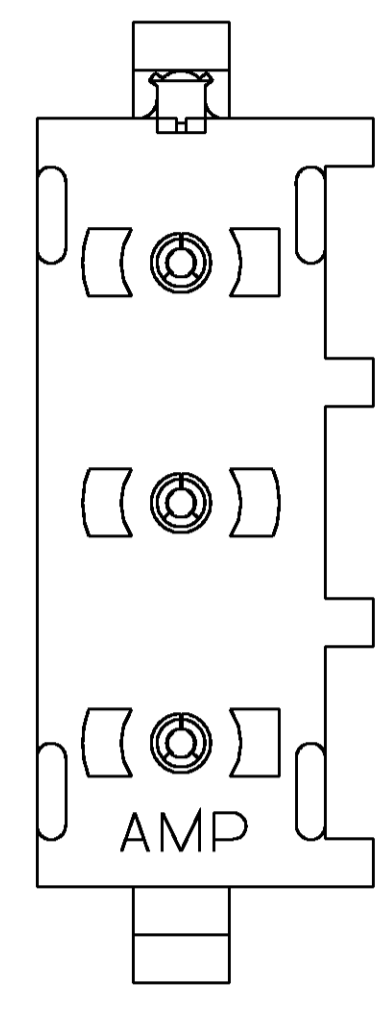
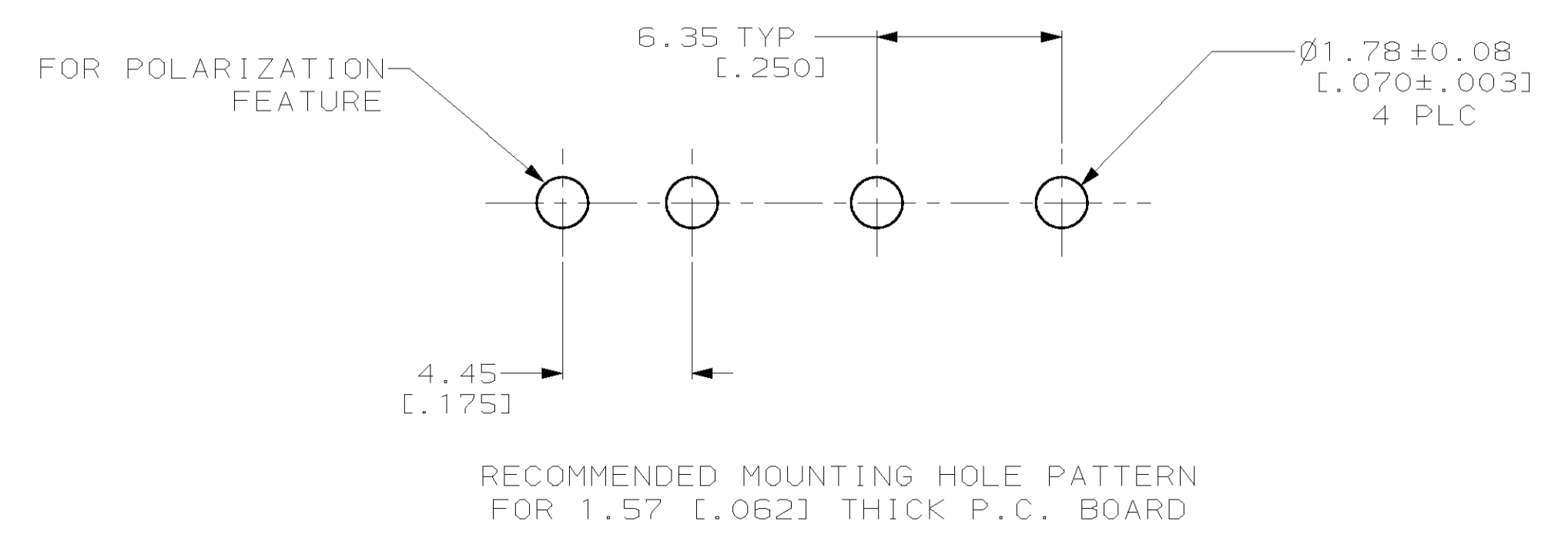


REVISONS		DATE	BY	APVD
CM	00		H	KC
DESCRIPTION		07-JAN-00	LM	KC
REV & REDWN PER EC 0638-0222-99				

- PARTS COMPLY TO AMP SOLDERABILITY SPECIFICATION 109-11-3.
- CIRCUIT IDENTIFICATION CHARACTERS ARE ADJACENT TO THE INDICATED CAVITIES, BUT LOCATION AND ORIENTATION MAY DIFFER FROM PRINT.
- DIMENSIONS IN BRACKETS ARE IN INCHES.



3-DIMENSIONAL MODEL  
NTS



PHOSPHOR BRONZE, PRE-TIN PIN CONTACT MATERIAL AND FINISH	NYLON, UL94V-2, NATURAL HOUSING MATERIAL	643413-1 PART NO
THIS DRAWING IS A CONTROLLED DOCUMENT.		DWN L. McEACHIN 07-JAN-2000
DIMENSIONS: mm (INCHES)		CHK K. COBLE 07-JUN-2000
TOLERANCES UNLESS OTHERWISE SPECIFIED:		APVD K. COBLE 07-JUN-2000
0 PLC ±	1 PLC ±	NAME SOCKET HEADER ASSEMBLY, POLARIZED, 3 CIRCUIT UNIVERSAL MATE-N-LOK™
2 PLC ±0.13 (.005)	3 PLC ±	PRODUCT SPEC
4 PLC ±	5 PLC ±	APPLICATION SPEC
ANGLES	40°-30°	SIZE A1
MATERIAL SEE TABLE	FINISH SEE TABLE	CAGE CODE 00779
CUSTOMER DRAWING		DRAWING NO 643413
SCALE 5:1		SHEET 1 of 1
		REV H



单击下面可查看定价，库存，交付和生命周期等信息

[>>TE Connectivity\(泰科\)](#)