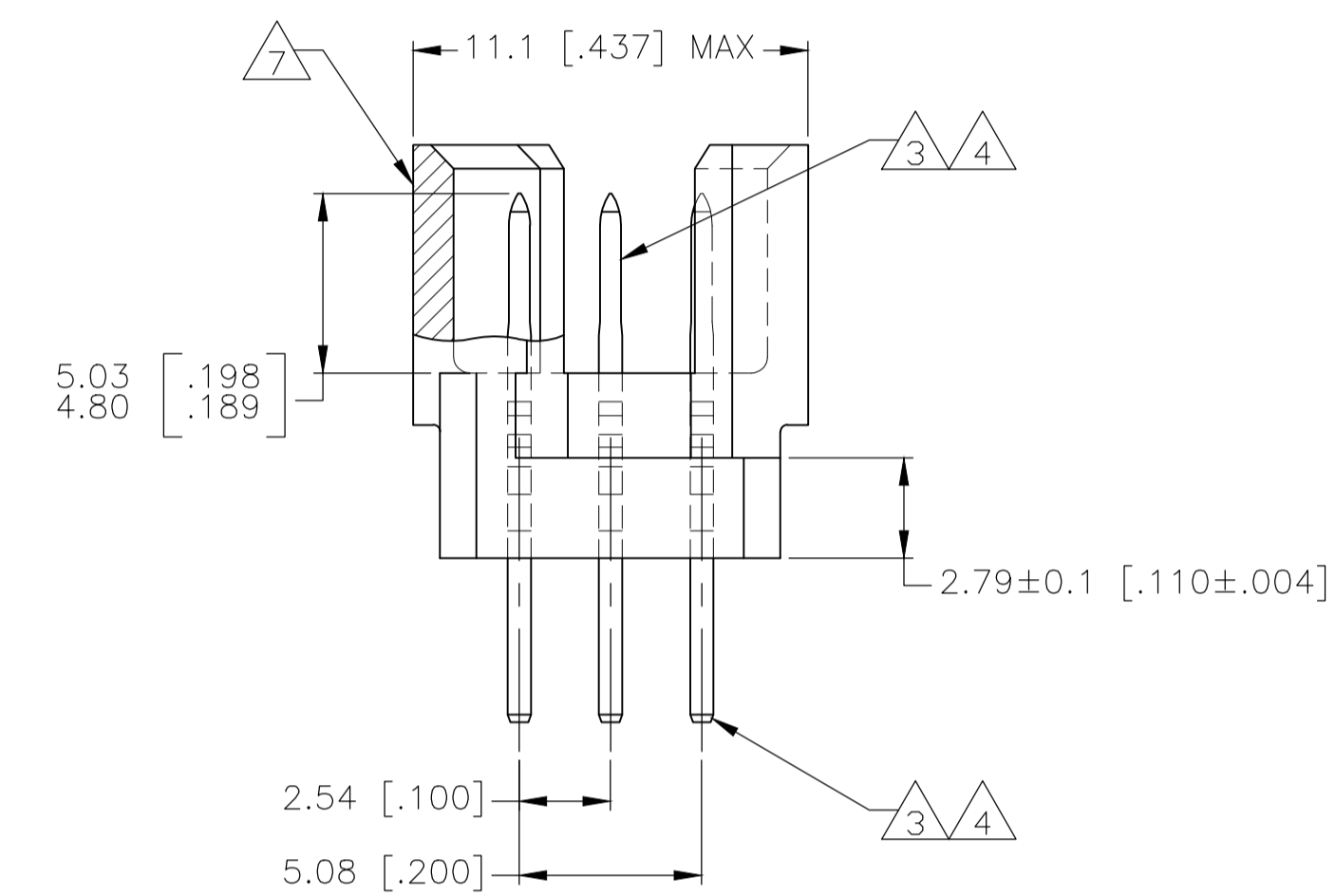


PC BOARD LAYOUT

REVISIONS					
P	LTR	DESCRIPTION	DATE	OWN	APPROV
H2		REVISED PER ECO-20-015169	27OCT2020	RZ	HL

- ① HOUSING MATERIAL: GLASS-FILLED POLYESTER, GRAY.
- ② POST MATERIAL: BRASS.
- ③ POST FINISH: DIN 41612 CLASS 3 IN CONTACT AREA. TIN-LEAD PLATE ON POSTS.
- ④ POST FINISH: DIN 41612 CLASS 2 IN CONTACT AREA. TIN-LEAD PLATE ON POSTS.
- ⑤ RECOMMENDED HOLE SIZE FOR MANUAL APPLICATION OF CONNECTOR ONTO PC BOARD.
- ⑥ PART NUMBER, DATE CODE MARKED THIS APPROXIMATE AREA.
- ⑦ MARKING ON THIS SIDE.



OBSOLETE	NOTES	POSITIONS LOADED	ROWS LOADED			NO OF LOADED POSITIONS	ASSY PART NUMBER
			C	B	A		
	③	1-32	X	X	X	96	650470-9
	④	1-32	X	X	X	96	650470-5

THIS DRAWING IS A CONTROLLED DOCUMENT.		DIN L.BRINER 18MAR91		TE Connectivity													
DIMENSIONS: mm [INCHES]		TOLERANCES UNLESS OTHERWISE SPECIFIED:		NAME: D.C.RUBENDALL 26MAR91													
<table border="1"> <tr><td>0 PLC</td><td>± -</td></tr> <tr><td>1 PLC</td><td>± -</td></tr> <tr><td>2 PLC</td><td>± 0.13 [.005]</td></tr> <tr><td>3 PLC</td><td>± -</td></tr> <tr><td>4 PLC</td><td>± -</td></tr> <tr><td>ANGLES</td><td>± -</td></tr> </table>		0 PLC	± -	1 PLC	± -	2 PLC	± 0.13 [.005]	3 PLC	± -	4 PLC	± -	ANGLES	± -	APPLICATION SPEC		PRODUCT SPEC	
0 PLC	± -																
1 PLC	± -																
2 PLC	± 0.13 [.005]																
3 PLC	± -																
4 PLC	± -																
ANGLES	± -																
MATERIAL: ① ②		FINISH: ③ ④		SIZE: A1													
WEIGHT: 0.000000		CAGE CODE: 00779		DRAWING NO: 650470													
CUSTOMER DRAWING		SCALE: 5:1		SHEET 1 OF 1 REV H2													

单击下面可查看定价，库存，交付和生命周期等信息

[>>TE Connectivity\(泰科\)](#)