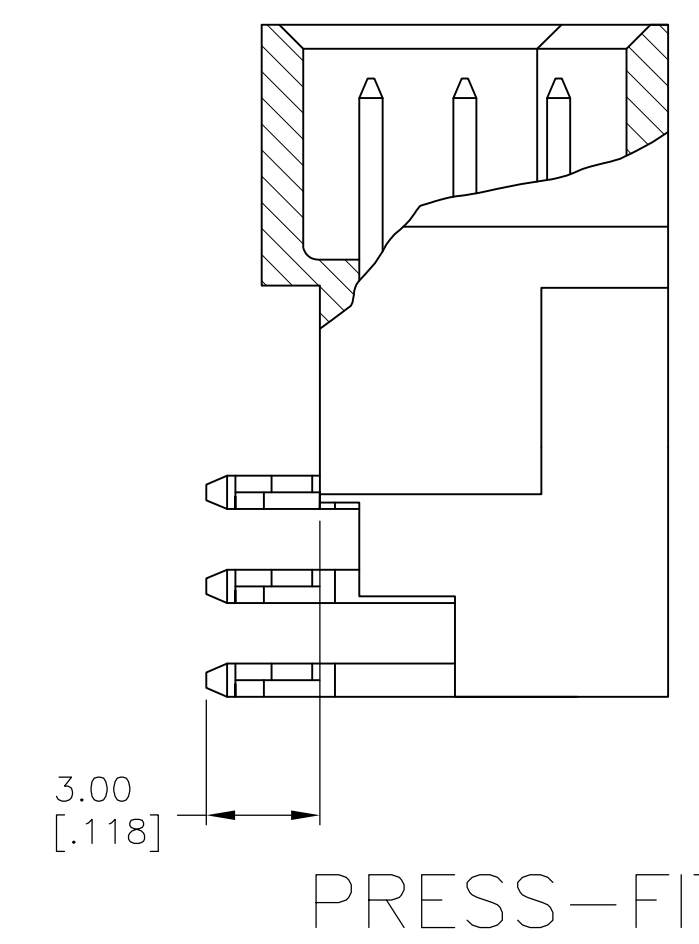
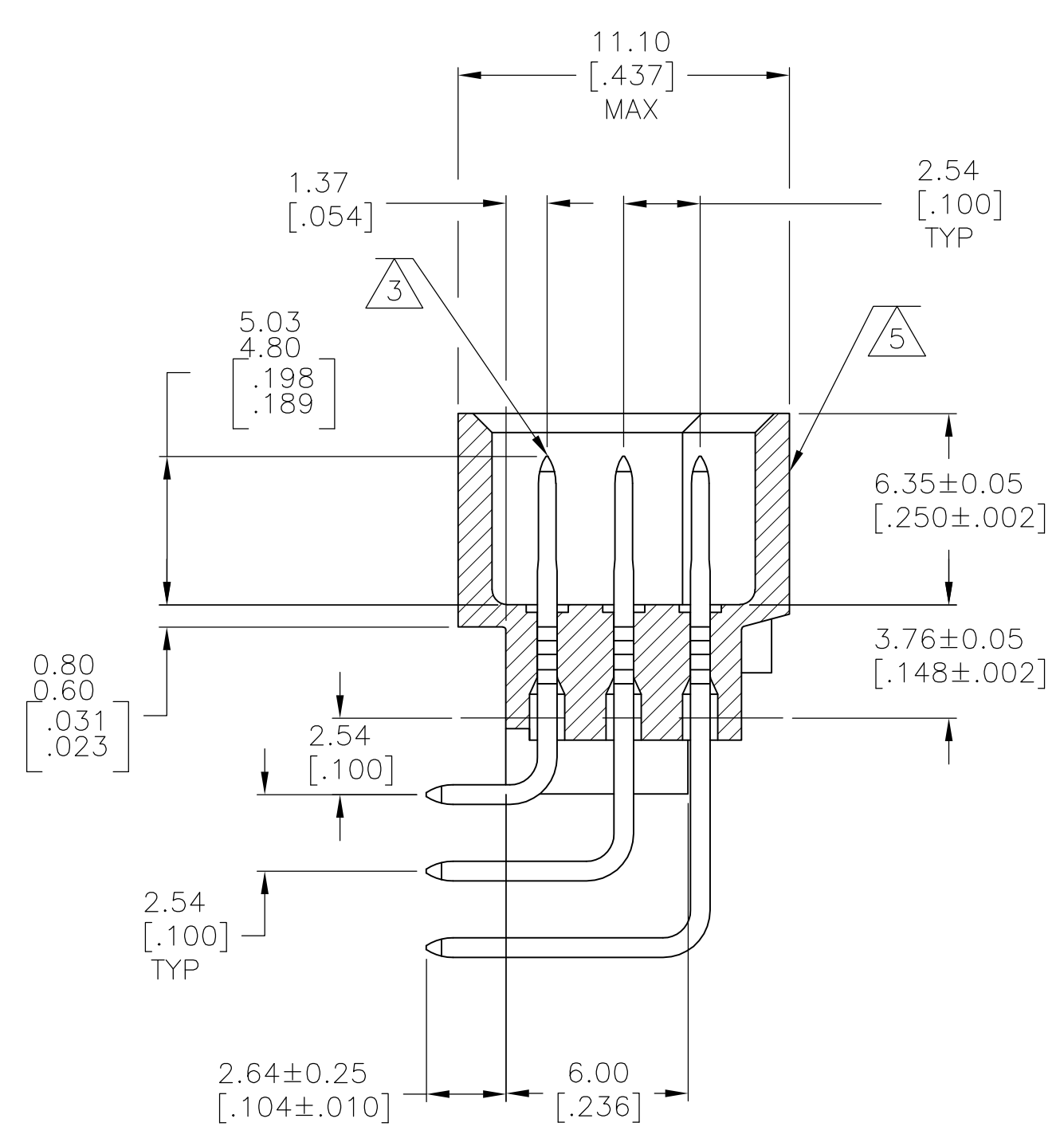
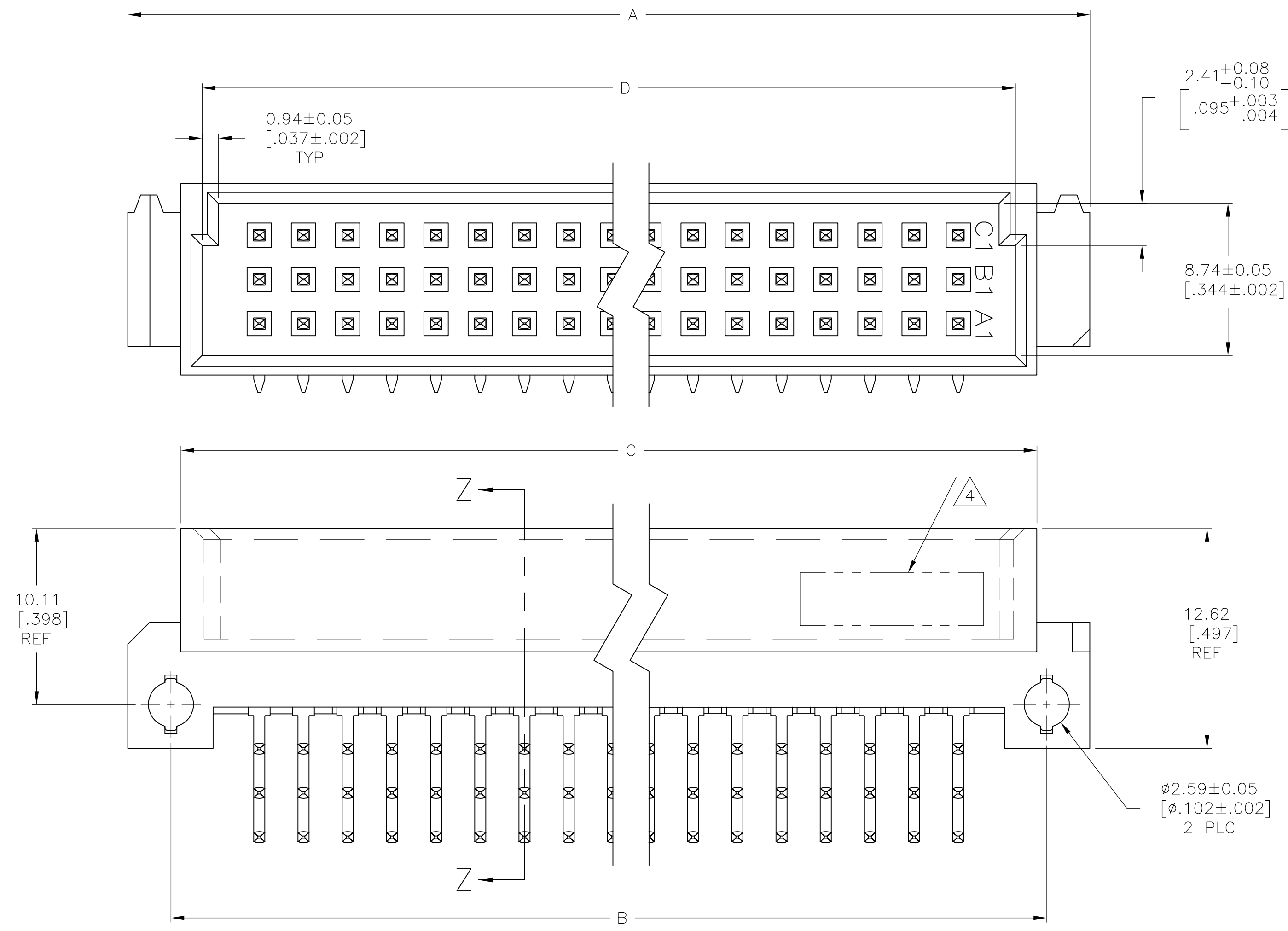
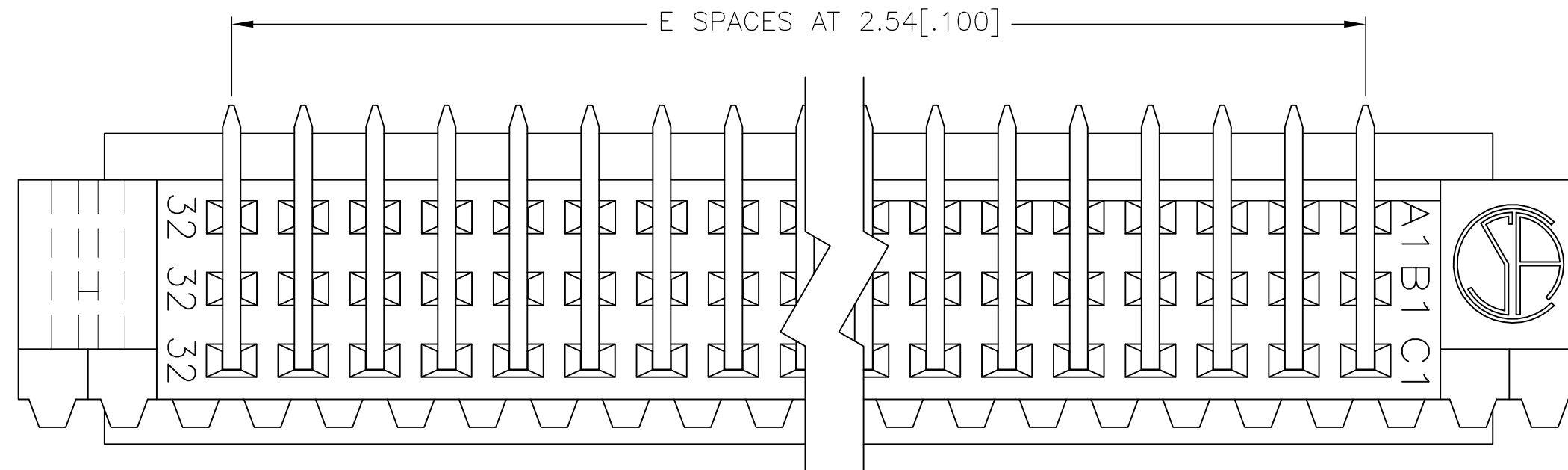


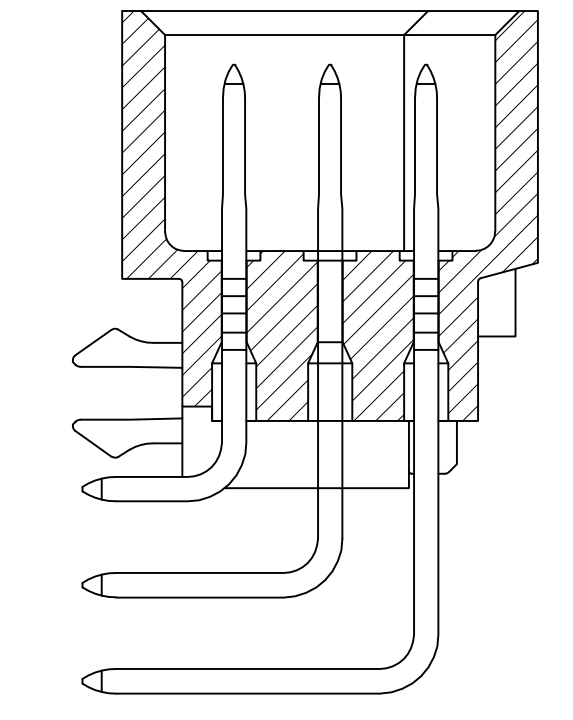
- 1 HOUSING MATERIAL: GLASS-FILLED POLYMER.
- 2 POST MATERIAL: COPPER ALLOY.
- 3 NICKEL UNDERPLATE 1.27UM [.000050] ON ALL CONTACTS.
- 4 PART NUMBER, DATE CODE MARKED THIS APPROXIMATE AREA.
- 5 MARKING ON THIS SIDE.
- 6 RECOMMENDED HOLE SIZE FOR MANUAL APPLICATION OF SOLDER CONNECTORS INTO PC BOARD. REFERENCE APPLICATION SPEC 114-9014 FOR RECOMMENDED PLATED THROUGH HOLE SIZE FOR PRESS-FIT APPLICATIONS



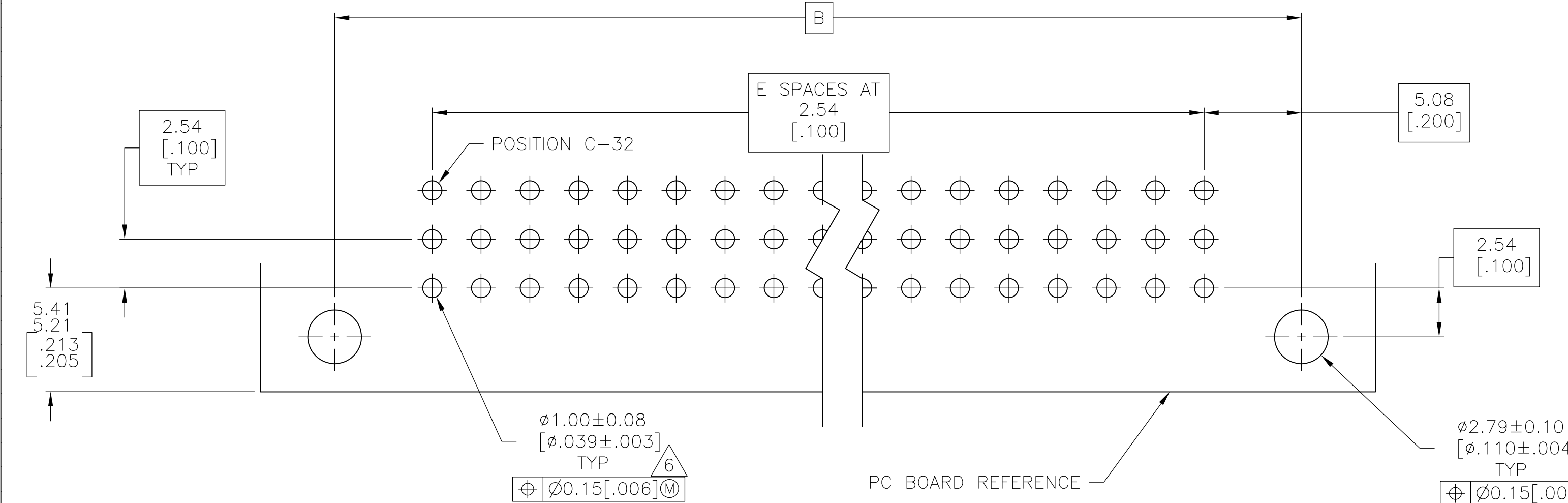
PRESS-FIT



SECTION Z-Z



BOARD LOCK



E	D	C	B	A	ROWS LOADED	NO. OF LOADED POSITIONS	HOUSING SIZE	ROHS COMPLIANT		ROHS COMPLIANT		ROHS COMPLIANT		ROHS COMPLIANT		ROHS COMPLIANT			
								DIN 41612 Level II	1.25um GOLD	DIN 41612 Level II	Gold Flash	DIN 41612 Level II	DIN 41612 Level II	DIN 41612 Level II	DIN 41612 Level II	DIN 41612 Level II			
								No Boardlock	No Boardlock	No Boardlock	No Boardlock	With Boardlock	No Boardlock	With Boardlock	No Boardlock	No Boardlock			
49	131.01	133.48	134.62	139.7	A-B-C	150	150								650907-5	5650915-5	5650907-5		
39	105.61	108.08	109.22	114.3	A-B-C	120	120								650906-5	5650914-5	5650906-5		
31	85.29	87.76	88.9	94.0	A-C	64	96	216432-4	216432-1						650945-3	536356-5	650945-5		
31	85.29	87.76	88.9	94.0	A-B-C	96		215605-4	215605-1	650473-8	650473-3	650913-5	650473-5	650945-5	5536356-5	5650945-5	5650945-5		
15	44.65	47.12	48.26	53.34	A-C	32	48	106276-4			650946-3	650978-5	650946-5	650946-5	5650978-5	5650946-5	5650946-5		
15	44.65	47.12	48.26	53.34	A-B-C	48		216398-4	216398-1		650478-3	148020-5	650478-5	5148020-5	5650478-5	5650478-5	5650478-5		
								Press-fit	Press-fit	Wave Solder	Wave Solder	Wave Solder	Wave Solder	Wave Solder	Wave Solder	Reflow 260°C	Reflow 260°C		
								ROHS Compliant	ROHS Compliant	Non ROHS Compliant	ROHS Compliant	ROHS Compliant	ROHS Compliant	ROHS Compliant	ROHS Compliant	ROHS Compliant	ROHS Compliant	ROHS Compliant	ROHS Compliant
								No Boardlock	No Boardlock	No Boardlock	No Boardlock	With Boardlock	No Boardlock	With Boardlock	No Boardlock	With Boardlock	No Boardlock	No Boardlock	

PC BOARD LAYOUT

THIS DRAWING IS A CONTROLLED DOCUMENT. BIN L BRINER 2/13/91

DIMENSIONS: mm [INCHES] TOLERANCES UNLESS OTHERWISE SPECIFIED: 0 PLC ± - 1 PLC ± - 2 PLC ± - 3 PLC ± 0.13[.005] 4 PLC ± - ANGLES ± -

MATERIAL FINISH WEIGHT

APPROVED: D.C. RUBENDALL 2/13/91 NAME: ASSEMBLY, PIN EUROCARD, TYPE C, .104 SOLDER POST

STE TE Connectivity

SIZE: A1 00779 C=650473

CUSTOMER DRAWING SCALE: 5:1 SHEET: 1 of 1 REV: S

单击下面可查看定价，库存，交付和生命周期等信息

[>>TE Connectivity\(泰科\)](#)