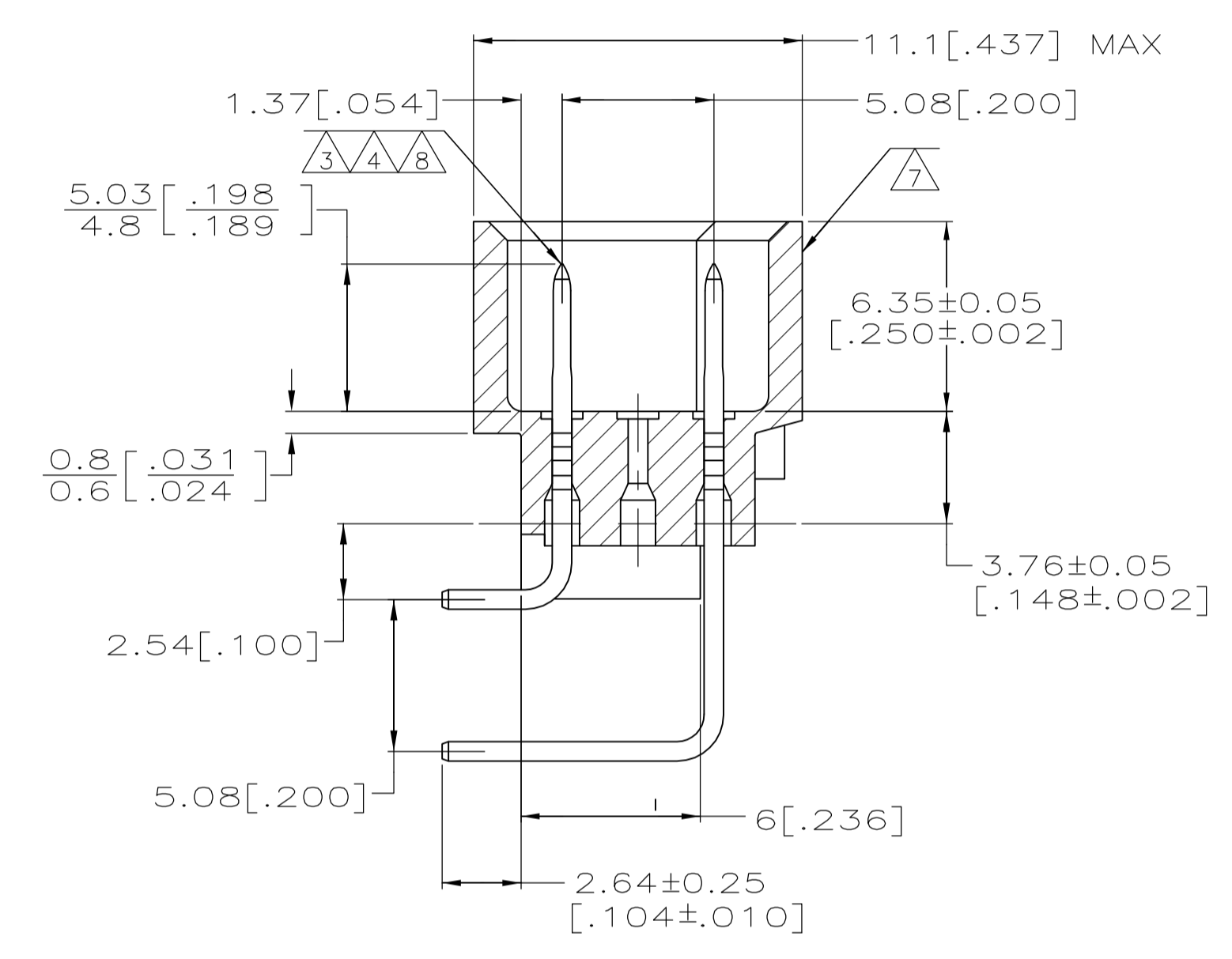
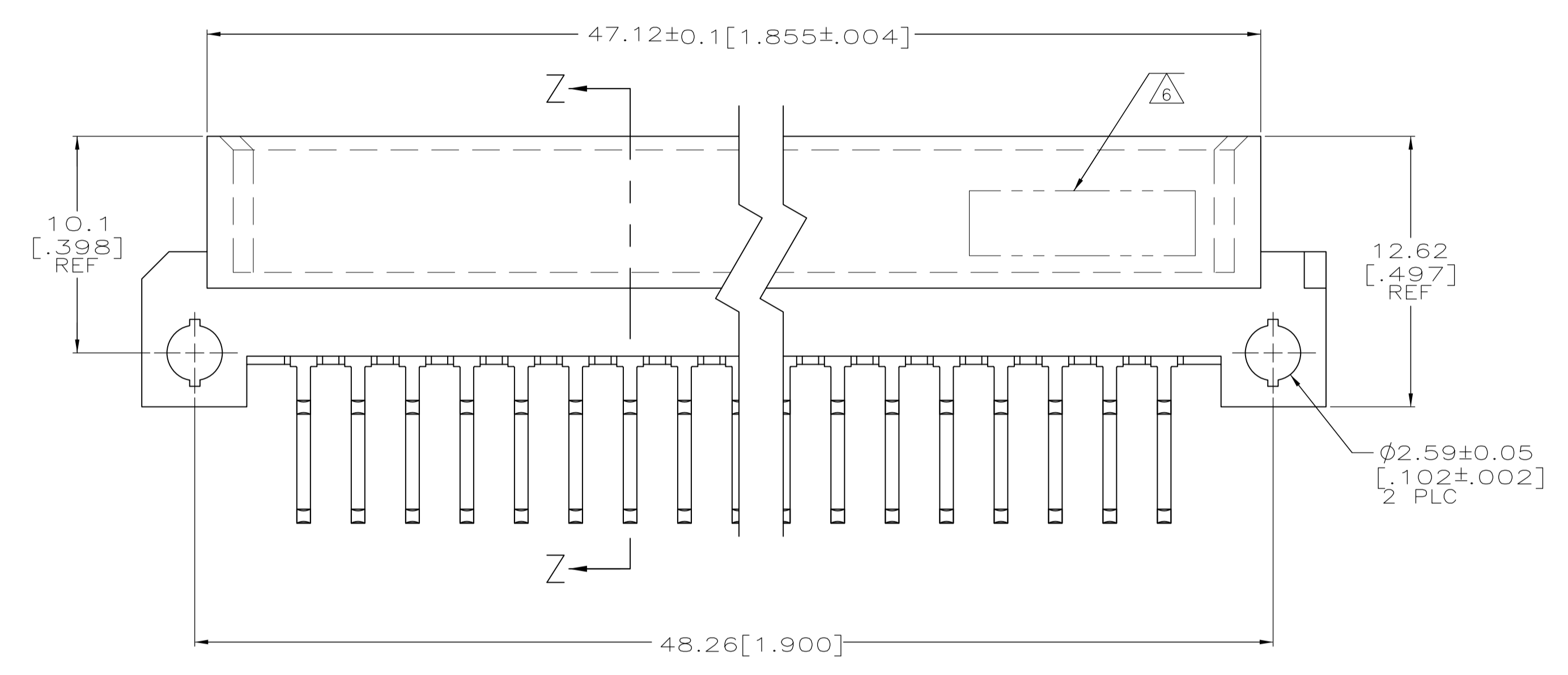
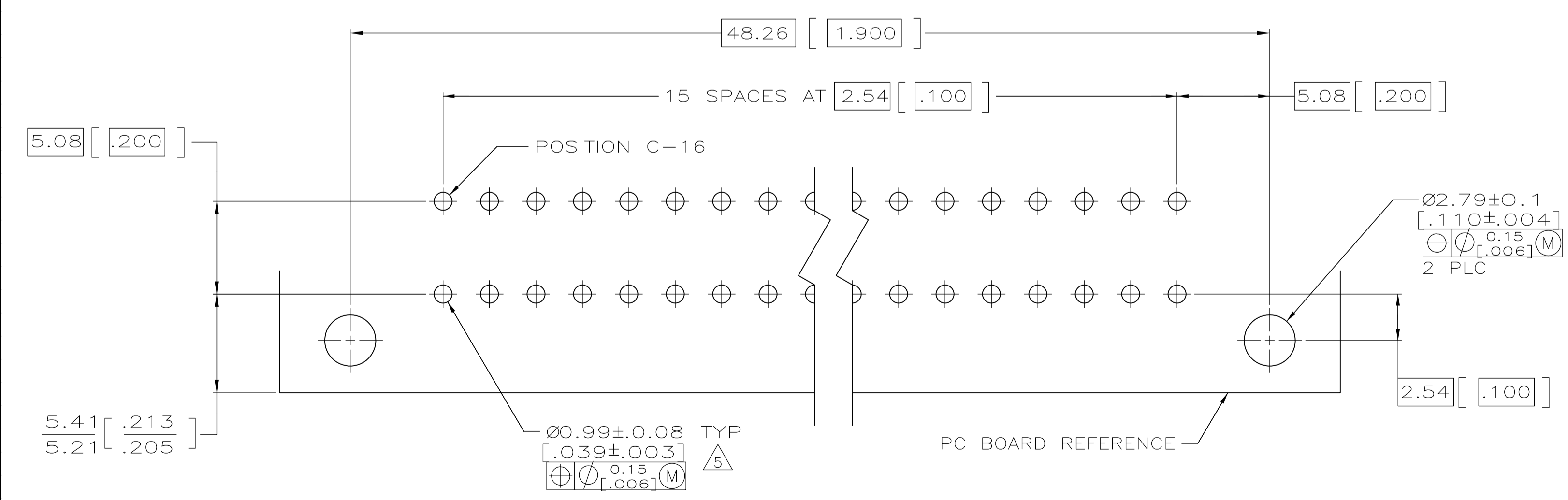
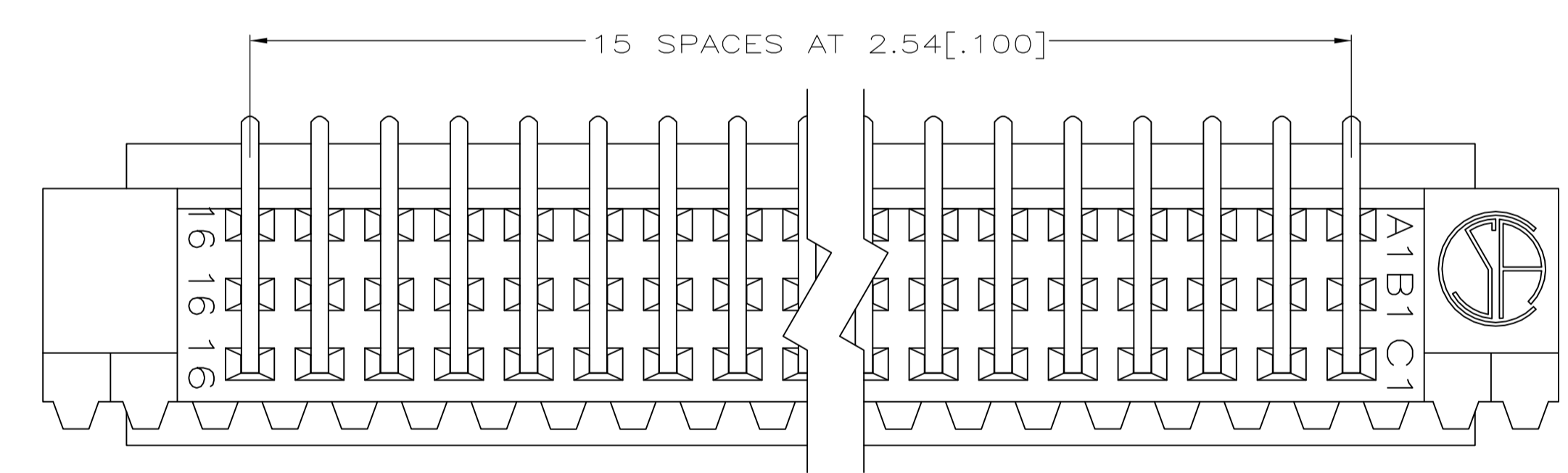


- 1 HOUSING MATERIAL: GLASS-FILLED POLYESTER. COLOR: GRAY.
- 2 POST MATERIAL: BRASS.
- 3 POST FINISH: DIN 41612 CLASS 3 IN CONTACT AREA. TIN-LEAD PLATE ON POSTS.
- 4 POST FINISH: DIN 41612 CLASS 2 IN CONTACT AREA. TIN PLATE ON POSTS.
- 5 RECOMMENDED HOLE SIZE FOR MANUAL APPLICATION OF CONNECTOR ONTO PC BOARD.
- 6 PART NUMBER, DATE CODE MARKED THIS APPROXIMATE AREA.
- 7 MARKING ON THIS SIDE.
- 8 POST FINISH: DIN 41612 CLASS 2 IN CONTACT AREA. TIN PLATE ON POSTS.
- 9 POST FINISH: GOLD FLASH OVER NICKEL UNDERPLATE IN CONTACT AREA. TIN PLATE ON POSTS.



REFERENCE FAMILY DRAWING 650473 FOR ALL TYPE C HEADER OFFERINGS



OBSELETE	8	1-16	X	-	X	32	7-650946-5
SUPERSEDED BY 650946-5	3	1-16	X	-	X	32	650946-9
	4	1-16	X	-	X	32	650946-5
	9	1-16	X	-	X	32	650946-3
NOTES		POSITIONS LOADED	C	B	A	NO. OF LOADED POSITION	ASSY PART NUMBER

THIS DRAWING IS A CONTROLLED DOCUMENT.

DIMENSIONS: mm [INCHES]	TOLERANCES UNLESS OTHERWISE SPECIFIED:	DIN L. BRINER 3/20/91	CHK: D.C. RUBENDALL 3/22/91	TE Connectivity	
0 PLC ± - 1 PLC ± - 2 PLC ± - 3 PLC ± 0.13 [.005] 4 PLC ± - ANGLES ± -	Ø0.99 ± 0.08 [.039 ± .003] TYP Ø2.79 ± 0.1 [.110 ± .004] 2 PLC	APVD: D. RUBENDALL 5/26/92	NAME:	PIN ASSEMBLY, EUROCARD, TYPE 1/2C	
MATERIAL	FINISH	SIZE: A1	CAGE CODE: 00779	DRAWING NO: 650946	RESTRICTED TO: -
CUSTOMER DRAWING		SCALE: 5:1	SHEET: 1 of 1	REV: K	

单击下面可查看定价，库存，交付和生命周期等信息

[>>TE Connectivity\(泰科\)](#)