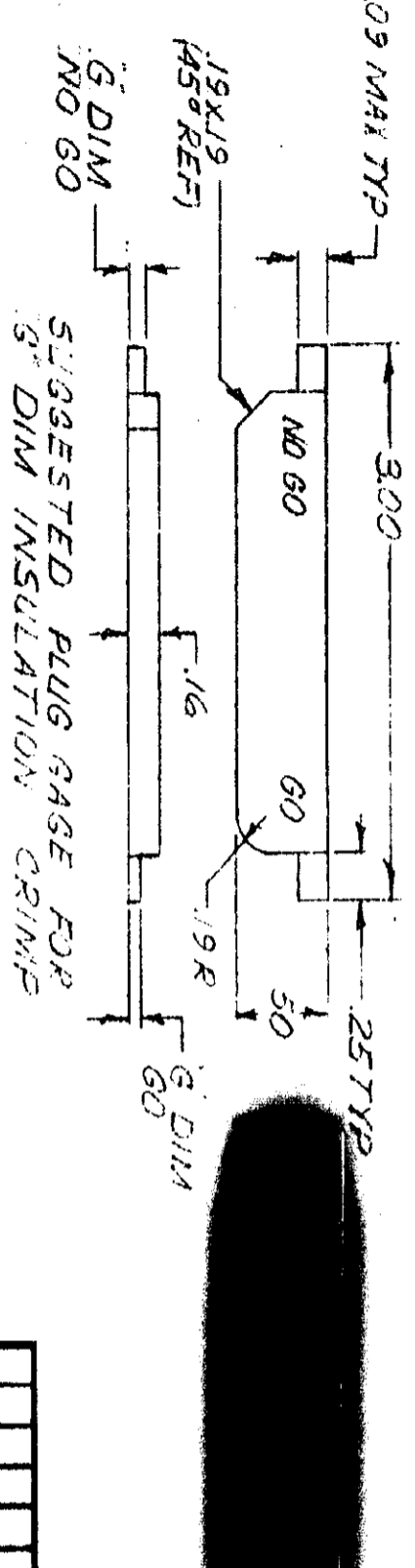
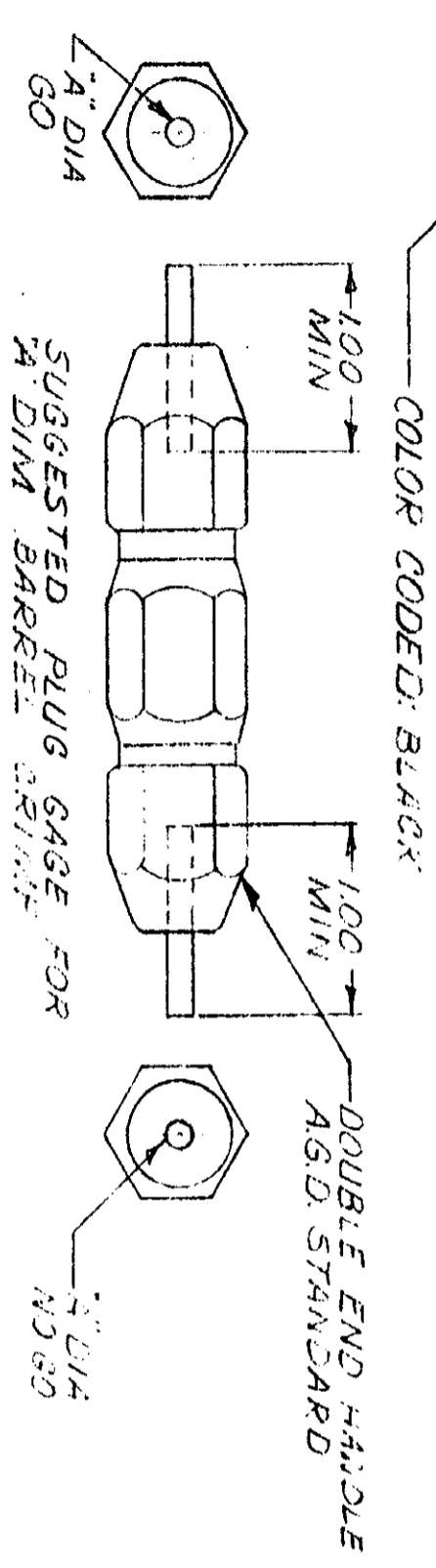
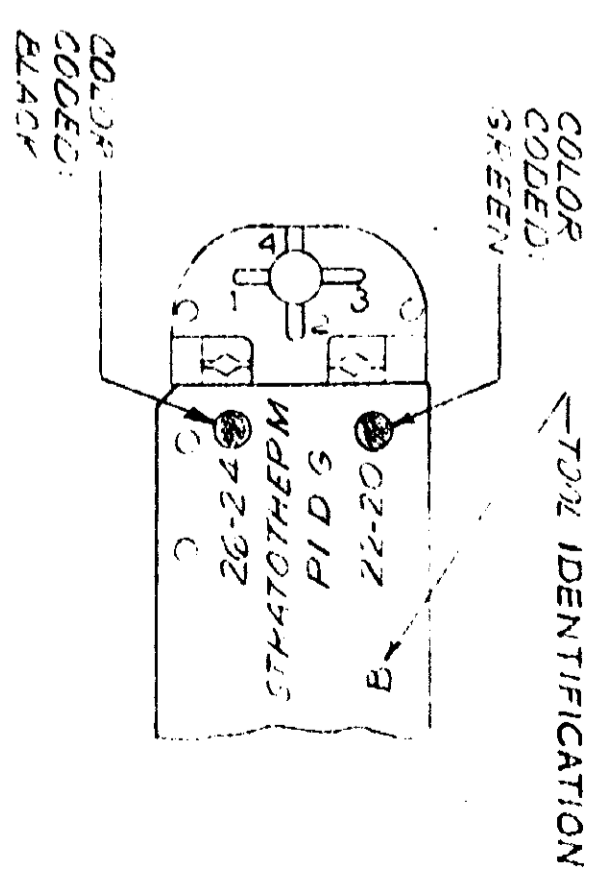
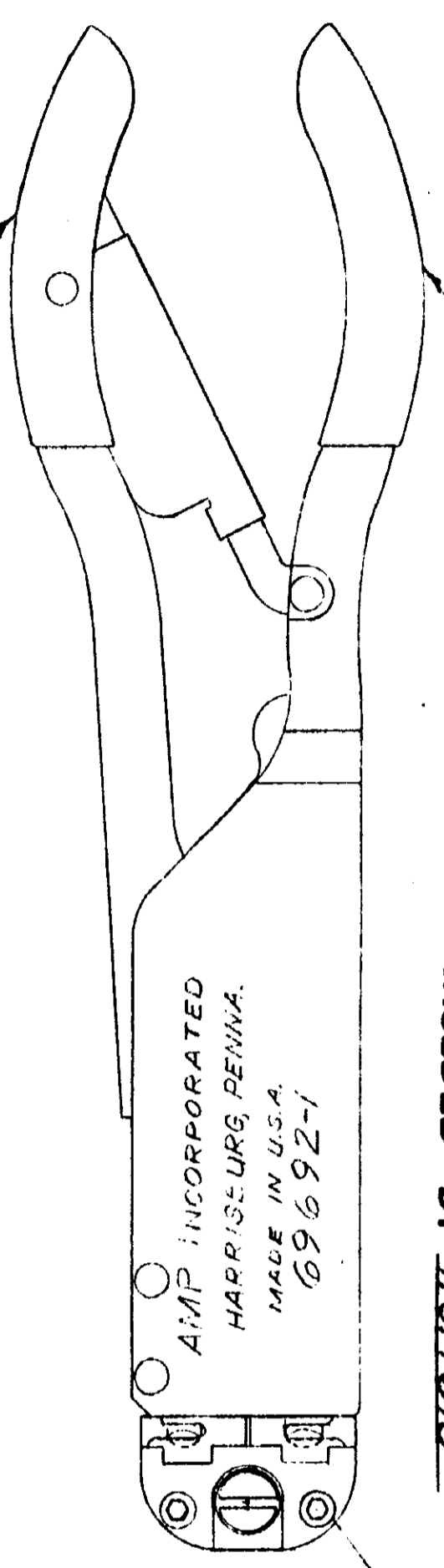
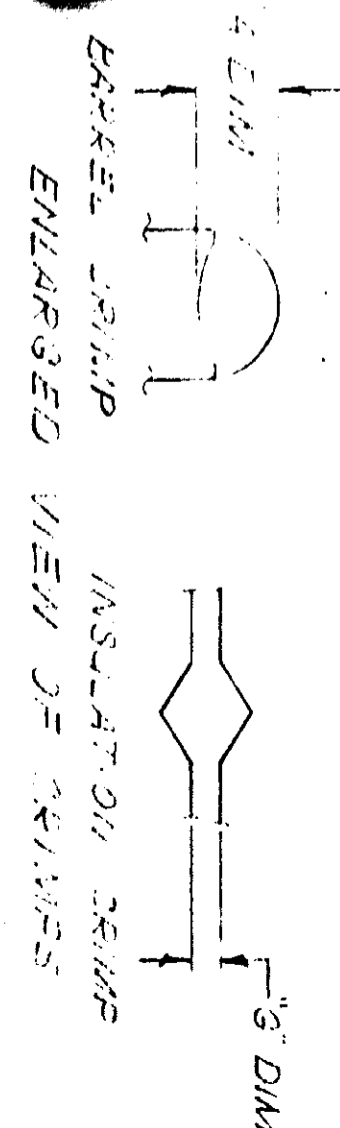


COLOR CODED: GREEN SUPERSEDED BY 1.S.1610



WIRE SIZE	4 DIA BARREL CRIMP	3 DIA INSUL CRIMP
GAGE	GO	NO GO
26-24	0.90	0.94
22-20	1.04	1.08
		0.85
		0.85



PLUG GAGE DIMENSIONS APPLY WHEN TOOL IS BOTTOMED BUT NOT UNDER PRESSURE.

DIMENSIONS IN INCHES. DO NOT SCALE PRINT

REV	BY	DATE	CHK	DATE
B1	SUR BY I.S.1610	ELF	ALF	1-26-69
B	REWORK & REVISED	DR	CHK	DATE

NUMBER	DESCRIPTION
69692-1	

DR	CHK	DATE
ALF	ALF	1-26-69

ITEM NO	NUMBER	NAME	REMARKS
1	59755-1	SUPPORT LOCATOR	
2	1-21002-3	SCREW	

CUSTOMER COPY REFERENCE ONLY

AMP INCORPORATED HARRISBURG, PENNSA.

WIRE RANGE - INSULATION TOLERANCE EXCEPT AS NOTED = 1/16" SCALE

T HEAD ASSEMBLY

REVISED BY 8 7 6 5 4 3 2 1

单击下面可查看定价，库存，交付和生命周期等信息

[>>TE Connectivity\(泰科\)](#)