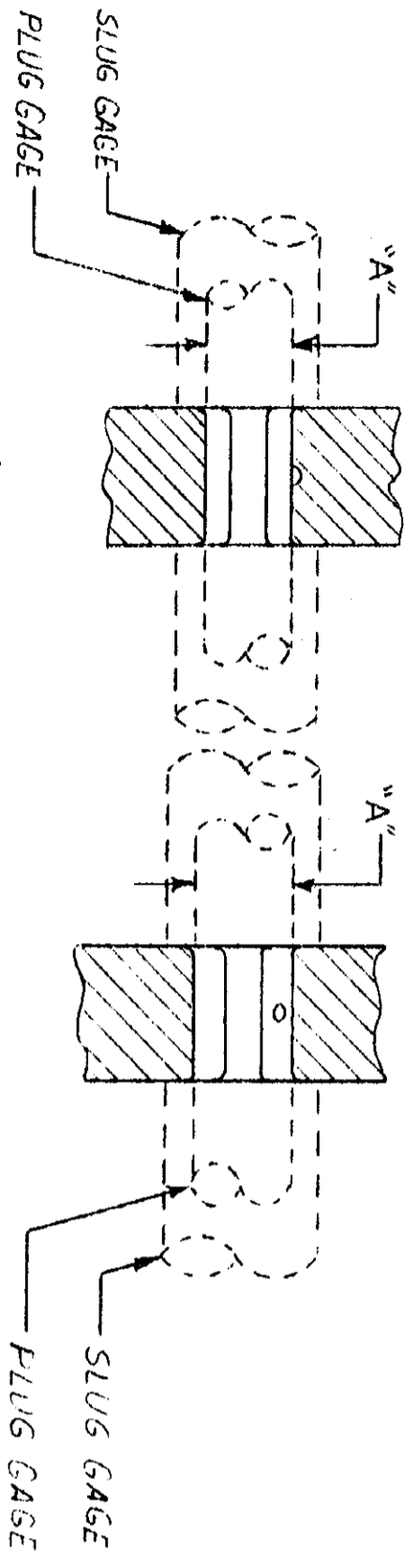
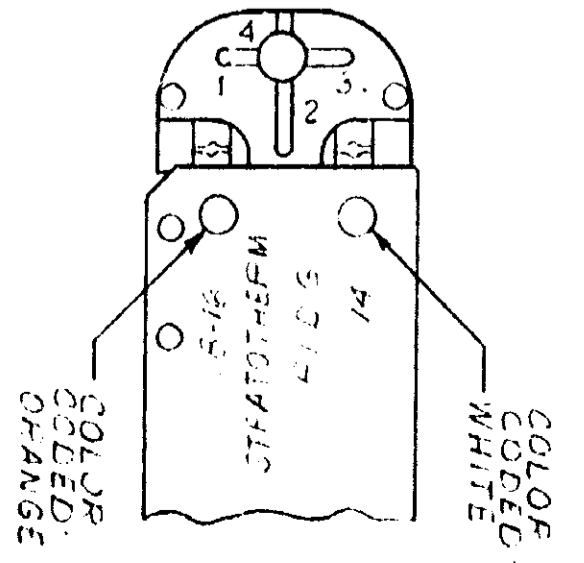
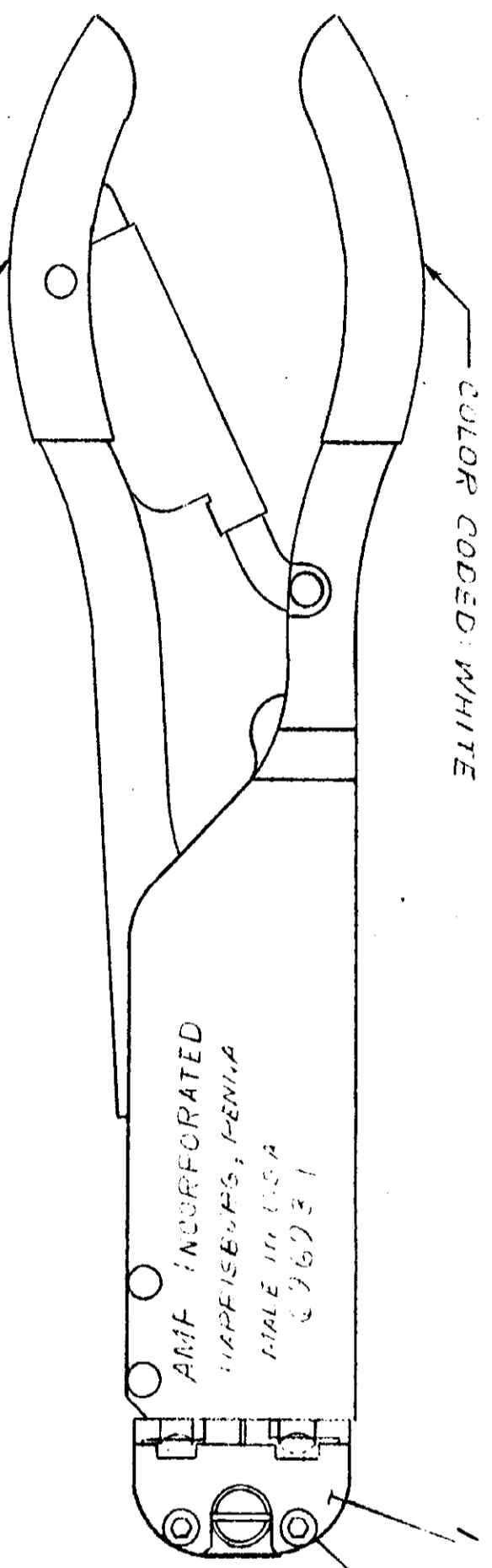
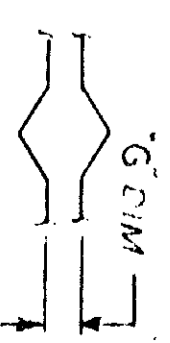
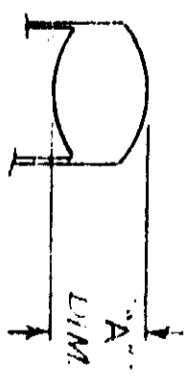


SUPERSEDED BY 1.5.1610



WIRE SIZE	"A" DIM BARREL CRIMP	INSUL CRIMP	"G" DIM
GAGE	GO	NO GO	NO GO
18-16	.131	.134	.030
14	.151	.154	.040
			.110
			.120



18-16 BARREL INSERTS

14 BARREL INSERTS

ITEM NO	QTY	DESCRIPTION	REMARKS
1	1	1-21002-3 SCREW	
2	1	59755-2 SUPPORT-LOCATOR	

NOTES

1. WHEN PLUG OR SLUG GAGING OF BARREL CRIMP IT IS IMPORTANT TO NOTE THAT DIM "A" IS THE FIGURE REQD.

2. SLUG GAGE DIMENSIONS APPLY WHEN WIRE IS BOTTORDED BUT NOT UNDER PRESSURE.

REV	DATE	BY	CHK	DR	REVISION RECORD
01	5/15/61	SLF	SLF	SLF	

REVISION RECORD	DATE	BY	CHK	DR
01	5/15/61	SLF	SLF	SLF

REVISION RECORD	DATE	BY	CHK	DR
01	5/15/61	SLF	SLF	SLF

AMP INCORPORATED
HARRISBURG, PENNA.

CLASS: _____

TYPE: P.I.D.S. STRATOHERM

NO: 69693-1

REV: 01

NAME: T-HEAD ASSEMBLY

DIMENSIONS IN INCHES. DO NOT SCALE PRINT

AMP 855 REV 208 8

7

6

5

4

3

2

1

单击下面可查看定价，库存，交付和生命周期等信息

[>>TE Connectivity\(泰科\)](#)