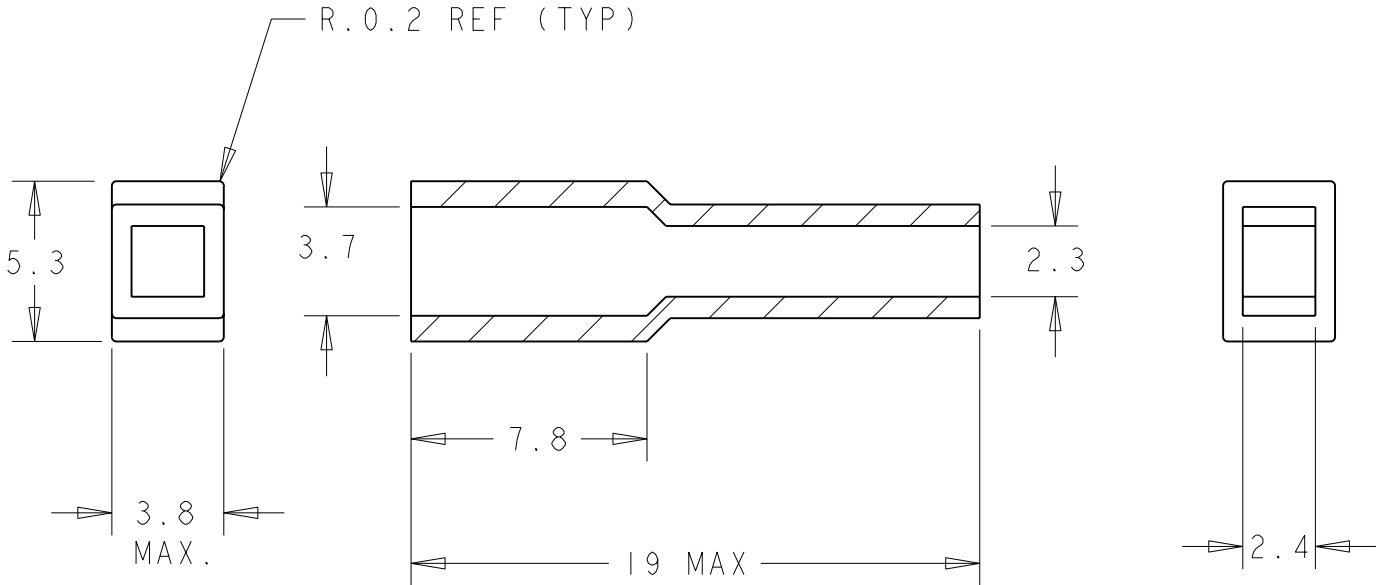


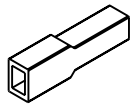
LOC	DIST	REVISIONS				
P	LTR	DESCRIPTION	DATE	DWN	APVD	
AL	2					
	L1	REDRAWN WITHOUT CHANGE	09NOV2007	J.L	J.S	
	L2	REVISED PER ECO-09-025714	17DEC09	KK	AEG	



NOTES: -

1 OBSOLETE PARTS: OBSOLETE CIS STREAMLINING  
PER D.RENAUD/D.SINISI

ALTURA DE ENGASTE  
AISLANTE 2.5MM MAX.



SCALE 1:1

OBSOLETE 1	NARANJA	735052-9
	VIOLETA	735052-8
	GRIS	735052-7
	MARRON	735052-6
	NEGRO	735052-5
	AMARILLO	735052-4
OBSOLETE	AZUL	735052-3
	VERDE	735052-2
	ROJO	735052-1
	NATURAL	735052-0
	COLOR	REFERENCIA

20  
RELEASED FOR PUBLICATION

THIS DRAWING IS UNPUBLISHED.

BY TYCO ELECTRONICS CORPORATION. ALL RIGHTS RESERVED.  
COPYRIGHT 20

DIMENSIONS: mm	DWN J.Lazaro 09NOV2007	MATERIAL POLIETILENO	FINISH -
TOLERANCES UNLESS OTHERWISE SPECIFIED:	CHK J.Salo 09NOV2007	Tyco Electronics AMP ESPAÑOLA S.A. Barcelona / España	
0 PLC ±GENERAL	APVD L.Batillo 09NOV2007	NAME PROTECTOR FASTON MINIATURA	
1 PLC ±TOLERANCE	PRODUCT SPEC -	SIZE A4	CAGE CODE 00779
2 PLC ±± 0.2	APPLICATION SPEC -	DRAWING NO C-735052	RESTRICTED TO -
3 PLC ±	WEIGHT -	SCALE 4:1	
4 PLC ±		SHEET 1 OF 1	
ANGLES ±		REV L2	
CUSTOMER DRAWING			

单击下面可查看定价，库存，交付和生命周期等信息

[>>TE Connectivity\(泰科\)](#)