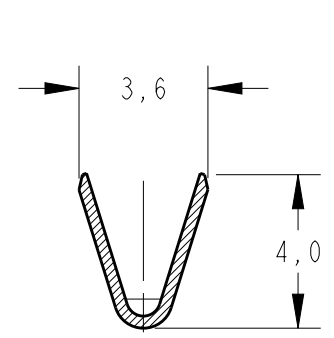
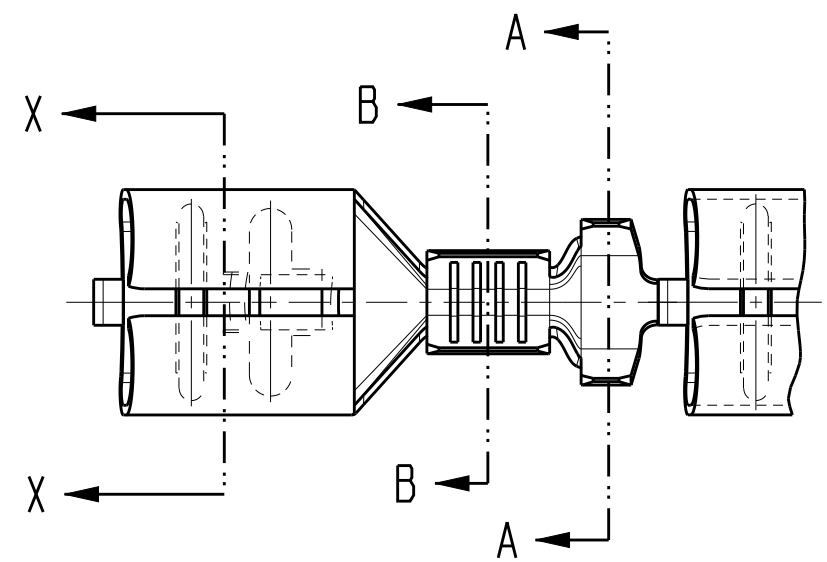
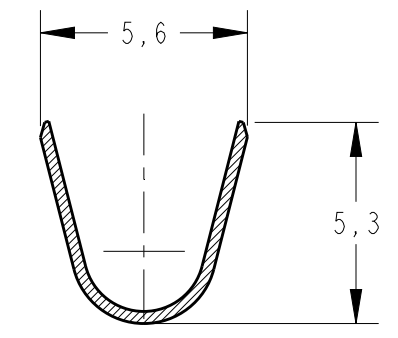


THIS DRAWING IS UNPUBLISHED. RELEASED FOR PUBLICATION 2012
 © COPYRIGHT 2012 BY TE CONNECTIVITY ALL RIGHTS RESERVED.

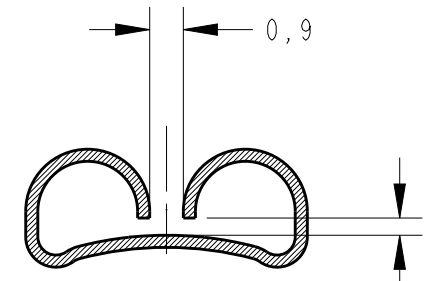
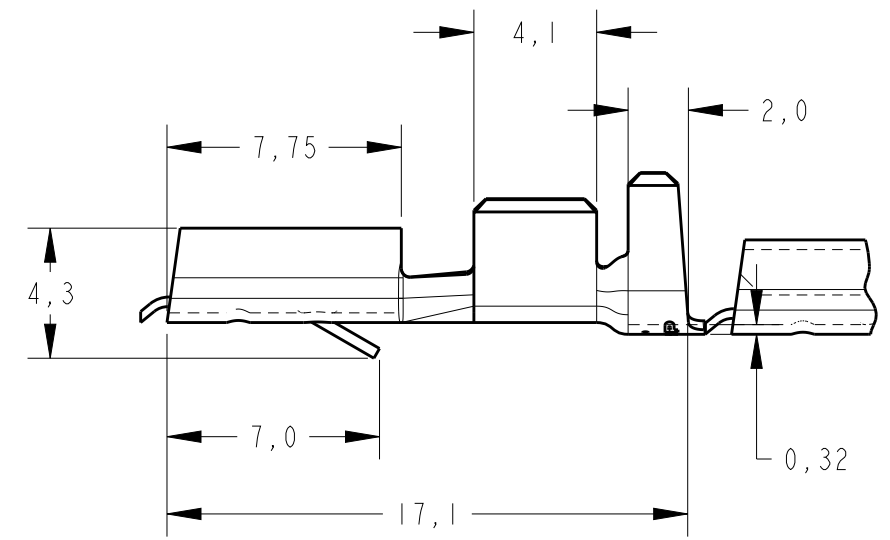
LOC	DIST	REVISIONS				
P	LTR	DESCRIPTION	DATE	DWN	APVD	
AP	-					
	F3	REDRAW BY CAD ECO-12-014149	27AUG2012	NCL	DAO	
	F4	REVISED BY ECO 16-003725	23JUN2016	HC	WLS	



SECTION B-B
SCALE 5:1



SECTION A-A
SCALE 5:1



SECTION X-X
SCALE 5:1

PARA LINGUETA DE 0,8mm ESPESSURA FOR 0,8mm TAB

OBSOLETE	PLATEADO/SILVER PLATED	BRONZE FOSF./PHOSP BRONZE	735222 -6
OBSOLETE	PLATEADO/SILVER PLATED	LATÃO / BRASS	735222 -5
OBSOLETE	ESTANHADO / TIN PLATED	BRONZE FOSF./PHOSP BRONZE	735222 -4
OBSOLETE		BRONZE FOSF./PHOSP BRONZE	735222 -3
	ESTANHADO / TIN PLATED	LATÃO / BRASS	735222 -2
		LATÃO / BRASS	735222 -1
	FINISH	MATERIAL	PART NUMBER

INS. RANGE	WIRE RANGE
Ø 3,0-4,3mm	1,0-2,5mm ²

THIS DRAWING IS A CONTROLLED DOCUMENT.

DWN	NCLAPRESA	13JUL2012	TE Connectivity								
CHK	JRGOLDSCHMIDT	13JUL2012									
APVD	DAOLIVEIRA	13JUL2012									
NAME	-										
DIMENSIONS:	TOLERANCES UNLESS OTHERWISE SPECIFIED:		PRODUCT SPEC 108-37015 APPLICATION SPEC 114-18022								
mm	0 PLC ±-	±0,3									
	1 PLC ±-	±-	SIZE	A3	CAGE CODE	00779	DRAWING NO	735222	RESTRICTED TO	-	
	2 PLC ±-	±-	WEIGHT	-	SCALE	-	SHEET	1	OF	1	
	3 PLC ±-	±-	MATERIAL	SEE TABLE	FINISH	SEE TABLE	Customer Drawing			REV	F4
	4 PLC ±-	±°									

PERSPECTIVE VIEW
SCALE 2:1

单击下面可查看定价，库存，交付和生命周期等信息

[>>TE Connectivity\(泰科\)](#)