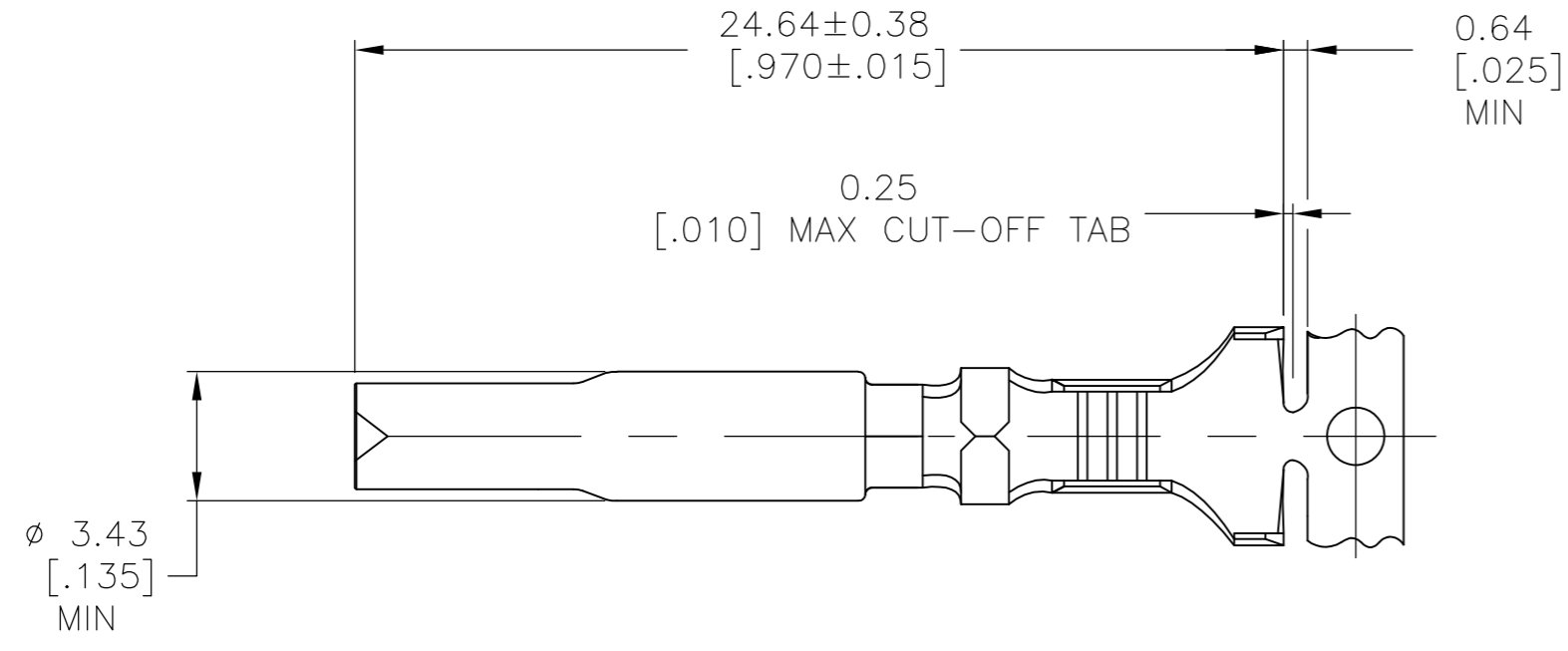
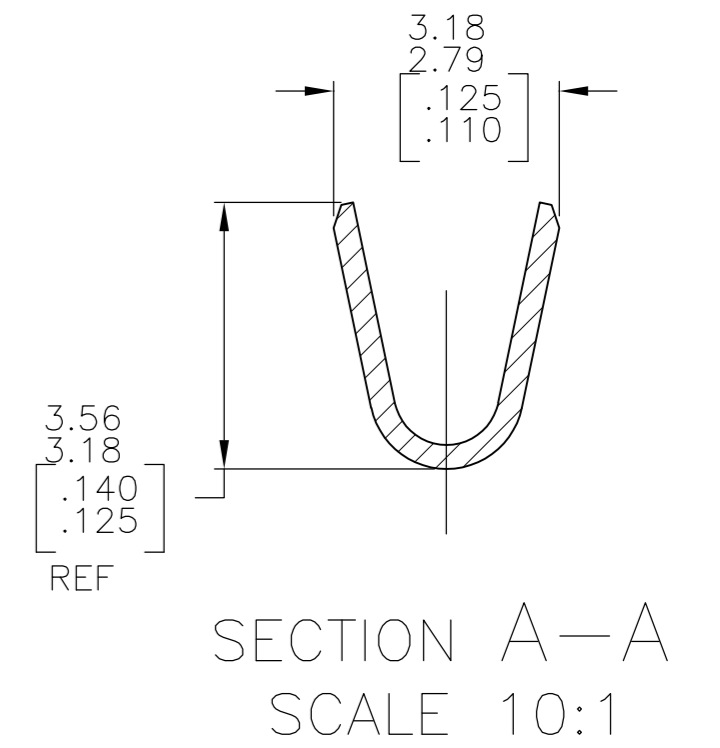
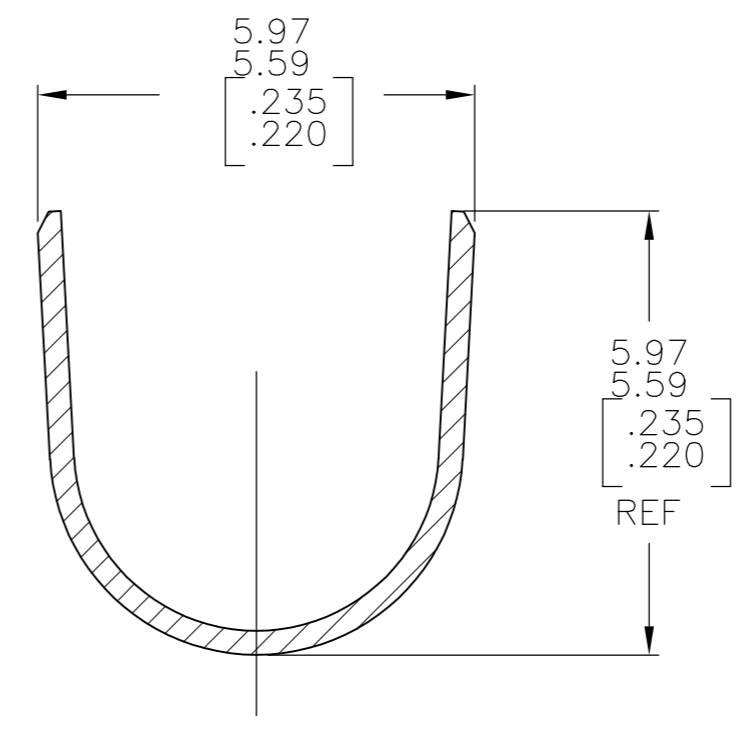
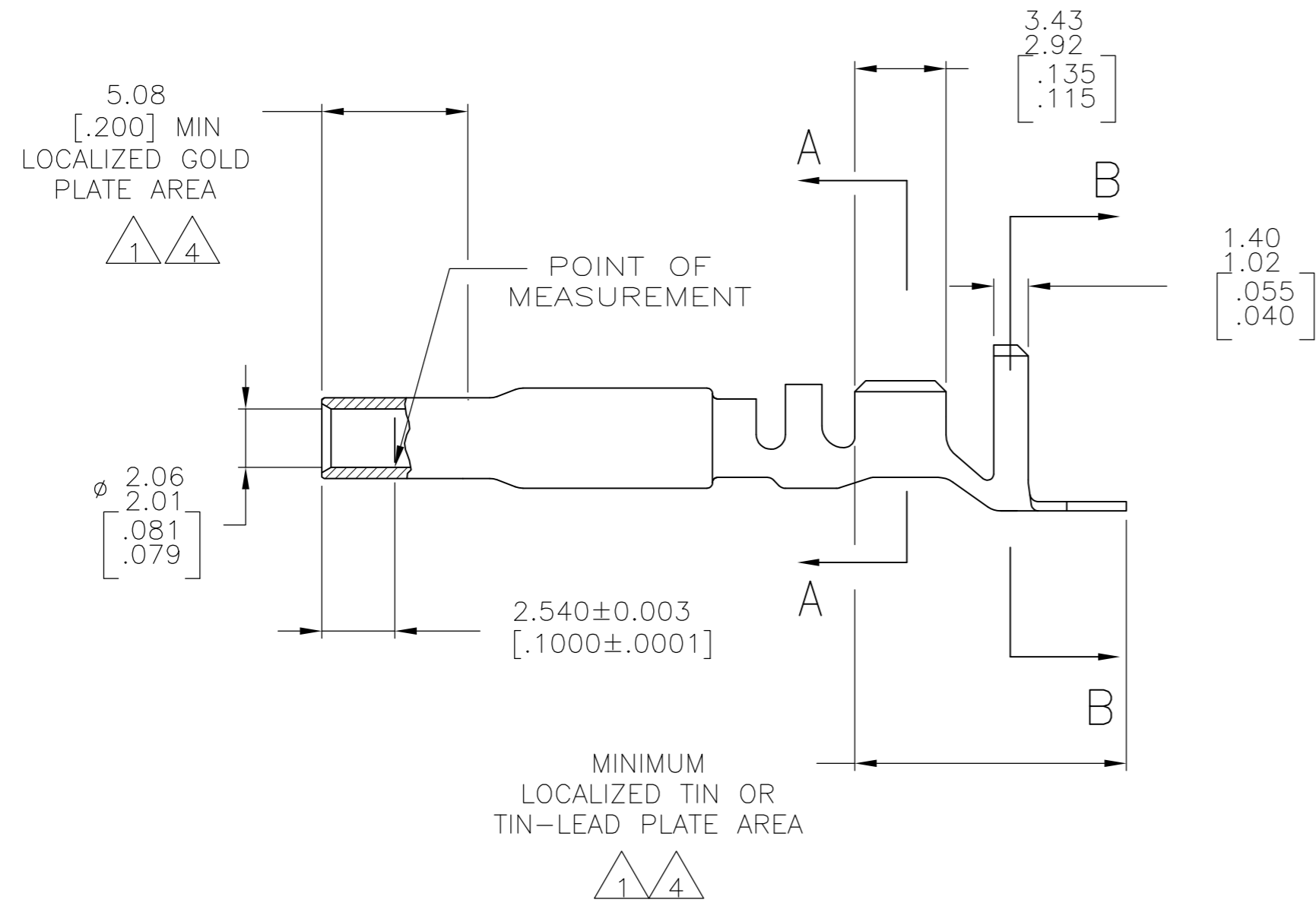


THIS DRAWING IS UNPUBLISHED. RELEASED FOR PUBLICATION
 © COPYRIGHT - By - ALL RIGHTS RESERVED.

LOC		DIST		REVISIONS			
P	LTR	DESCRIPTION		DATE	DWN	APVD	
CM	00	G1	REVISED PER ECO-11-004917		11MAR11	RK	HMR



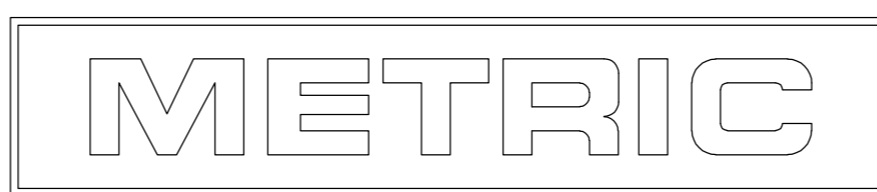
- 1. 0.00076[.000030] MIN GOLD AT POINT OF MEASUREMENT IN THE LOCALIZED GOLD PLATE AREA, 0.00127[.000050] MIN TIN-LEAD IN TIN-LEAD PLATE AREA, 0.00127[.000050] MIN NICKEL UNDERPLATE ON ENTIRE CONTACT.
- 2. WIRE RANGE: .5-2mm² [20-14 AWG].
INSULATION RANGE: 3.30-5.08[.130-.200] DIA.
- 3. DIMENSIONS IN BRACKETS ARE IN INCHES.
- 4. 0.00076[.000030] MIN GOLD AT POINT OF MEASUREMENT IN THE LOCALIZED GOLD PLATE AREA, 0.00127[.000050] MIN MATTE TIN IN MATTE TIN PLATE AREA, 0.00127[.000050] MIN NICKEL UNDERPLATE ON ENTIRE CONTACT.



FINISH	MATERIAL	PART NUMBER
GOLD 4	0.30[.012] PH BRZ	1-770006-0
GOLD 1	0.30[.012] PH BRZ	770006-4
PRE-TIN	0.30[.012] PH BRZ	770006-3

THIS DRAWING IS A CONTROLLED DOCUMENT.

DIMENSIONS: mm [INCHES]	TOLERANCES UNLESS OTHERWISE SPECIFIED: 0 PLC ± - 1 PLC ± - 2 PLC ± - 3 PLC ± - 4 PLC ± - ANGLES ± -	DWN S.CARPENTER 11AUG03 CHK C.JONES 11AUG03 APVD C.JONES 11AUG03 PRODUCT SPEC APPLICATION SPEC	TE Connectivity SOCKET, UNIVERSAL MATE-N-LOK(TM) II	
MATERIAL SEE TABLE	FINISH SEE TABLE	WEIGHT -	SIZE A2	CAGE CODE 00779
CUSTOMER DRAWING		SCALE 4:1	SHEET 1 of 1	REV G1



单击下面可查看定价，库存，交付和生命周期等信息

[>>TE Connectivity\(泰科\)](#)