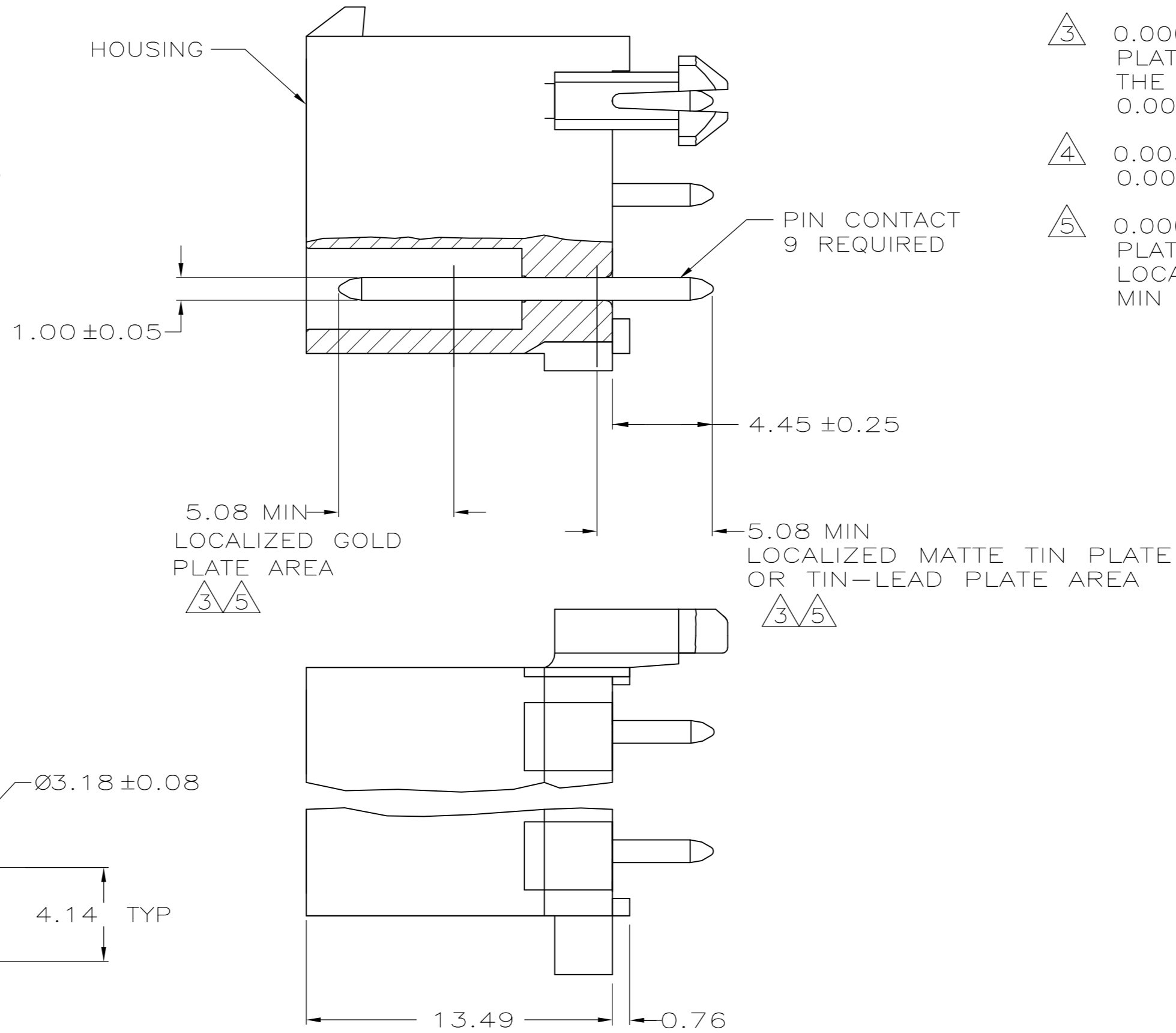
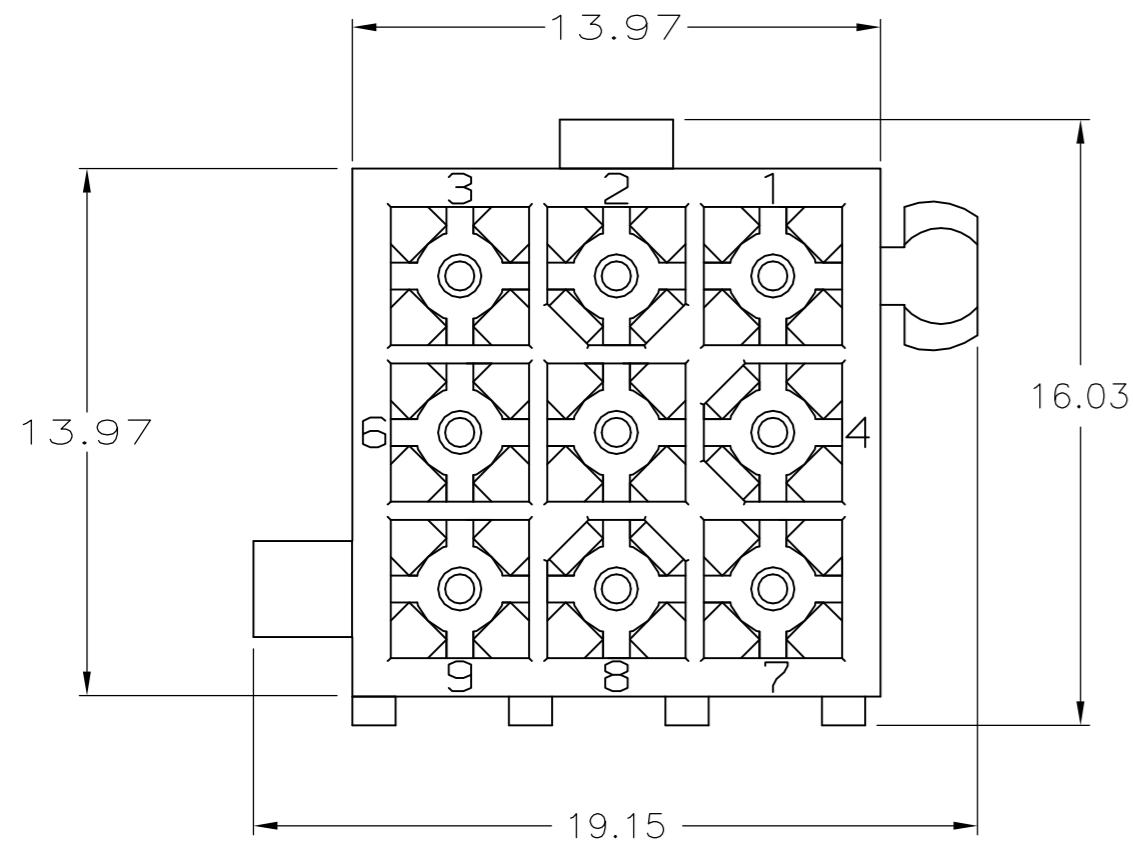
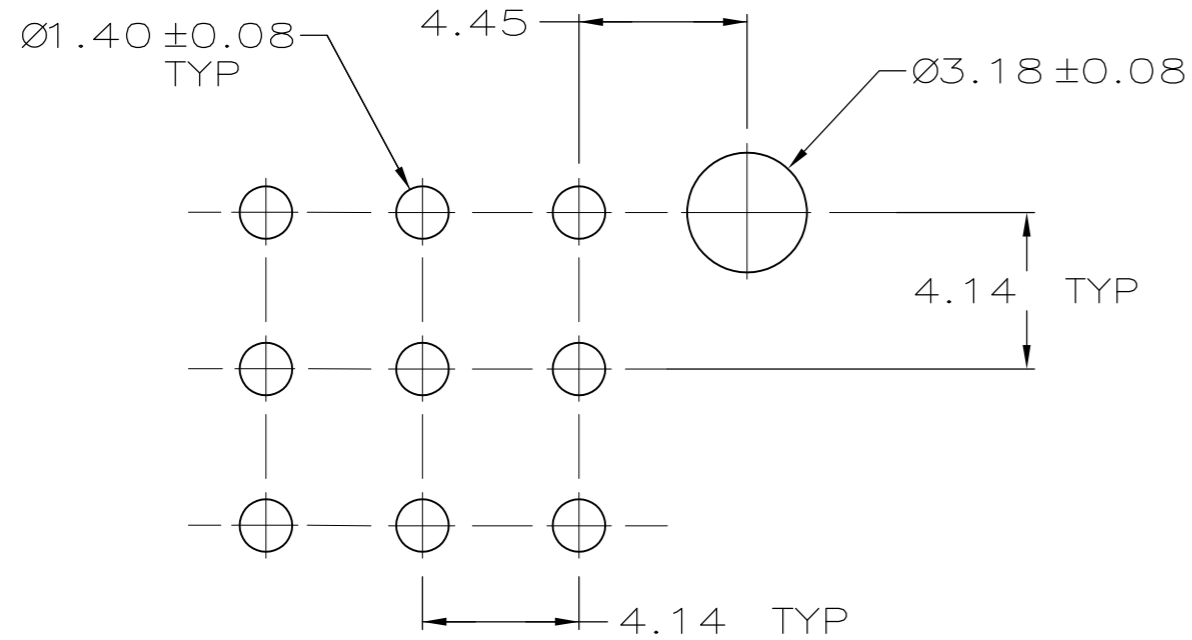


THIS DRAWING IS UNPUBLISHED. RELEASED FOR PUBLICATION
 © COPYRIGHT - By - ALL RIGHTS RESERVED.

LOC		DIST		REVISIONS			
P	LTR	DESCRIPTION		DATE	DWN	APVD	
CM	0	M	REVISED PER ECR-15-010337	22JUL2015	RK	SC	



- PINS TO COMPLY WITH AMP SOLDERABILITY SPEC. 109-11-3.
- 0.00381 MIN MATTE TIN LEAD PLATE OVER 0.00127 MIN NICKEL.
- 0.00076 MIN GOLD PLATE IN THE LOCALIZED PLATE AREA, 0.00381 MATTE TIN LEAD IN THE LOCALIZED PLATE AREA, BOTH OVER 0.00127 MIN NICKEL.
- 0.00381 MIN MATTE TIN PLATE OVER 0.00127 MIN NICKEL.
- 0.00076 MIN GOLD PLATE IN THE LOCALIZED PLATE AREA, 0.00381 MATTE TIN IN THE LOCALIZED PLATE AREA, BOTH OVER 0.00127 MIN NICKEL.



RECOMMENDED LAYOUT FOR 1.57 THICK BOARD
 TOLERANCES NON-ACCUMULATIVE

BRASS, GOLD	5	NYLON, UL94V-0	WHITE	1-770182-1
BRASS, TIN	4	NYLON, UL94V-0	WHITE	1-770182-0
BRASS, GOLD	3	NYLON, UL94V-0	WHITE	770182-2
BRASS, TIN-LEAD	2	NYLON, UL94V-0	WHITE	770182-1
MATERIAL	FINISH	MATERIAL	COLOR	PART NO.

DIMENSIONS:		TOLERANCES UNLESS OTHERWISE SPECIFIED:		PIN		HOUSING	
mm		0 PLC	± -	DWN	S CARPENTER	08JUN05	
		1 PLC	± -	CHK	R JONES	28JUL2003	
		2 PLC	± 0.13	APVD	R JONES	28JUL2003	
		3 PLC	± -	PRODUCT SPEC			
		4 PLC	± -	APPLICATION SPEC			
		ANGLES	± -	WEIGHT			
MATERIAL		FINISH		CUSTOMER DRAWING			

SIZE	CAGE CODE	DRAWING NO	RESTRICTED TO
A2	00779	C=770182	-

SCALE	SHEET	REV
5:1	1 of 1	M

单击下面可查看定价，库存，交付和生命周期等信息

[>>TE Connectivity\(泰科\)](#)