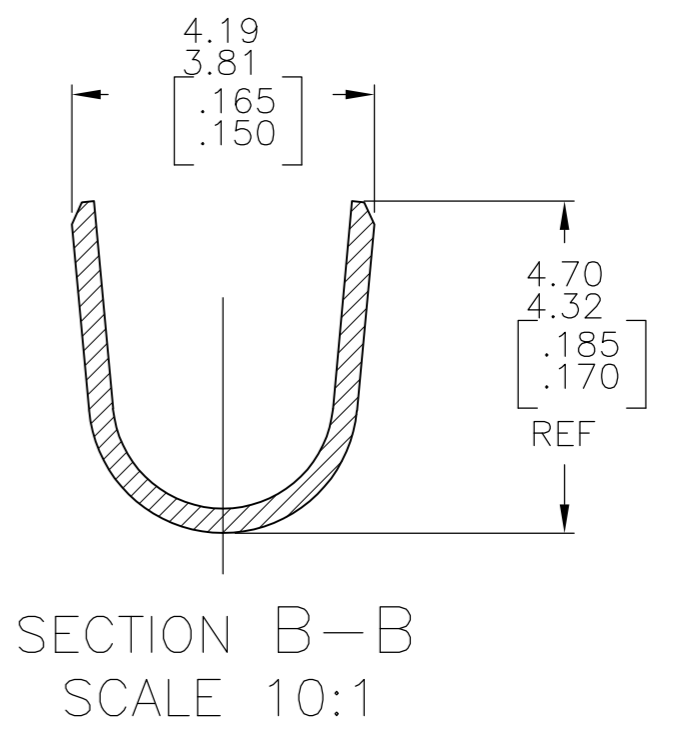
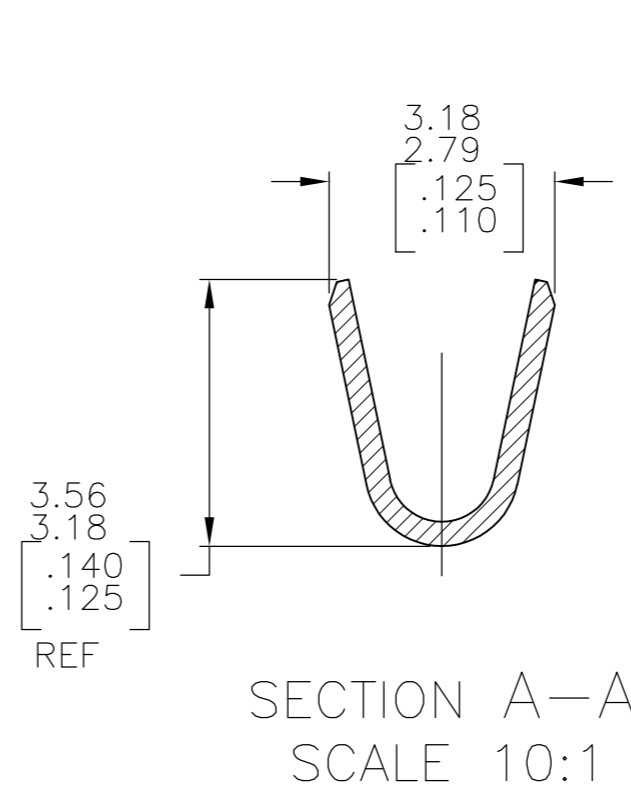
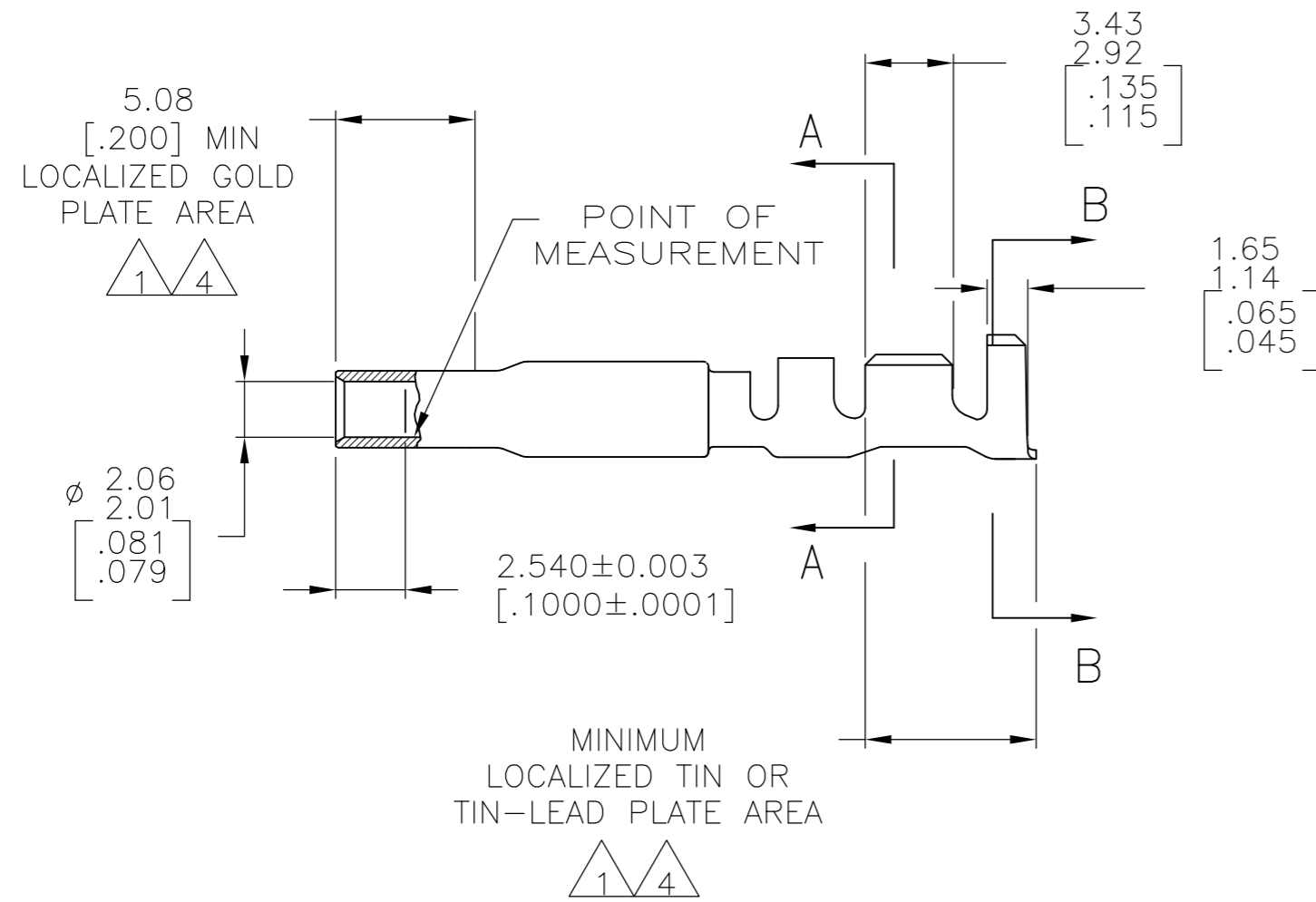
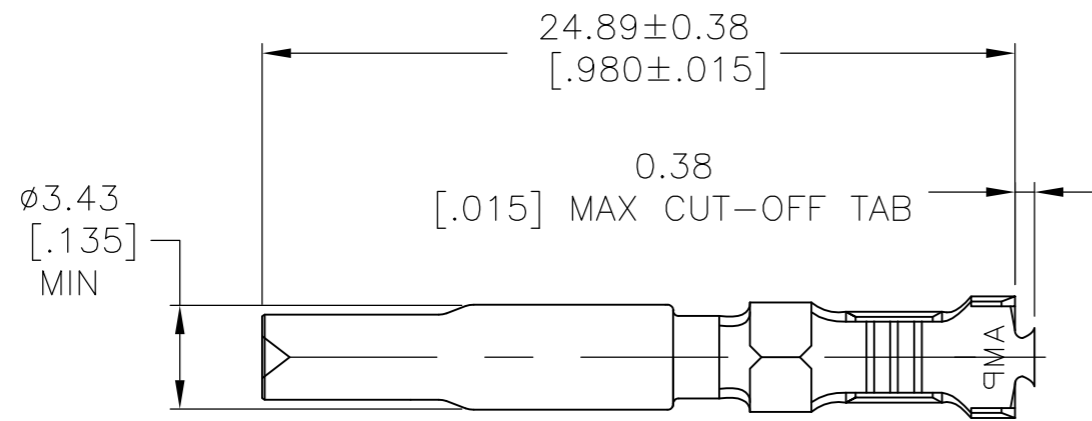


THIS DRAWING IS UNPUBLISHED. RELEASED FOR PUBLICATION
 © COPYRIGHT - By - ALL RIGHTS RESERVED.

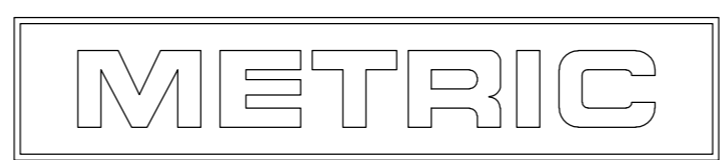
LOC		DIST		REVISIONS			
P	LTR	DESCRIPTION		DATE	DWN	APVD	
CM	0	C1	REVISED PER ECO-11-004820	11MAR11	RK	HMR	



- 1. 0.00076[.000030] MIN GOLD AT POINT OF MEASUREMENT IN THE LOCALIZED GOLD PLATE AREA, 0.00127[.000050] MIN TIN-LEAD IN TIN-LEAD PLATE AREA, 0.00127[.000050] MIN NICKEL UNDERPLATE ON ENTIRE CONTACT.
- 2. WIRE RANGE: .5-2mm² [20-14 AWG]. INSULATION RANGE: 1.52-3.30[.060-.130] DIA.
- 3. DIMENSIONS IN BRACKETS ARE IN INCHES.
- 4. 0.00076[.000030] MIN GOLD AT POINT OF MEASUREMENT IN THE LOCALIZED GOLD PLATE AREA, 0.00127[.000050] MIN TIN IN TIN PLATE AREA, 0.00127[.000050] MIN NICKEL UNDERPLATE ON ENTIRE CONTACT.

GOLD Δ_4	0.30 [.012]	PH BRZ	1-770251-0
GOLD Δ_1	0.30 [.012]	PH BRZ	770251-4
PRE-TIN	0.30 [.012]	PH BRZ	770251-3
FINISH	MATERIAL		PART NO

THIS DRAWING IS A CONTROLLED DOCUMENT.		DWN K. SALMON 20JAN93	STE TE Connectivity		
DIMENSIONS: mm [INCHES]		CHK R. SWING 20JAN93			
TOLERANCES UNLESS OTHERWISE SPECIFIED:		APVD M. TRULL 01APR93	NAME SOCKET, LOOSE PIECE, UNIVERSAL MATE-N-LOK(TM) II		
0 PLC ± - 1 PLC ± - 2 PLC ± - 3 PLC ± - 4 PLC ± - ANGLES ± -		PRODUCT SPEC APPLICATION SPEC	SIZE A2	CAGE CODE 00779	DRAWING NO C=770251
MATERIAL SEE TABLE		FINISH SEE TABLE	WEIGHT -	RESTRICTED TO -	SCALE 4:1
CUSTOMER DRAWING			SHEET 1 OF 1	REV C1	



单击下面可查看定价，库存，交付和生命周期等信息

[>>TE Connectivity\(泰科\)](#)