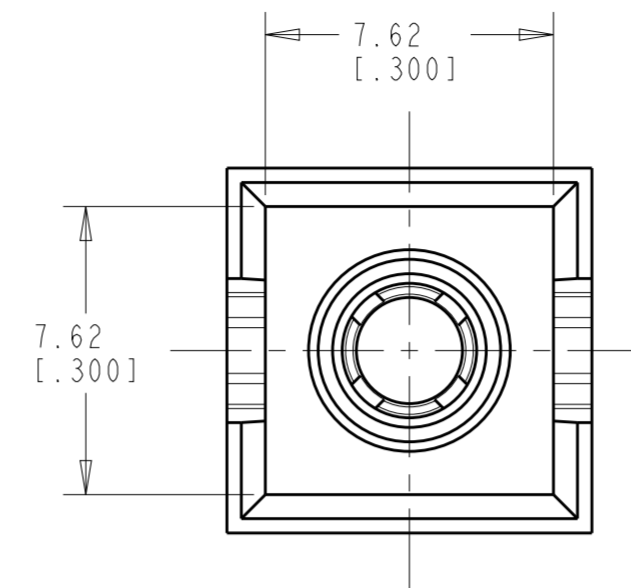
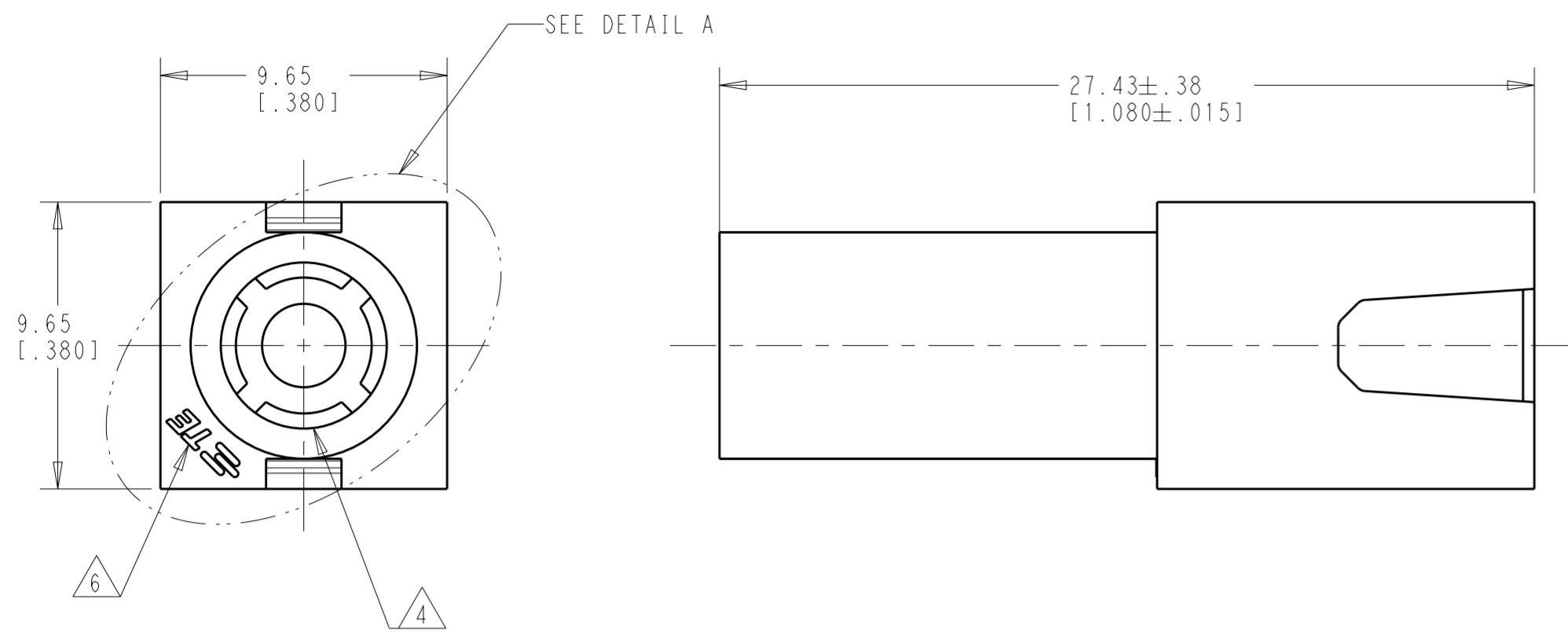
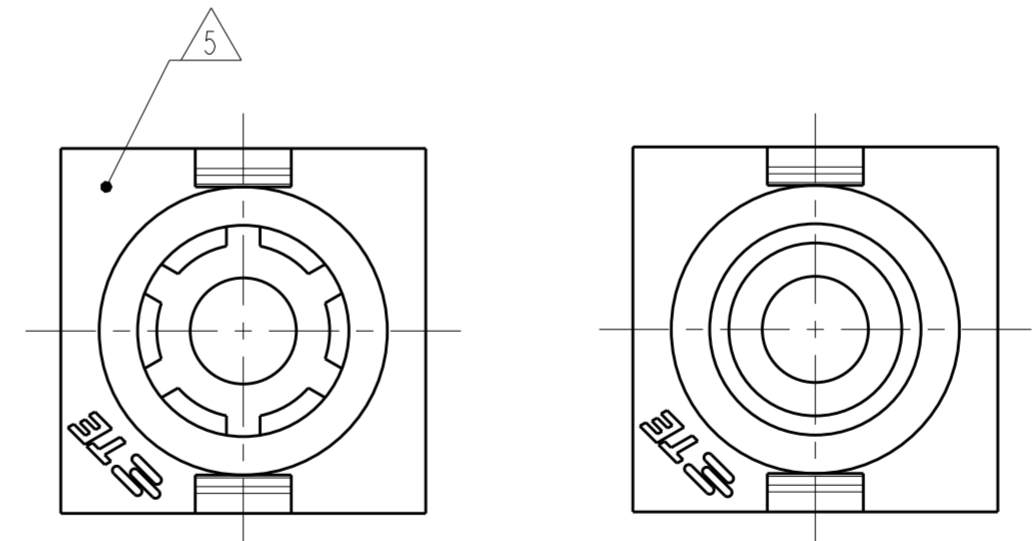
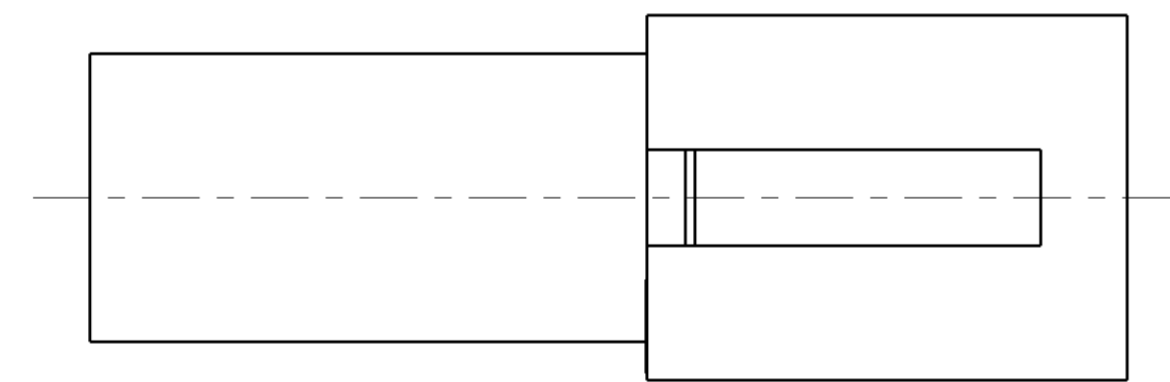


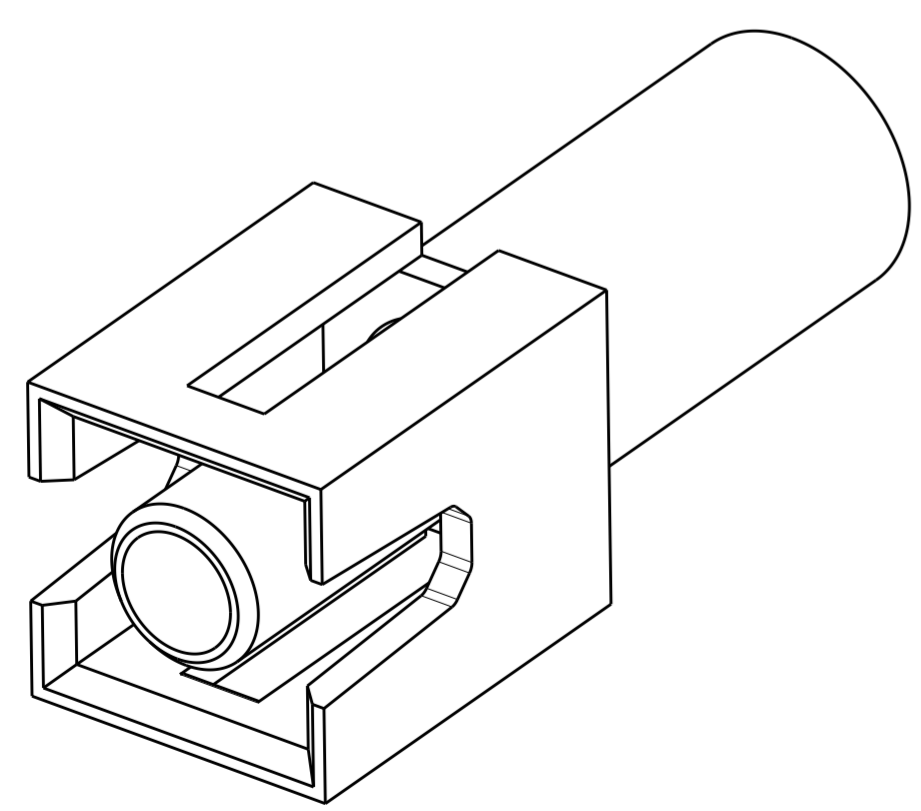
P	LTR	DESCRIPTION	DATE	DWN	APVD
J3		REDRAWN PER ECO-19-005708	07MAY2019	BKW	SF



1. MATES HOUSING 350867.
2. DIMENSIONS IN BRACKETS ARE IN INCHES.
3. DIMENSIONS SHOWN REPRESENT PRODUCT IN DRY, AS MOLDED, CONDITION. ADDITIONAL 2% GROWTH DUE TO SUBSEQUENT MOISTURE ABSORPTION MAY OCCUR AND SHOULD BE ACCOUNTED FOR.
4. FOUR RIBS EQUALLY SPACED, NO SPECIFIC ORIENTATION. NO RIBS OR SIX RIBS EQUALLY SPACED, NO SPECIFIC ORIENTATION, OPTIONAL.
5. CSA CERTIFICATION LOGO LOCATED APPROXIMATELY AS SHOWN.
6. TRADEMARK LOCATION: AMP OR TE



DETAIL A
OPTIONAL CONSTRUCTIONS



NATURAL	770421-1
COLOR	PART NUMBER

THIS DRAWING IS A CONTROLLED DOCUMENT.		DWN B. WEAVER 07MAY2019	TE Connectivity	
DIMENSIONS: mm [IN]		CHK S. FERNANDES 07MAY2019		
TOLERANCES UNLESS OTHERWISE SPECIFIED:		APVD T. BENCHOFF 07MAY2019	NAME CAP, SINGLE CIRCUIT UNIVERSAL MATE-N-LOK	
0 PLC ±	1 PLC ±	PRODUCT SPEC	RESTRICTED TO	
2 PLC ±0.13 [0.005]	3 PLC ±	APPLICATION SPEC	SIZE A2	CAGE CODE 00779
4 PLC ±	ANGLES ±	WEIGHT	DRAWING NO C-770421	SCALE 5:1
MATERIAL NYLON UL94 V-2	FINISH	CUSTOMER DRAWING	SHEET 1	OF 1
			REV J3	

单击下面可查看定价，库存，交付和生命周期等信息

[>>TE Connectivity\(泰科\)](#)