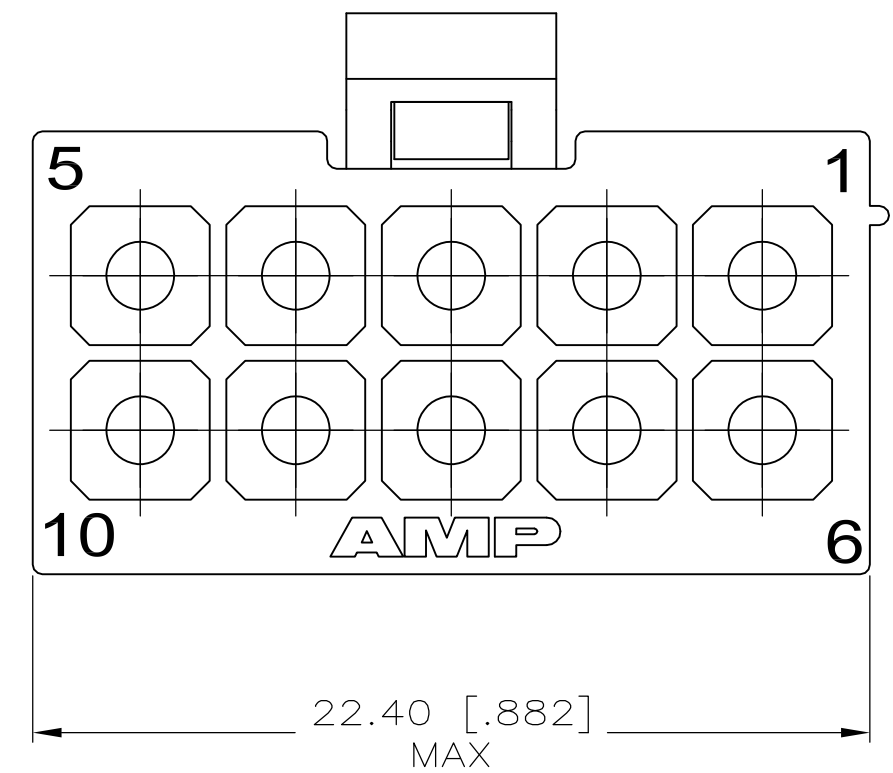
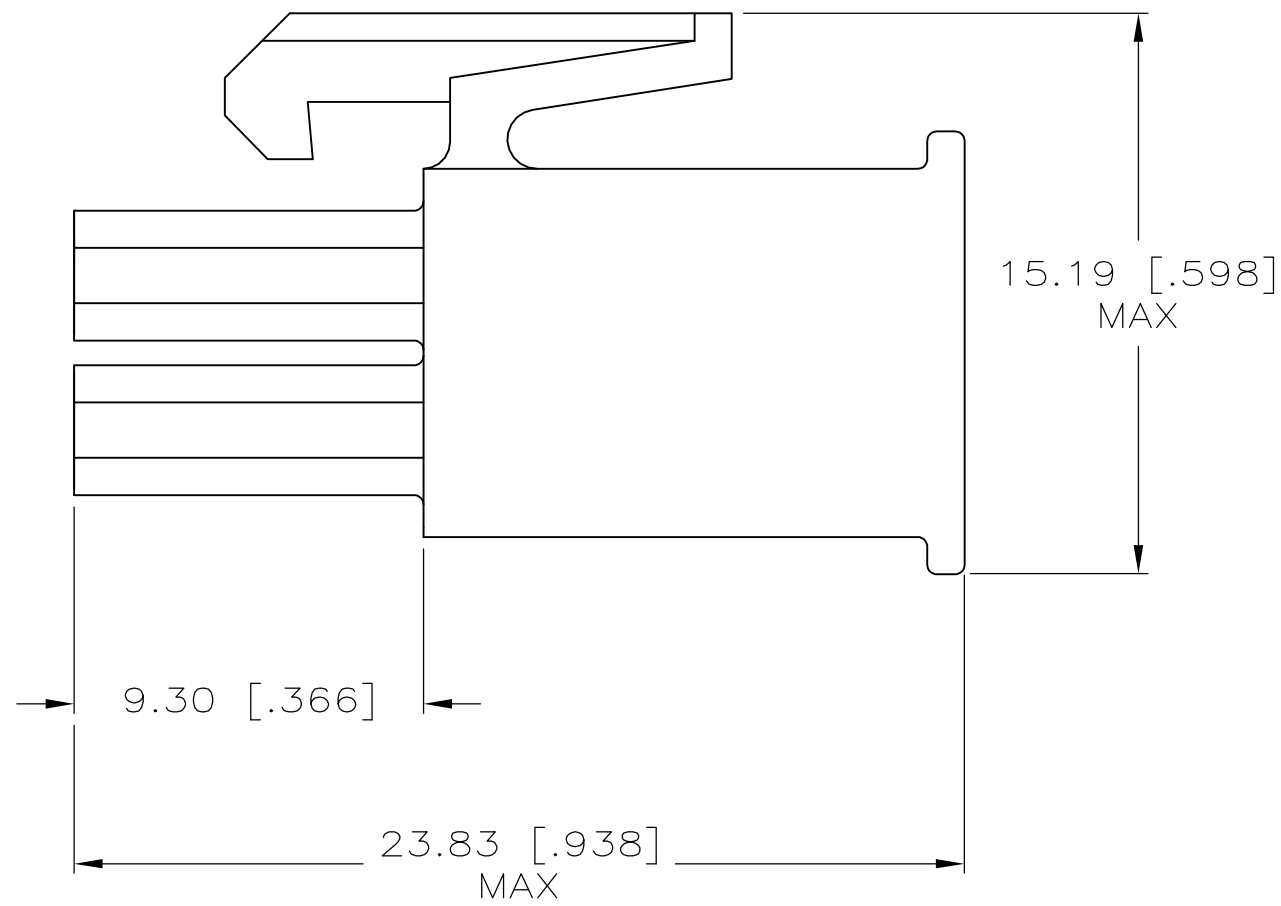
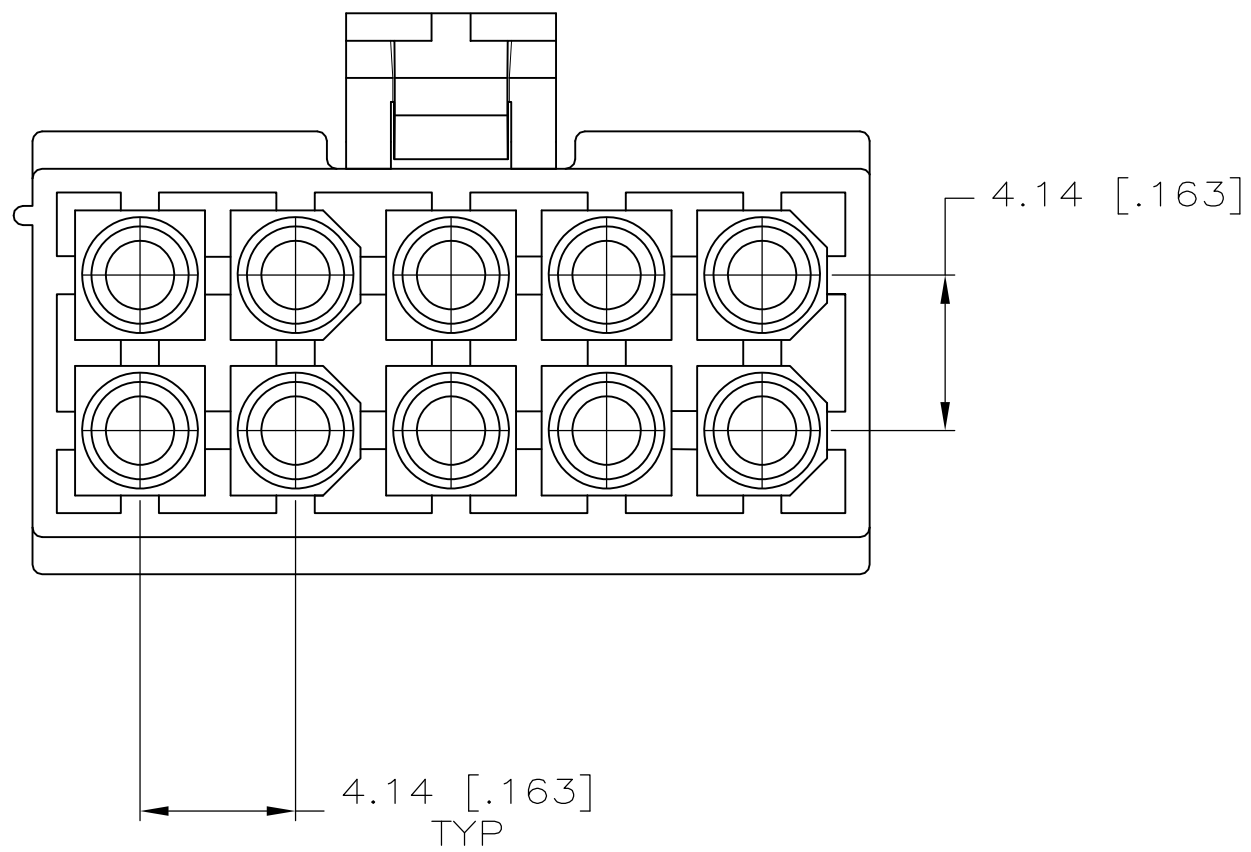


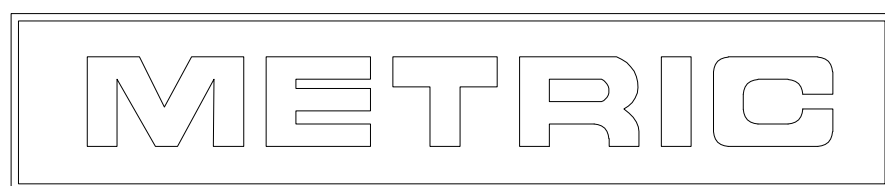
THIS DRAWING IS UNPUBLISHED. RELEASED FOR PUBLICATION
 © COPYRIGHT By - ALL RIGHTS RESERVED.

LOC		DIST		REVISIONS			
P	LTR	DESCRIPTION		DATE	DWN	APVD	
CM	00	G		REVISED PER ECR-15-001261	02-MAR-15	SC	KD

- INDIVIDUAL CORING FEATURES AROUND BASES OF SILOS MAY NOT BE PRESENT IN ALL LOCATIONS SHOWN.



770580-1
PART NUMBER



THIS DRAWING IS A CONTROLLED DOCUMENT.		DWN S. HOOVER 12-MAY-2004	TE Connectivity	
DIMENSIONS: mm [INCHES]		CHK C. JONES 12-MAY-2004		
TOLERANCES UNLESS OTHERWISE SPECIFIED:		APVD C. JONES 12-MAY-2004	NAME	
0 PLC ±		PRODUCT SPEC	PLUG, 10 CIRCUIT, MINI UNIVERSAL MATE-N-LOK™	
1 PLC ±		APPLICATION SPEC	SIZE	RESTRICTED TO
2 PLC ±		WEIGHT	A2	
3 PLC ± 0.13 [.005]		CUSTOMER DRAWING	CAGE CODE	
4 PLC ±		SCALE	00779	
ANGLES ±		SHEET	G-770580	1 of 1
FINISH		REV		G
MATERIAL NYLON, UL 94V-0 WHITE				

单击下面可查看定价，库存，交付和生命周期等信息

[>>TE Connectivity\(泰科\)](#)