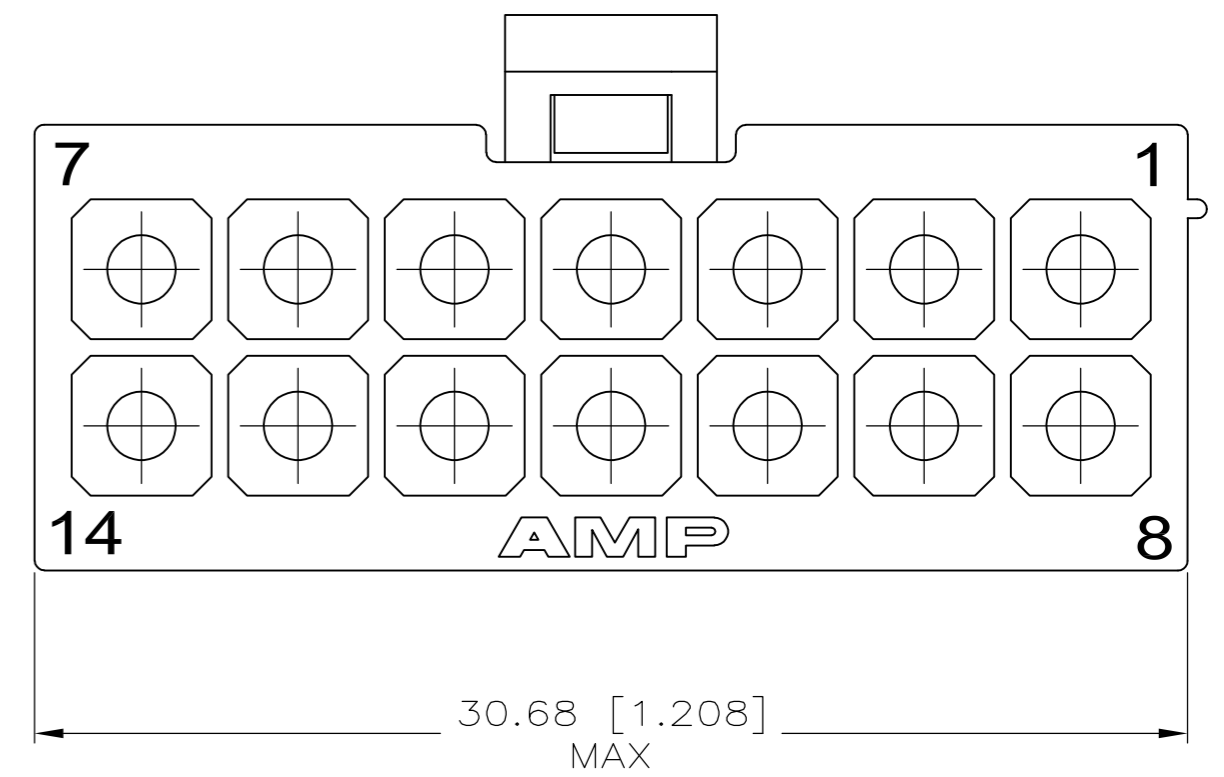
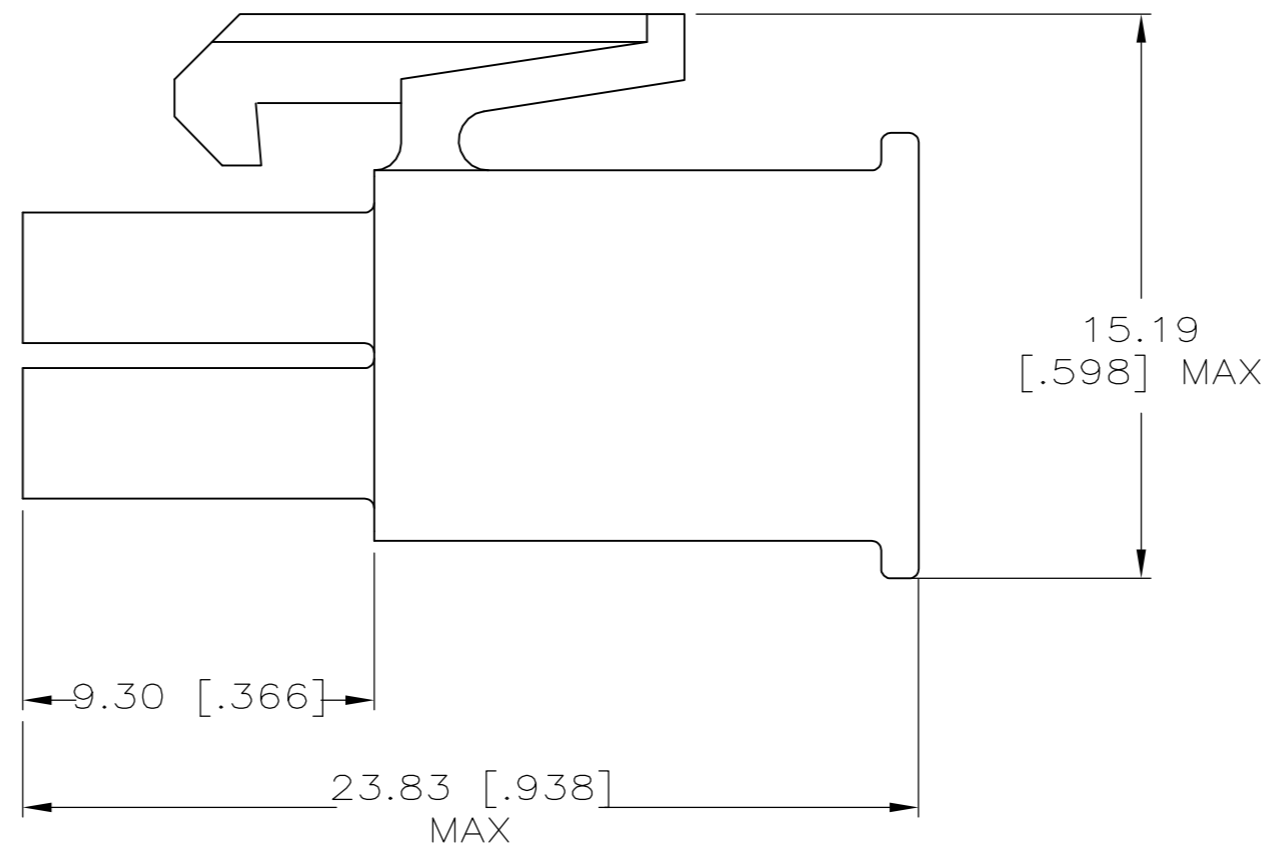
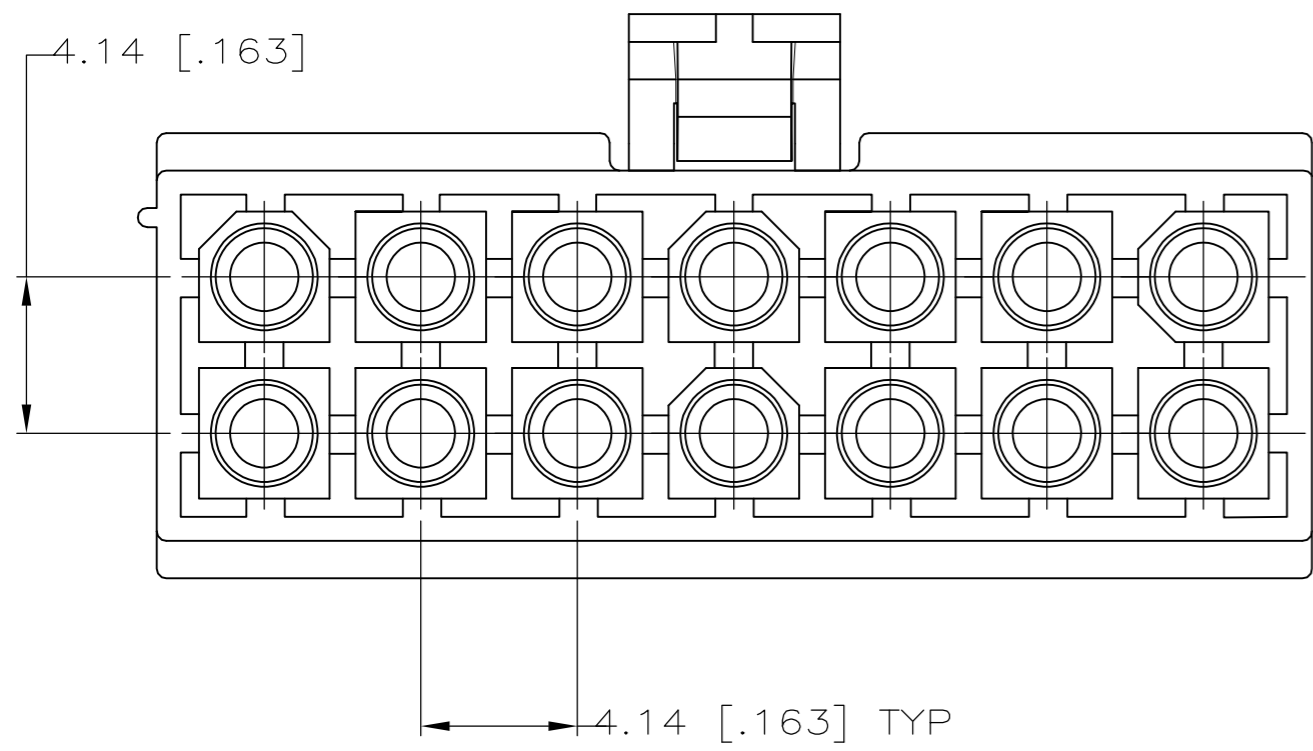


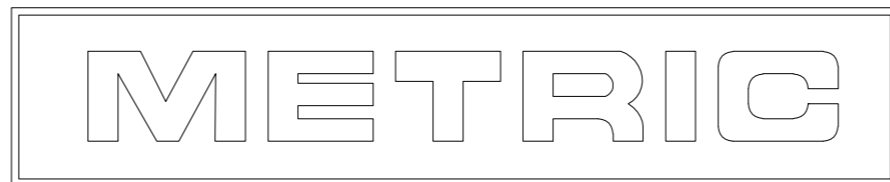
THIS DRAWING IS UNPUBLISHED. RELEASED FOR PUBLICATION  
 © COPYRIGHT By - ALL RIGHTS RESERVED.

LOC		DIST		REVISIONS			
P	LTR	DESCRIPTION		DATE	DWN	APVD	
CM	00	H		REVISED PER ECR-15-001261	02MAR15	SC	KD

1. INDIVIDUAL CORING FEATURES AROUND BASES OF SILOS MAY NOT BE PRESENT IN ALL LOCATIONS SHOWN.



770582-1  
PART NUMBER



THIS DRAWING IS A CONTROLLED DOCUMENT.		DWN	S. HOOVER	12-MAY-2004	TE Connectivity			
DIMENSIONS: mm [INCHES]		CHK	C. JONES	12-MAY-2004				
TOLERANCES UNLESS OTHERWISE SPECIFIED:		APVD	C. JONES	12-MAY-2004	NAME			
0 PLC ±	1 PLC ±	PRODUCT SPEC		PLUG, 14 CIRCUIT, MINI UNIVERSAL MATE-N-LOK™				
2 PLC ±	3 PLC ± 0.13 [.005]	APPLICATION SPEC		SIZE	CAGE CODE	DRAWING NO	RESTRICTED TO	
4 PLC ±	ANGLES ±	WEIGHT		A2	00779	C=770582		
MATERIAL NYLON, UL 94V-0 WHITE		FINISH		CUSTOMER DRAWING		SCALE	SHEET	REV
						5:1	1 of 1	H

单击下面可查看定价，库存，交付和生命周期等信息

[>>TE Connectivity\(泰科\)](#)