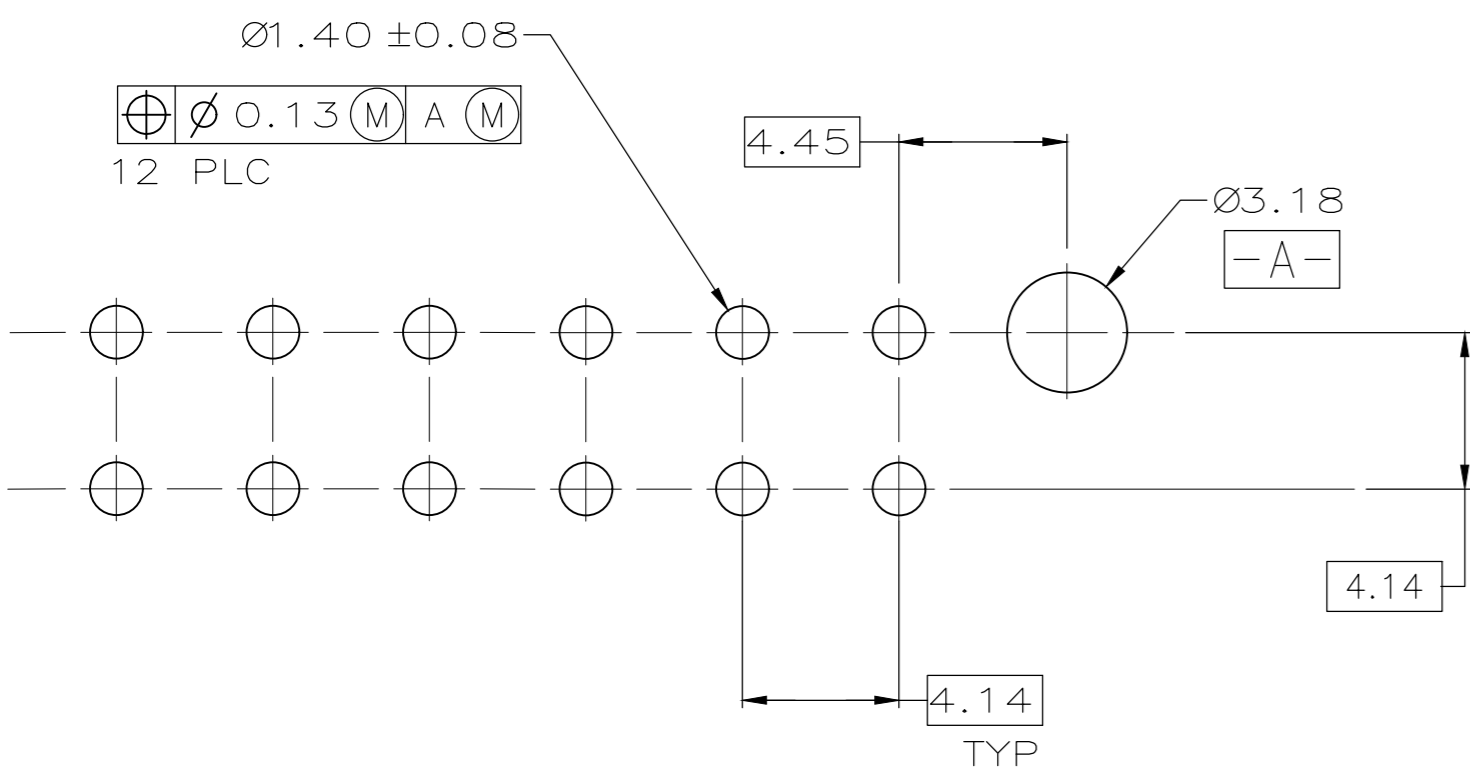
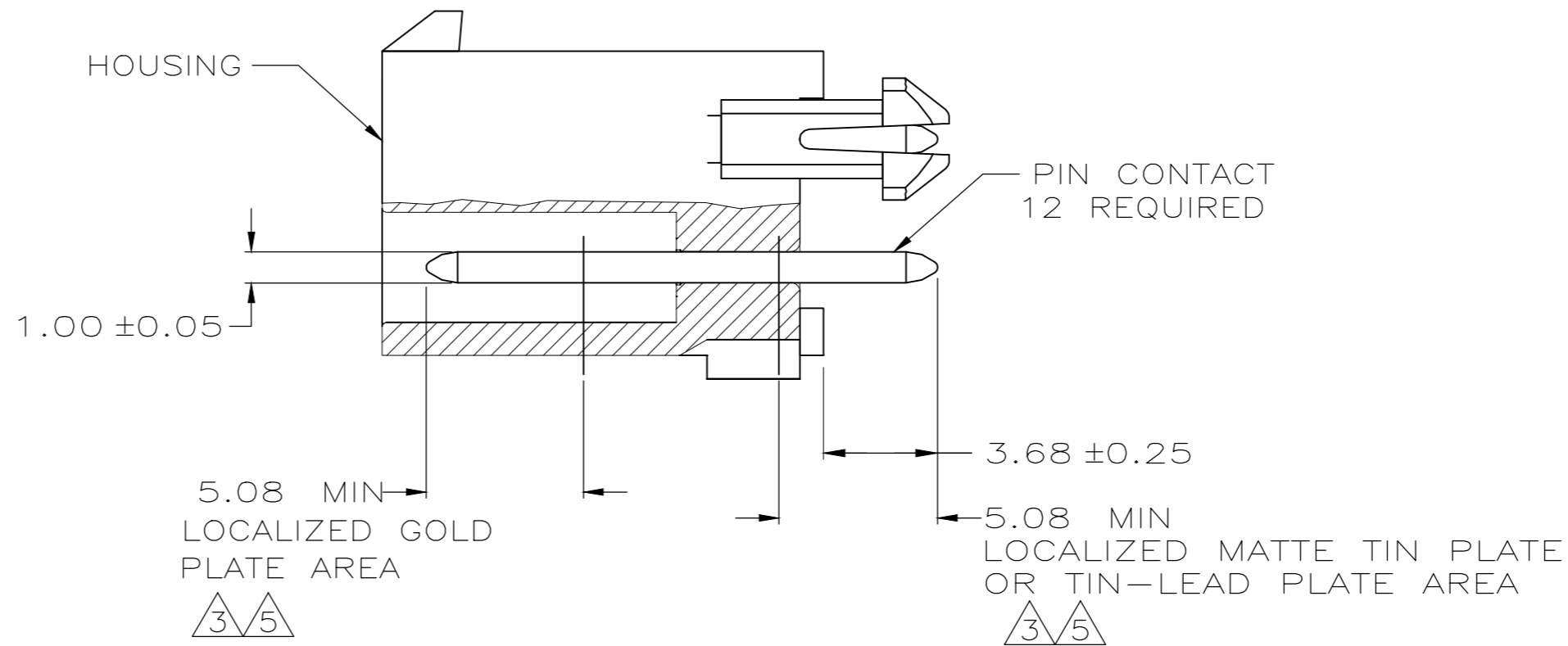
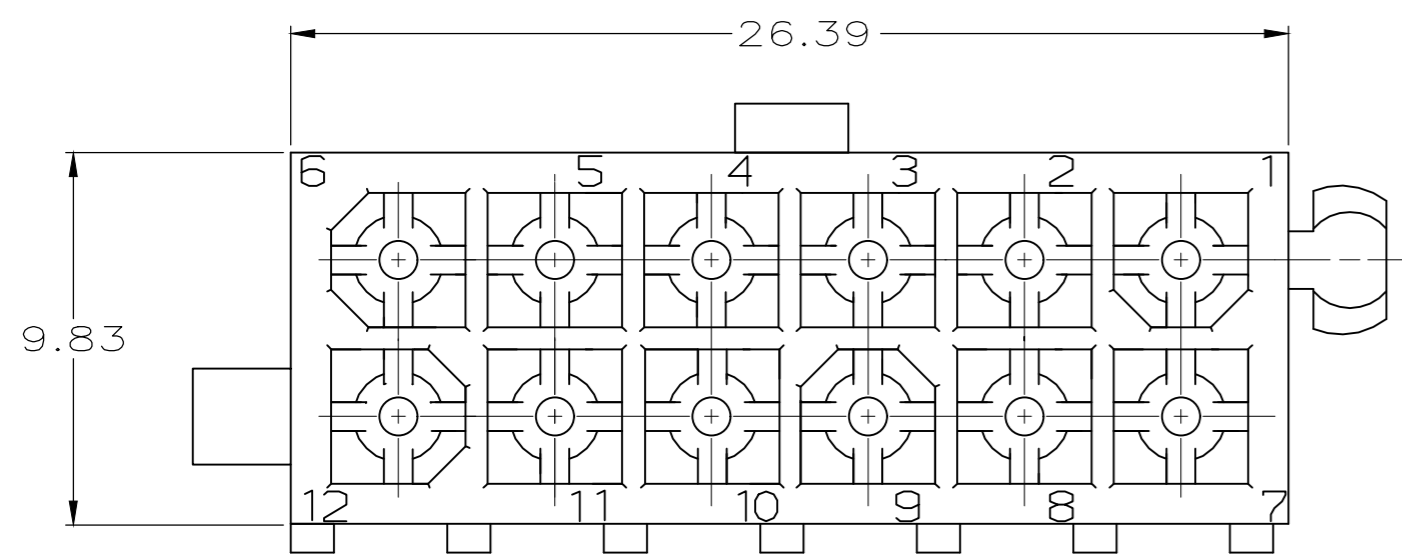
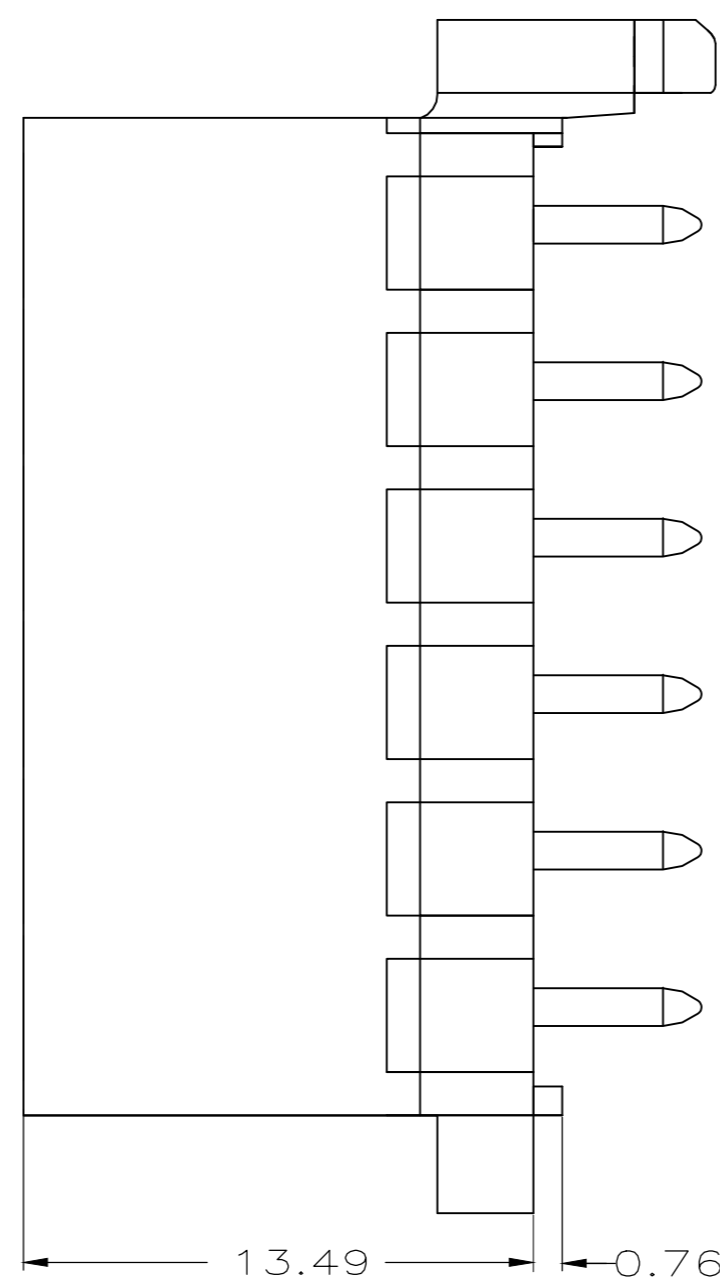


THIS DRAWING IS UNPUBLISHED. RELEASED FOR PUBLICATION
 © COPYRIGHT - By - ALL RIGHTS RESERVED.

LOC		DIST		REVISIONS			
P	LTR	DESCRIPTION		DATE	DWN	APVD	
CM	0	M1	REVISED PER ECR-18-005392		27NOV2018	BDA	SG



RECOMMENDED HOLE PATTERN FOR 1.57 THICK BOARD



- PINS TO COMPLY WITH AMP SOLDERABILITY SPEC. 109-11-3.
- 0.00381 MIN MATTE TIN LEAD OVER 0.00127 MIN NICKEL.
- 0.00076 MIN GOLD PLATE IN THE LOCALIZED PLATE AREA, 0.00381 MATTE TIN LEAD IN THE LOCALIZED PLATE AREA, BOTH OVER 0.00127 MIN NICKEL.
- 0.00381 MIN MATTE TIN OVER 0.00127 MIN NICKEL.
- 0.00076 MIN GOLD PLATE IN THE LOCALIZED PLATE AREA, 0.00381 MATTE TIN IN THE LOCALIZED PLATE AREA, BOTH OVER 0.00127 MIN NICKEL.

BRASS, GOLD	5	NYLON, UL94V-0	WHITE	1-770621-1
BRASS, TIN	4	NYLON, UL94V-0	WHITE	1-770621-0
OBSOLETE BRASS, GOLD	3	NYLON, UL94V-0	WHITE	-770621-2
BRASS, TIN-LEAD	2	NYLON, UL94V-0	WHITE	770621-1
MATERIAL	FINISH	MATERIAL	COLOR	PART NO.
PIN		HOUSING		

DIMENSIONS:		TOLERANCES UNLESS OTHERWISE SPECIFIED:		DWN		CHK		APVD		NAME	
mm				S CARPENTER		R JONES		R JONES		R JONES	
0 PLC ± -		1 PLC ± -		08JUN05		12AUG2003		12AUG2003		TE Connectivity	
2 PLC ± 0.13		3 PLC ± -								HEADER ASSEMBLY, CLOSED BOTTOM, 12 CKT, DOUBLE ROW VERTICAL, MINI UNIVERSAL MATE-N-LOK	
4 PLC ± -		ANGLES ± -								SIZE: A2 CAGE CODE: 00779 DRAWING NO: C=770621	
MATERIAL: -		FINISH: -		WEIGHT: -		SCALE: 5:1		SHEET: 1 of 1		REV: M1	
CUSTOMER DRAWING				SCALE: 5:1		SHEET: 1 of 1		REV: M1			

单击下面可查看定价，库存，交付和生命周期等信息

[>>TE Connectivity\(泰科\)](#)