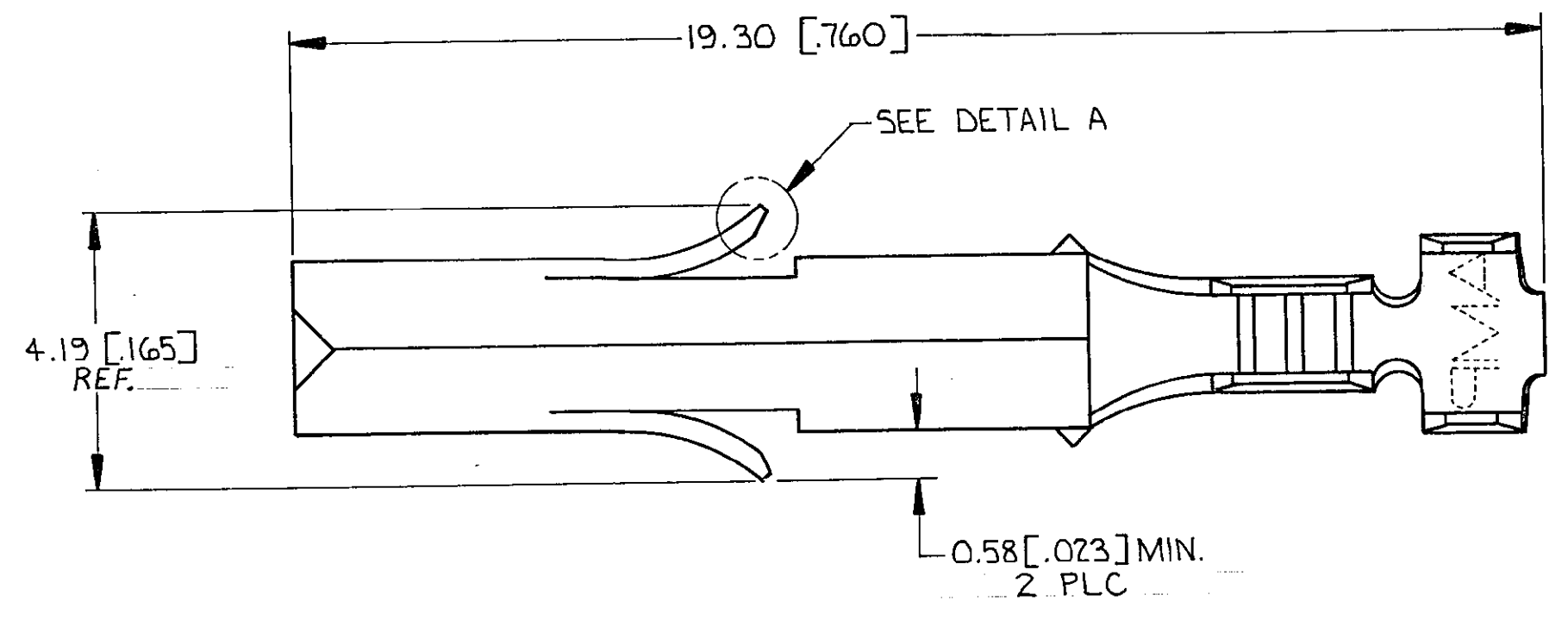


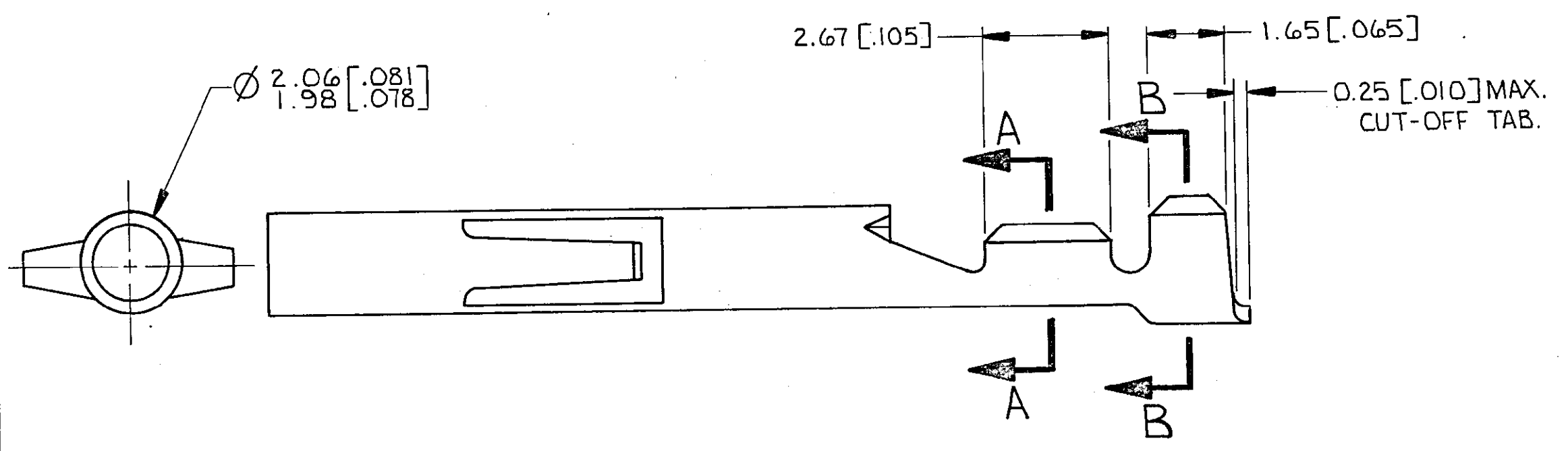
THIS DRAWING IS UNPUBLISHED. RELEASED FOR PUBLICATION, 19  
 © COPYRIGHT 19 BY AMP INCORPORATED, HARRISBURG, PA. ALL INTERNATIONAL RIGHTS RESERVED. AMP PRODUCTS MAY BE COVERED BY U.S. AND FOREIGN PATENTS AND/OR PATENTS PENDING.

LOC	DIST	REVISIONS				
CM	53	ZONE	LTR	DESCRIPTION	DATE	APPD
		A		REV PER EC 0730-3607-91	1-6-94	RV R5

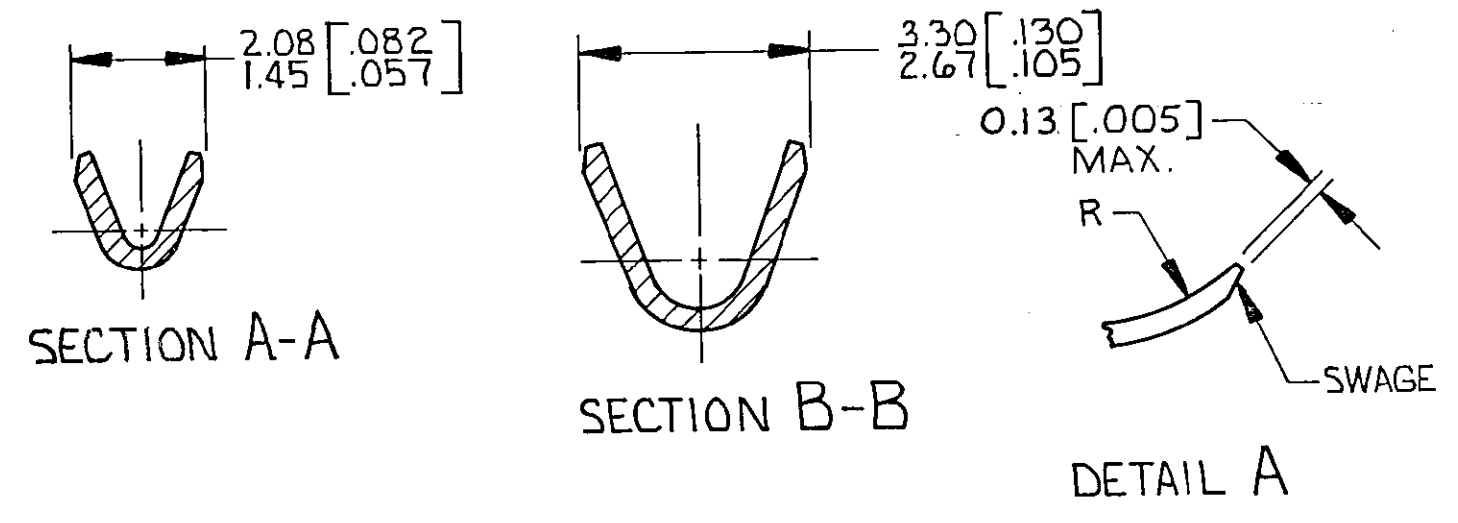


1. WIRE RANGE: 0.05 - 0.15 mm<sup>2</sup>  
 [30-26 AWG]  
 INSULATION RANGE: 0.81 - 1.45 DIA.  
 [.032 - .057]

2. DIMENSIONS IN BRACKETS ARE IN INCHES.



**METRIC**



UNLESS OTHERWISE SPECIFIED DIMENSIONS ARE IN mm TOLERANCES ON		DR P. Collins 2-26-90		AMP   AMP INCORPORATED Harrisburg, Pa. 17105	
2 PL DEC ±		CHK R. Swiny 3-2-90	NAME		
3 PL DEC ±	0.13 [0.05]	APPD M. Small 3-2-90	SOCKET, UNIVERSAL MATE-N-LOK,™ LOOSE PIECE		
ANGLES ±		APPD	DRAWING NO 770673		
MATERIAL	0.30 [.012] BRASS	PRODUCT SPEC	SIZE C	FSCM NO 00779	SHEET 1 OF 1
FINISH	PRE-TIN	APPLICATION SPEC	SCALE 10:1	PART NO 770673 -1	
WEIGHT				CUSTOMER DRAWING	

单击下面可查看定价，库存，交付和生命周期等信息

[>>TE Connectivity\(泰科\)](#)