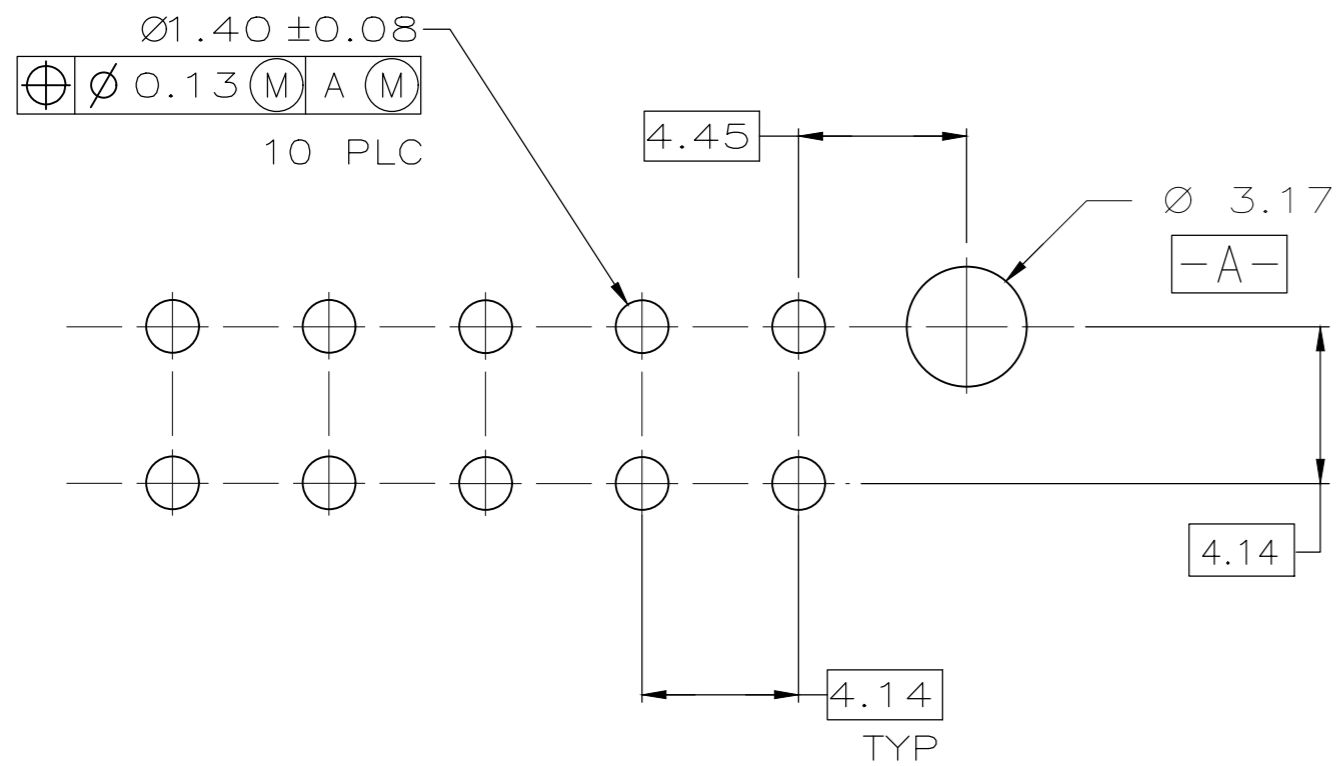
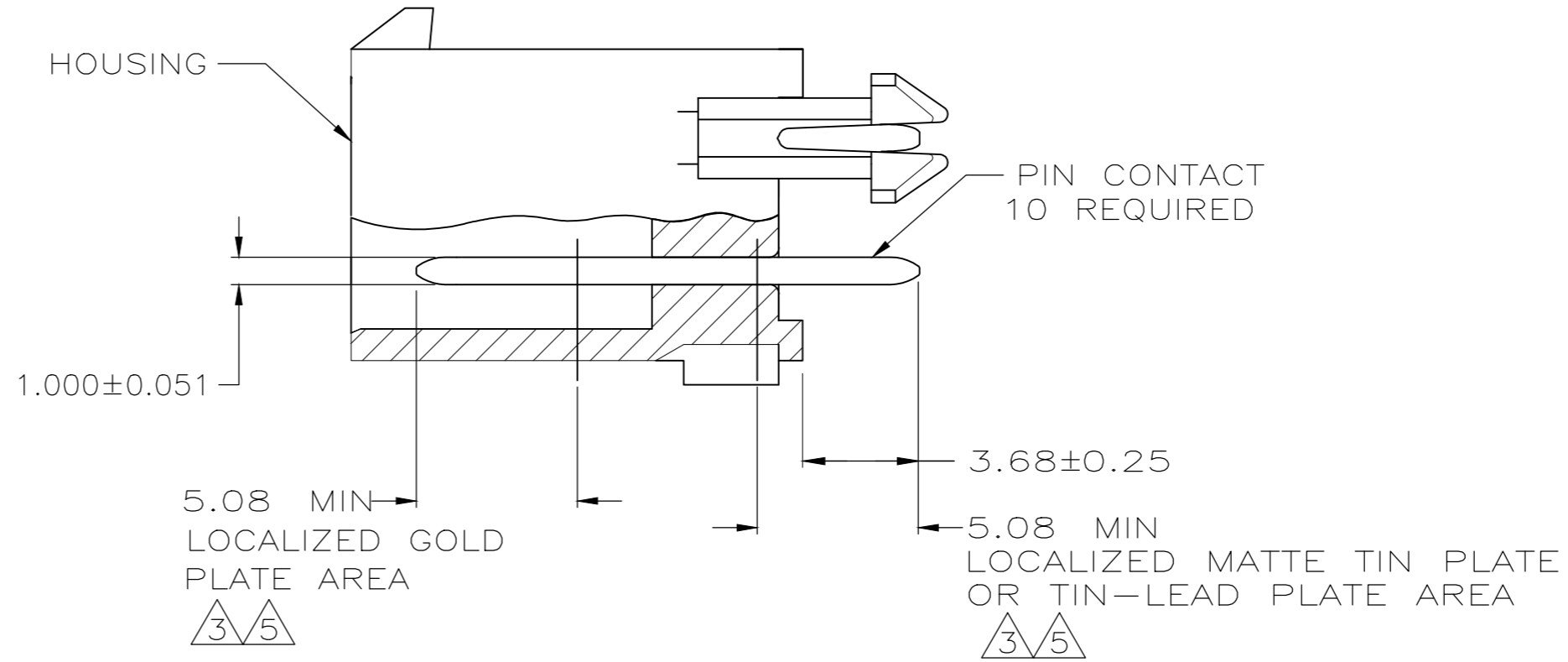
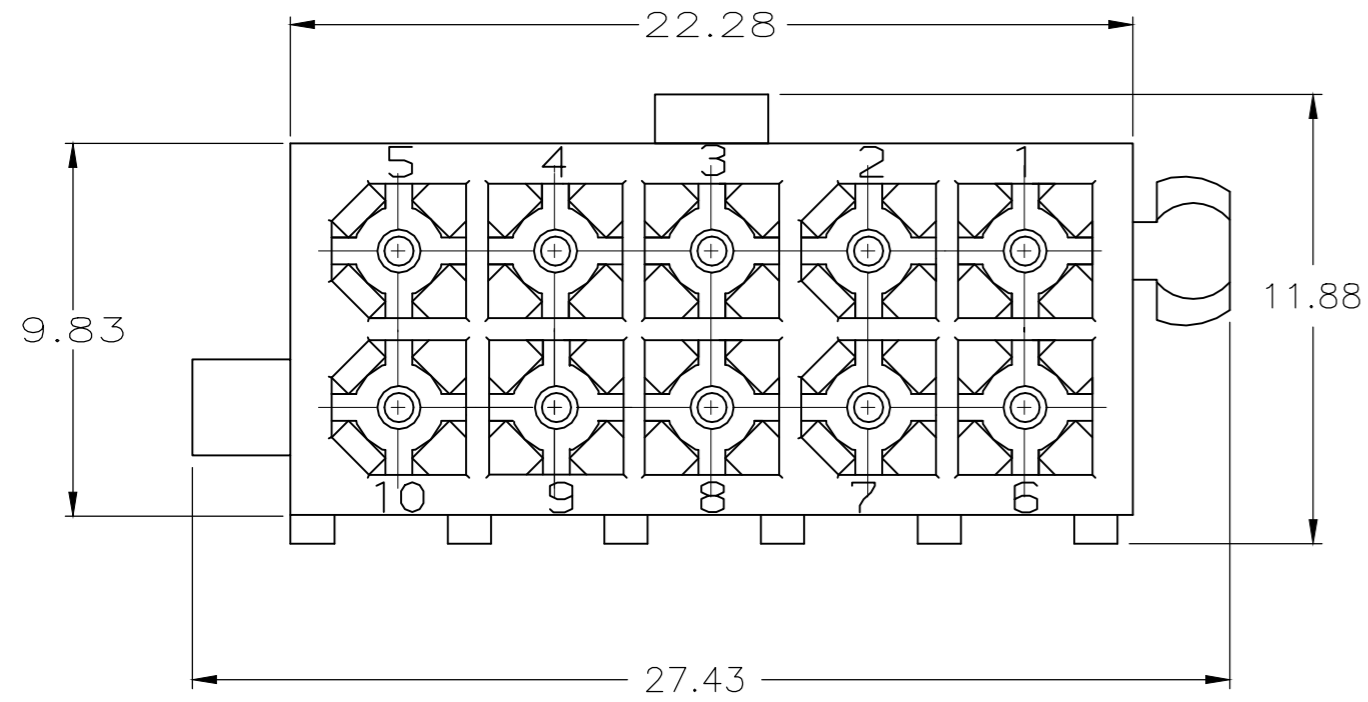
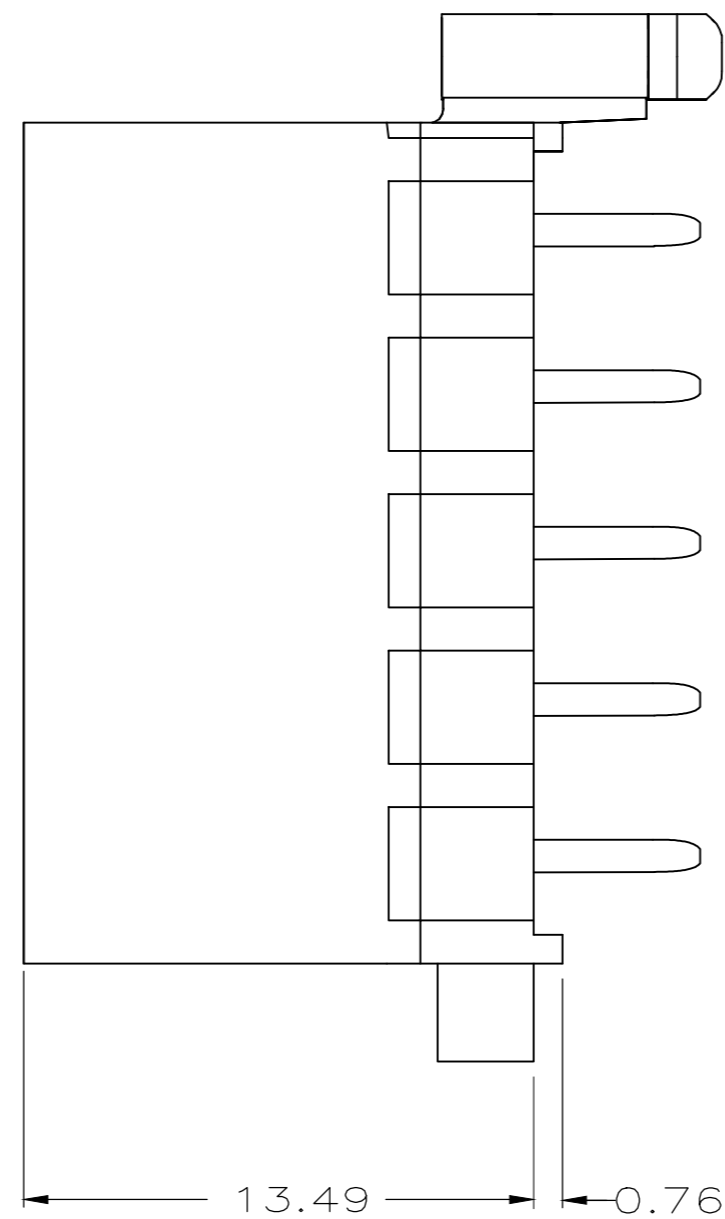


THIS DRAWING IS UNPUBLISHED. RELEASED FOR PUBLICATION
 © COPYRIGHT - By - ALL RIGHTS RESERVED.

REVISIONS					
P	LTR	DESCRIPTION	DATE	DWN	APVD
H2		REVISED PER ECR-18-005392	27NOV2018	BDA	SG



RECOMMENDED HOLE PATTERN FOR 1.57 THICK BOARD



- PINS TO COMPLY WITH AMP SOLDERABILITY SPEC. 109-11-3.
- 0.00381 MIN MATTE TIN LEAD PLATE OVER 0.00127 MIN NICKEL.
- 0.00076 MIN GOLD PLATE IN THE LOCALIZED PLATE AREA, 0.00381 MATTE TIN LEAD IN THE LOCALIZED PLATE AREA, BOTH OVER 0.00127 MIN NICKEL.
- 0.00381 MIN MATTE TIN PLATE OVER 0.00127 MIN NICKEL.
- 0.00076 MIN GOLD PLATE IN THE LOCALIZED PLATE AREA, 0.00381 MATTE TIN IN THE LOCALIZED PLATE AREA, BOTH OVER 0.00127 MIN NICKEL.

BRASS, GOLD	5	NYLON, UL94V-0	WHITE	1-770743-1
BRASS, TIN	4	NYLON, UL94V-0	WHITE	1-770743-0
OBSOLETE BRASS, GOLD	3	NYLON, UL94V-0	WHITE	-770743-2
BRASS, TIN-LEAD	2	NYLON, UL94V-0	WHITE	770743-1
MATERIAL	FINISH	MATERIAL	COLOR	PART NO.
PIN		HOUSING		

THIS DRAWING IS A CONTROLLED DOCUMENT.		DWN	08JUN05	TE Connectivity	
DIMENSIONS: mm		CHK	29JUL2003	NAME	
TOLERANCES UNLESS OTHERWISE SPECIFIED:		APVD	29JUL2003	SIZE	
0 PLC ± -		PRODUCT SPEC		CAGE CODE	
1 PLC ± -		APPLICATION SPEC		DRAWING NO	
2 PLC ± 0.13				RESTRICTED TO	
3 PLC ± -		WEIGHT		SCALE	
4 PLC ± -				SHEET	
ANGLES ± -				REV	
FINISH				H2	
MATERIAL		CUSTOMER DRAWING		SCALE	5:1
		A2 00779 C=770743		SHEET	1 of 1

单击下面可查看定价，库存，交付和生命周期等信息

[>>TE Connectivity\(泰科\)](#)