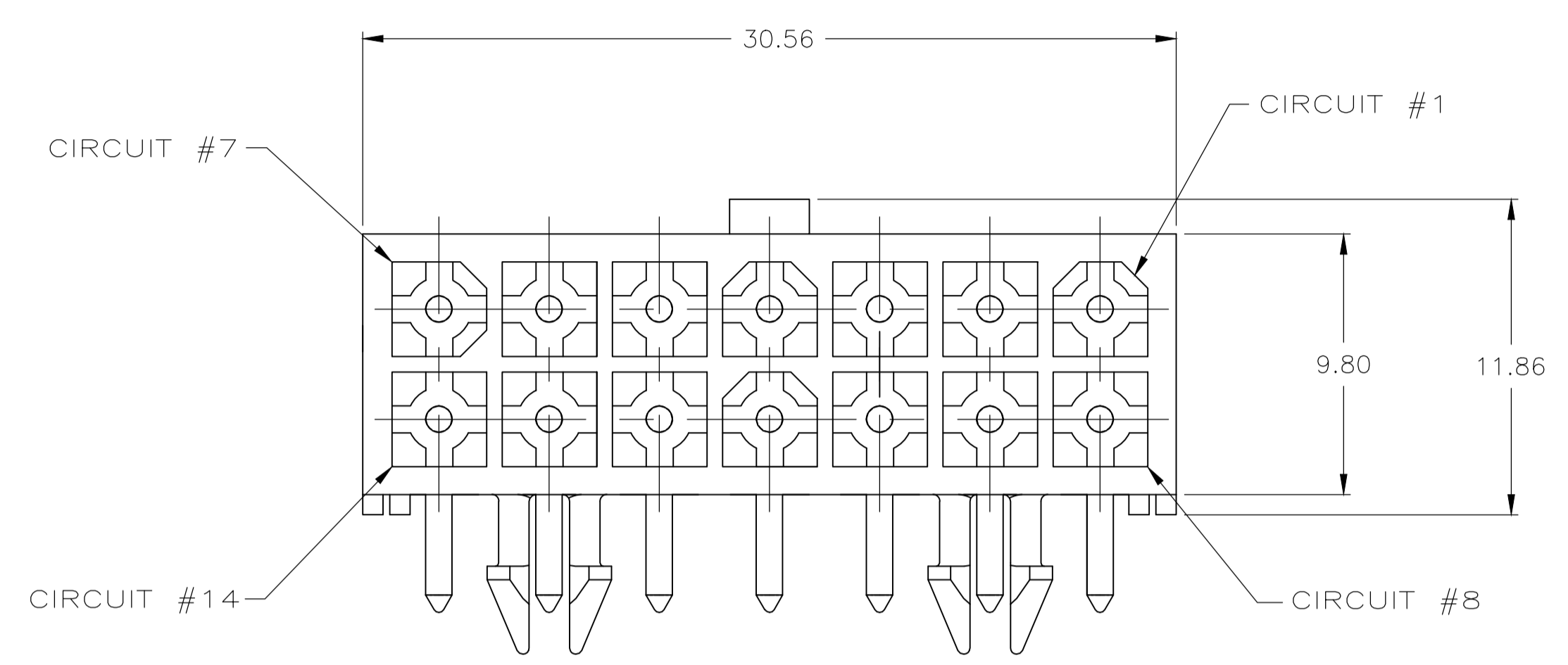
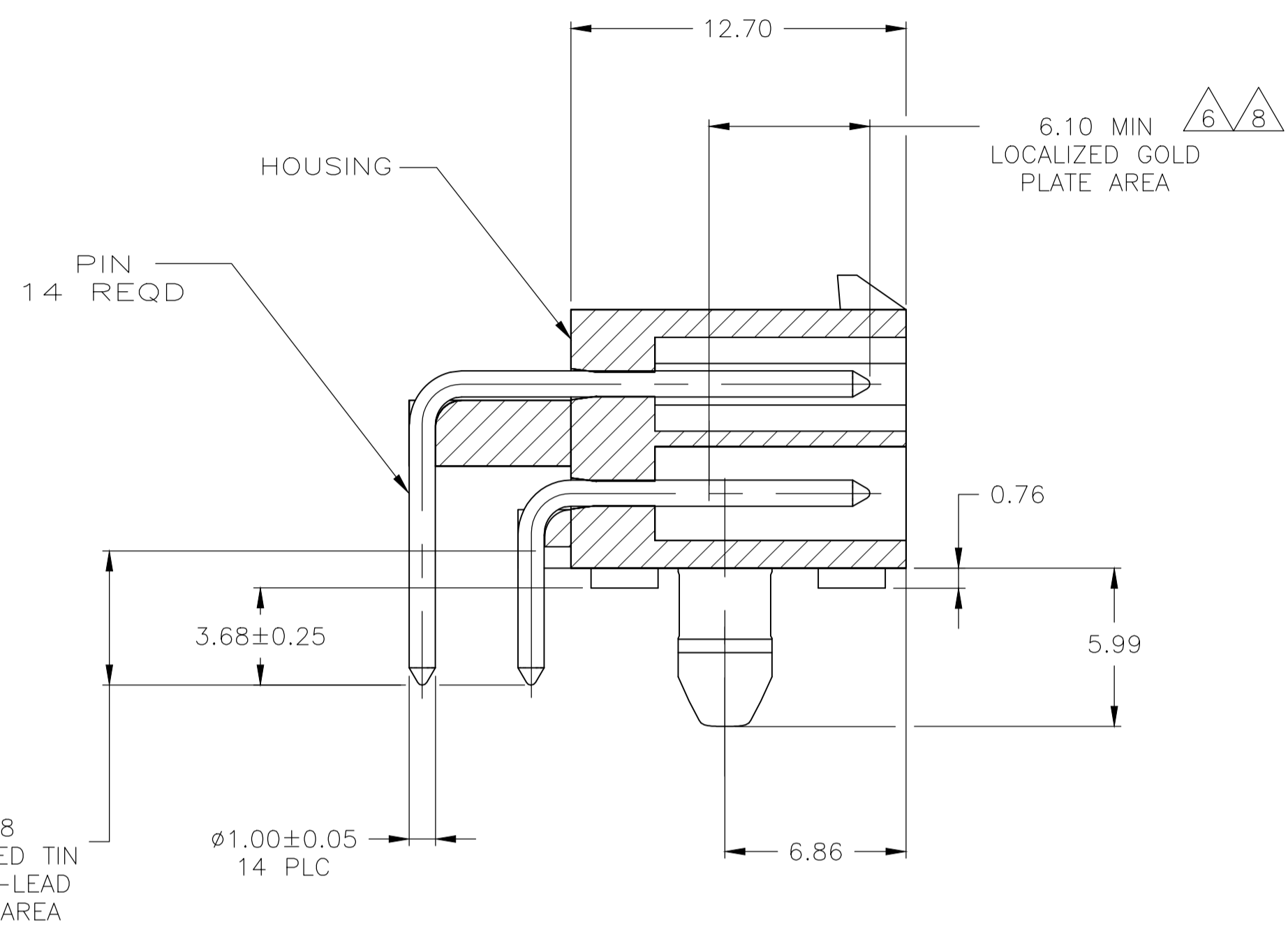
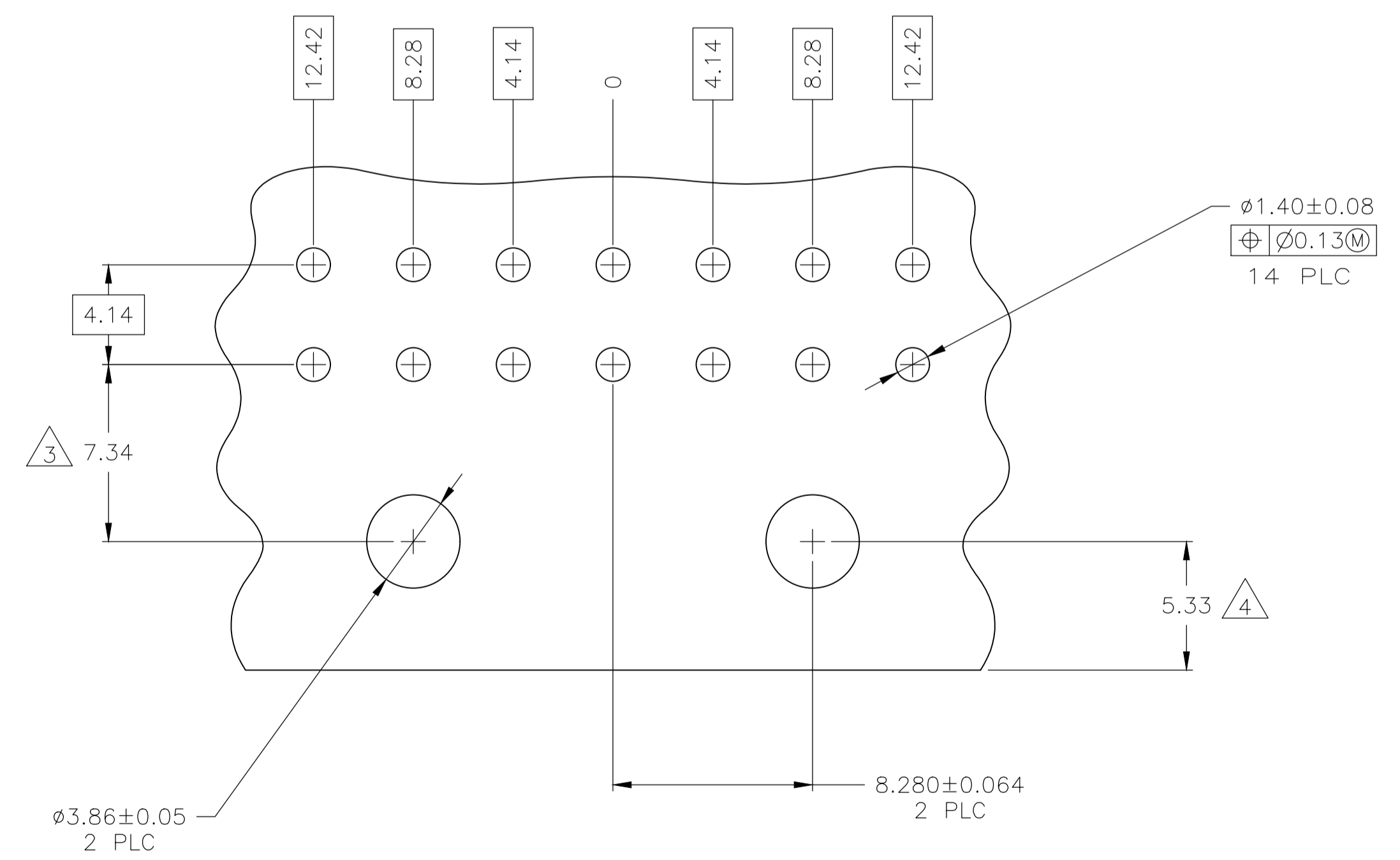
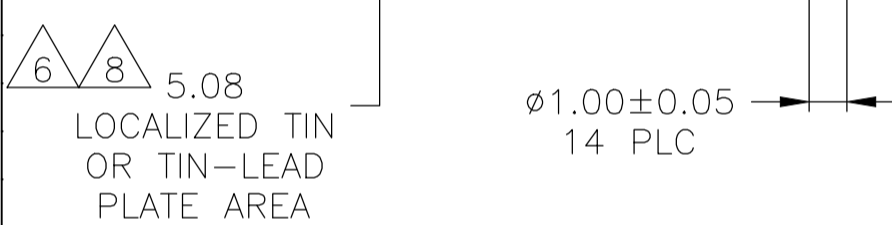


LOC	DIST	REVISIONS			
P	LTR	DESCRIPTION	DATE	DMN	APVD
H1		REVISED PER ECR-20-004142	29JUN2020	BDA	SW



1. PINS TO COMPLY WITH AMP SOLDERABILITY SPEC 109-11-3.
2. MATES WITH PLUG P/N 770582-1.
3. COORDINATE DIMENSION APPLIES FROM CENTER OF ACTUAL FEATURE.
4. RECOMMENDED FOR EDGE MOUNTING.
5. 0.00381 MIN MATTE TIN LEAD OVER 0.00127 MIN NICKEL ENTIRE LENGTH OF PIN.
6. 0.00076 MIN GOLD PLATE IN THE LOCALIZED PLATE AREA, 0.00381 MIN MATTE TIN LEAD IN THE LOCALIZED PLATE AREA, BOTH OVER 0.00127 MIN NICKEL.
7. 0.00381 MIN MATTE TIN OVER 0.00127 MIN NICKEL ENTIRE LENGTH OF PIN.
8. 0.00076 MIN GOLD PLATE IN THE LOCALIZED GOLD PLATE AREA, 0.00381 MIN MATTE TIN IN THE LOCALIZED TIN PLATE AREA, BOTH OVER 0.00127 MIN NICKEL.
9. SUPERSEDED BY 1-770973-0
10. SUPERSEDED BY 1-770973-1



RECOMMENDED MOUNTING HOLE PATTERN FOR 1.57 THICK P.C. BOARD

MM	IN	MM	IN
3.86	.152	30.56	1.203
3.68	.145	12.70	.500
1.57	.062	12.42	.489
1.40	.055	12.42	.489
1.00	.039	9.80	.386
0.76	.030	8.280	.3260
0.25	.010	8.28	.326
0.13	.005	7.34	.289
0.08	.003	6.86	.270
0.064	.0025	6.10	.240
0.05	.002	5.99	.236
0.00381	.000150	5.33	.210
0.00127	.000050	5.08	.200
0.00076	.000030	4.14	.163
MM	IN	MM	IN

MATERIAL	FINISH	MATERIAL	COLOR	PART NO.
BRASS	8	NYLON, UL94V-0	WHITE	1-770973-1
BRASS	7	NYLON, UL94V-0	WHITE	1-770973-0
BRASS	6	NYLON, UL94V-0	WHITE	-770973-2-
BRASS	5	NYLON, UL94V-0	WHITE	-770973-1-

THIS DRAWING IS A CONTROLLED DOCUMENT.

DIMENSIONS: mm	TOLERANCES UNLESS OTHERWISE SPECIFIED:	0 PLC ± -	1 PLC ± -	2 PLC ± -	3 PLC ± 0.13	4 PLC ± -	ANGLES ± -
----------------	--	-----------	-----------	-----------	--------------	-----------	------------

DRAWN: S. CARPENTER	24JUL03	DATE	24JUL03
CHK: C. JONES	24JUL03	DATE	24JUL03
APVD: C. JONES	24JUL03	DATE	24JUL03

NAME: HEADER ASSEMBLY, RIGHT ANGLE, WITH SHORT PEG, 14 CIRCUIT, MINI UNIVERSAL MATE-N-LOK(TM)

SIZE: A1 | CAGE CODE: 00779 | DRAWING NO: 770973 | RESTRICTED TO: -

WEIGHT: - | CUSTOMER DRAWING | SCALE: 5:1 | SHEET: 1 OF 1 | REV: H1

单击下面可查看定价，库存，交付和生命周期等信息

[>>TE Connectivity\(泰科\)](#)