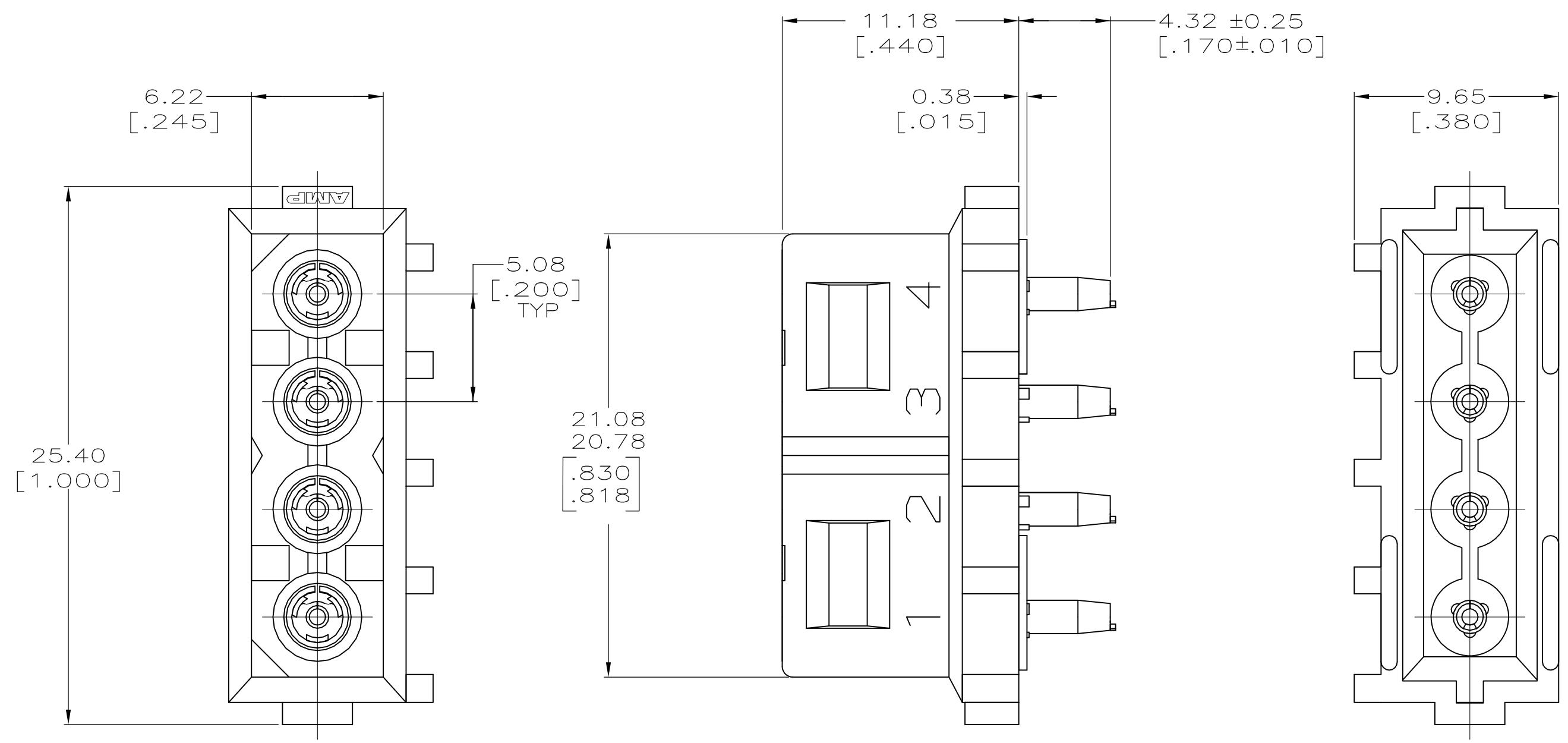
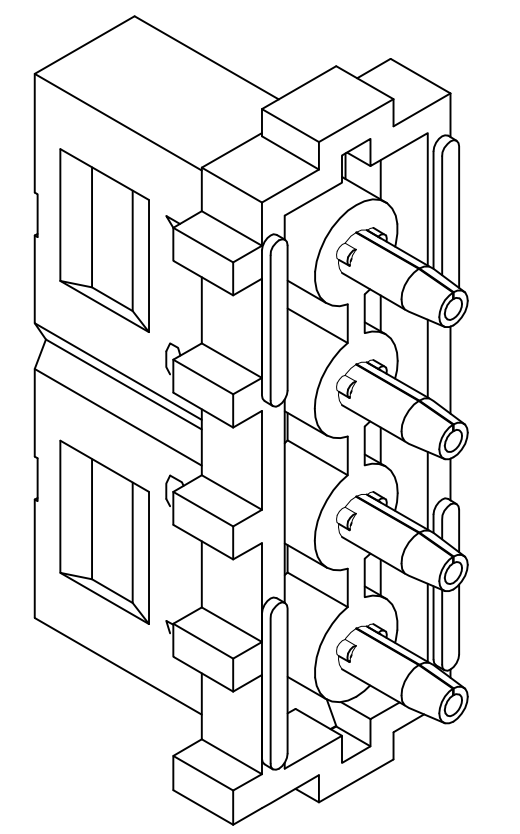


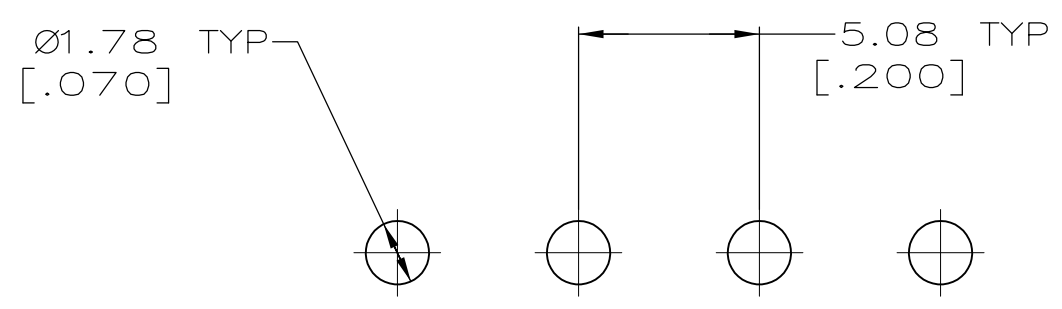
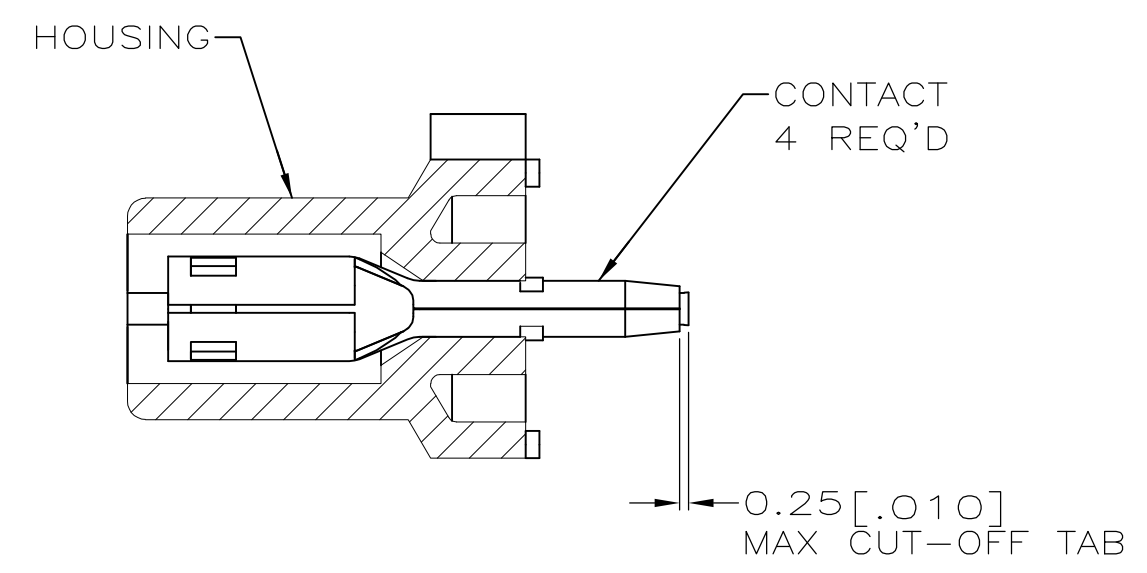
LOC	DIST	REVISIONS			
P	LTR	DESCRIPTION	DATE	OWN	APVD
CM	53	C1	REVISED PER ECO-11-004917	11MAR11	RK HMR



- PARTS COMPLY WITH AMP SOLDERABILITY SPEC. 109-11-5.
- DIMENSIONS IN BRACKETS ARE IN INCHES.

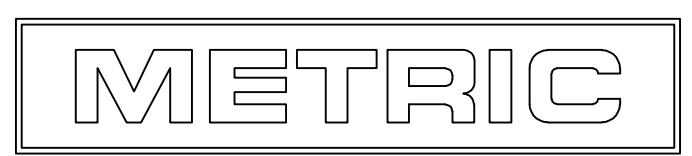


3-DIMENSIONAL MODEL NTS



RECOMMENDED MOUNTING HOLE PATTERN FOR 1.57 [.062] THICK P.C. BOARD

0.251 [.0099] THK PH BRZ, PRE-TIN CONTACT MATERIAL & FINISH	NYLON UL94V-2, NATURAL HOUSING MATERIAL & COLOR	770997-1 PART NO
--	--	---------------------



THIS DRAWING IS A CONTROLLED DOCUMENT FOR AMP INCORPORATED. IT IS SUBJECT TO CHANGE AND THE CONTROLLING ENGINEERING ORGANIZATION SHOULD BE CONTACTED FOR THE LATEST REVISION.

THIS DRAWING IS A CONTROLLED DOCUMENT.		DWN K. WHITAKER 8-25-92	STE TE Connectivity
DIMENSIONS: MM[INCHES]		CHK R. SWING 8-25-92	
TOLERANCES UNLESS OTHERWISE SPECIFIED:		APVD G. BROWN 8-26-92	NAME SOCKET HEADER ASSEMBLY, 4 CIRCUIT, COMMERCIAL MATE-N-LOK
0 PLC ± - 1 PLC ± - 2 PLC ± - 3 PLC ± 0.13 [.005] 4 PLC ± - ± 0°30'		PRODUCT SPEC APPLICATION SPEC	SIZE A2
MATERIAL SEE TABLE		FINISH SEE TABLE	CAGE CODE 00779
WEIGHT -		DRAWING NO G-770997	RESTRICTED TO -
CUSTOMER DRAWING		SCALE 5:1	SHEET 1 of 1
		REV C1	

单击下面可查看定价，库存，交付和生命周期等信息

[>>TE Connectivity\(泰科\)](#)