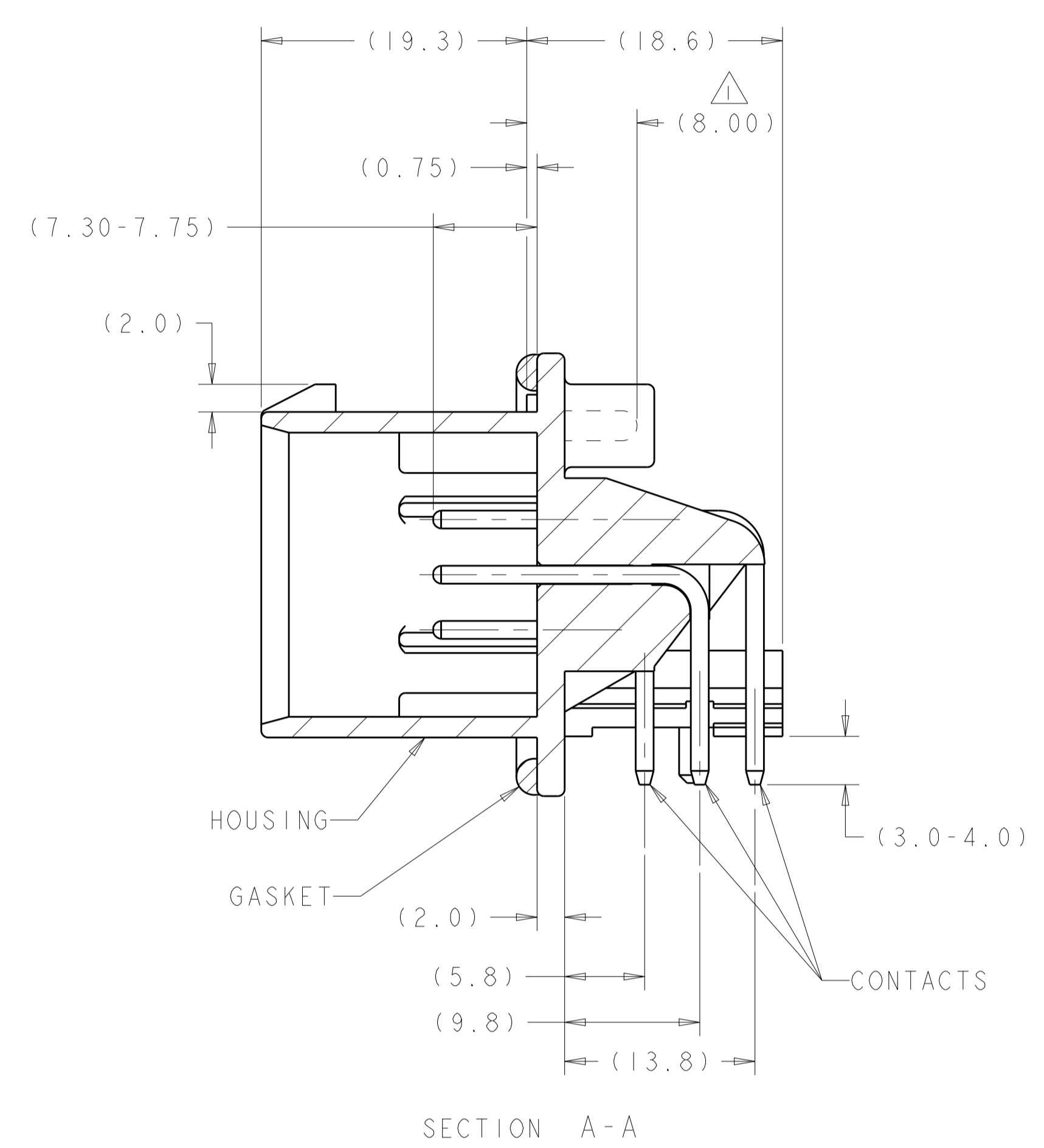
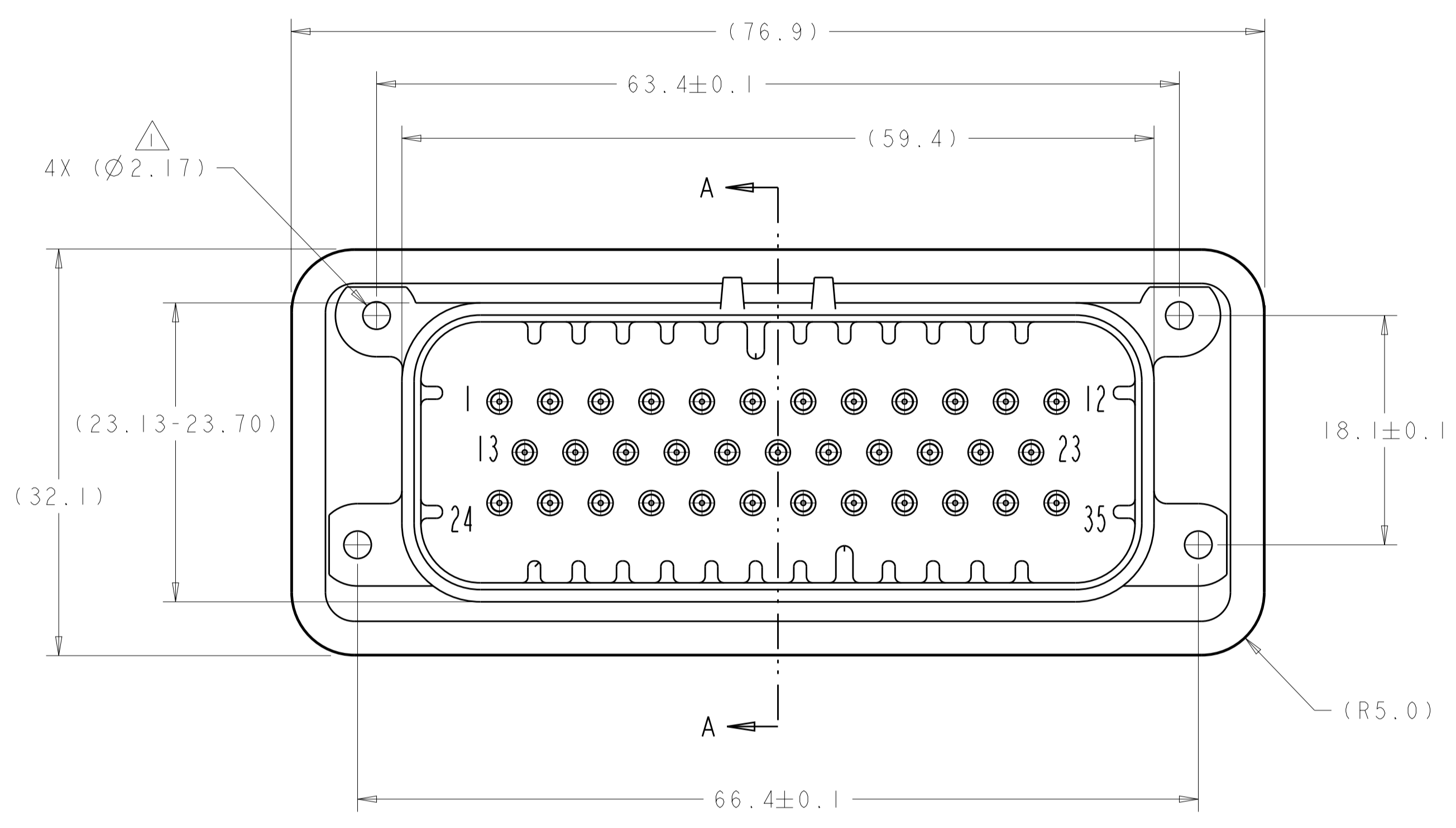
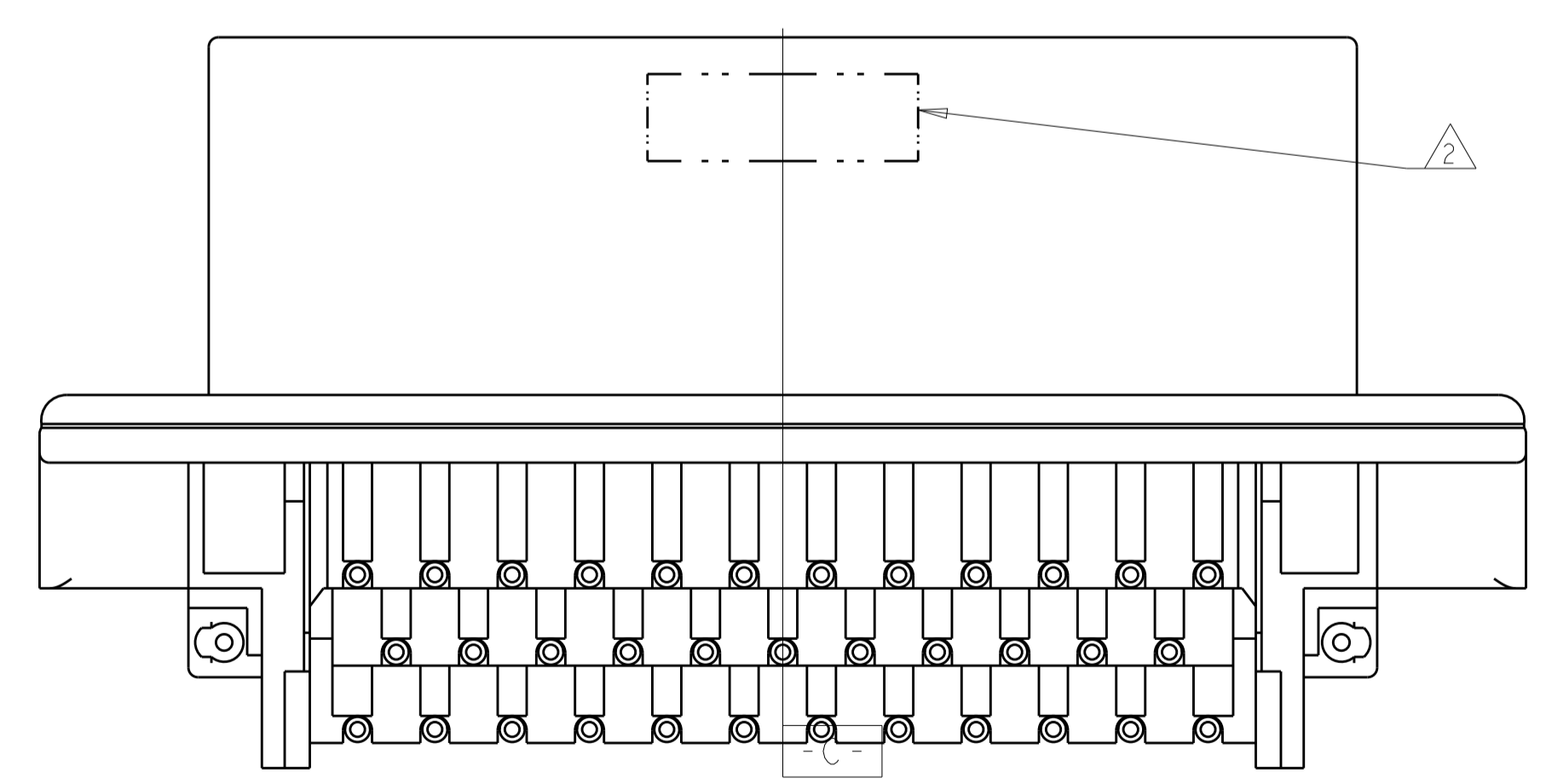


REVISIONS				
P.	LTM	DESCRIPTION	DATE	OWN APVD
J9		REV PER ECO-19-009419	19JUN2019	DS DS
J10		REV PER ECO-20-004256	25MAR2020	JM DS
-	-	-	-	-
-	-	-	-	-



- △ SUGGESTED MOUNTING SCREW SIZE IS $\varnothing 2.50-3.00\text{mm}$ [$\varnothing 0.099 - 0.118$ INCH] SELF TAPPING THREAD FORMING SCREW, SUCH AS DELTA PT, TO BE DRIVEN AT 0.6-0.8 N-m. THE CUSTOMER SHOULD TEST THE SCREW SIZE AND TYPE IN ORDER TO VERIFY THEIR SELECTION FOR THEIR APPLICATION
 - △ DATE CODE IN THIS LOCATION USING 5 DIGIT CODE. FIRST 2 DIGITS = YEAR, SECOND 2 DIGITS = WEEK, LAST DIGIT = DAY
 - △ HOUSING COLORS ARE MECHANICALLY KEYPED TO MATE ONLY WITH IDENTICALLY COLORED PLUG ASSEMBLIES.
 - △ MATERIAL: HEADER HOUSING - GLASS FILLED PBT
PINS - TIN OR GOLD PLATED BRASS
GASKET - SILICONE
5. HEADER MATES TO PLUG ASSEMBLY 776164 WHICH USES REELED TERMINAL 770520 OR LOOSE PIECE TERMINAL 770854

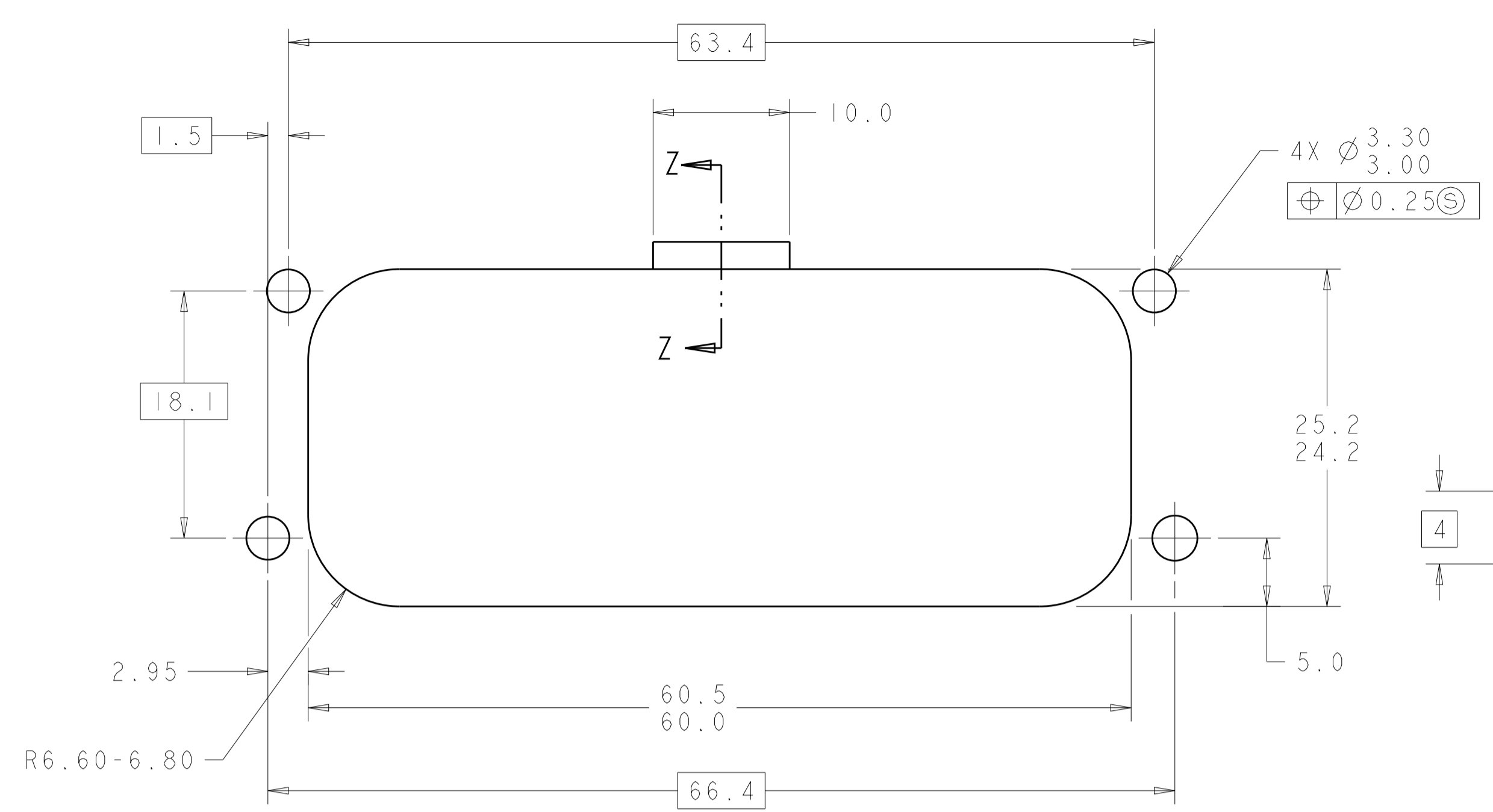


776163-1 & 1-776163-1
 KEY LOCATION AS SHOWN

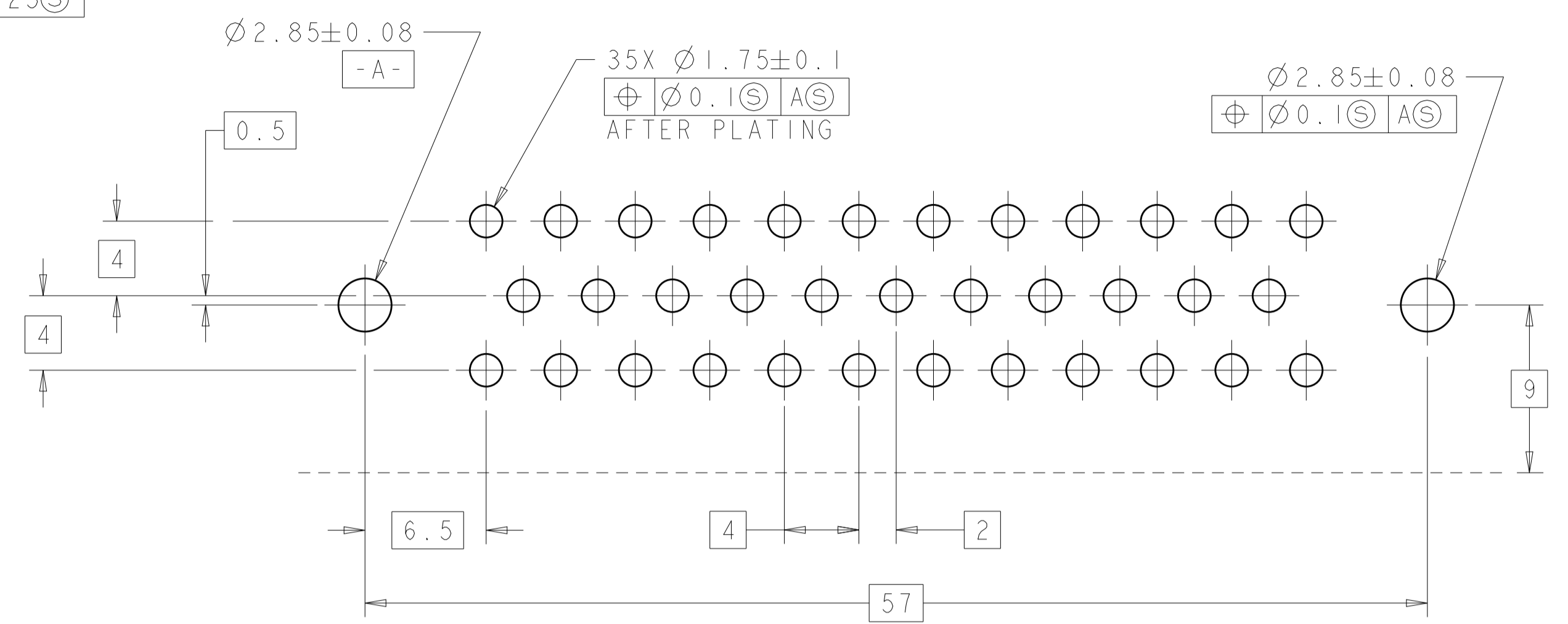
GOLD	ORANGE	1-776163-6
GOLD	BLUE	1-776163-5
GOLD	GRAY	1-776163-4
GOLD	NATURAL (WHITE)	1-776163-2
GOLD	BLACK	1-776163-1
TIN	BLUE	776163-5
TIN	GRAY	776163-4
TIN	NATURAL (WHITE)	776163-2
TIN	BLACK	776163-1
FINISH	HEADER COLOR	PART NUMBER

THIS DRAWING IS A CONTROLLED DOCUMENT.		OWN: R. VESTAL 31DEC2002	TE Connectivity NAME: HEADER ASSEMBLY, 35 POSITION, RIGHT ANGLE, AMPSEAL SIZE: CAGE CODE DRAWING NO: RESTRICTED TO A100779C=776163 SCALE: 4:1 SHEET 1 OF 2 REV: J10
DIMENSIONS: mm		CHK: D. CROWE 31DEC2002	
TOLERANCES UNLESS OTHERWISE SPECIFIED: 0 PLC ± 1 PLC ±0.2 2 PLC ± 3 PLC ± 4 PLC ± ANGLES ±		APVD: D. CROWE 31DEC2002	
MATERIAL: 4		PRODUCT SPEC: 108-1329	
FINISH: 4		APPLICATION SPEC: 114-16016	
WEIGHT: 40.45g		CUSTOMER DRAWING	

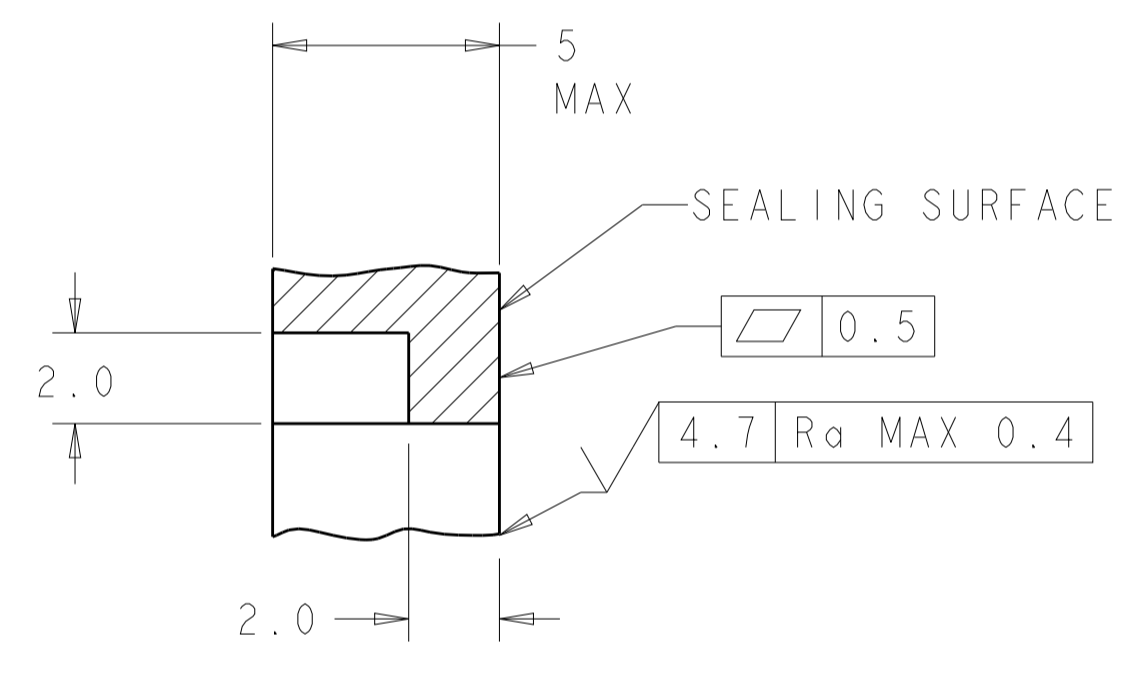
REVISIONS				
P.	LTM	DESCRIPTION	DATE	APVD
-	-	SEE SHEET 1	-	-



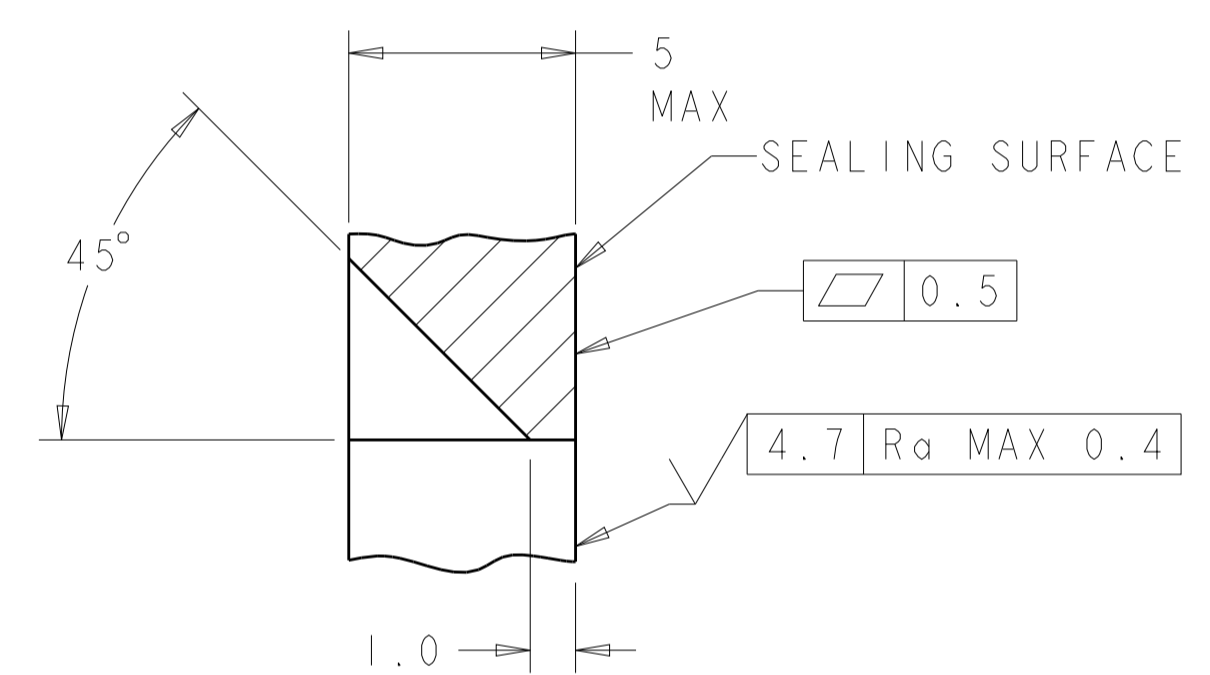
RECOMMENDED MOUNTING HOLE LAYOUT FOR 5.0 MAX THICK PANEL



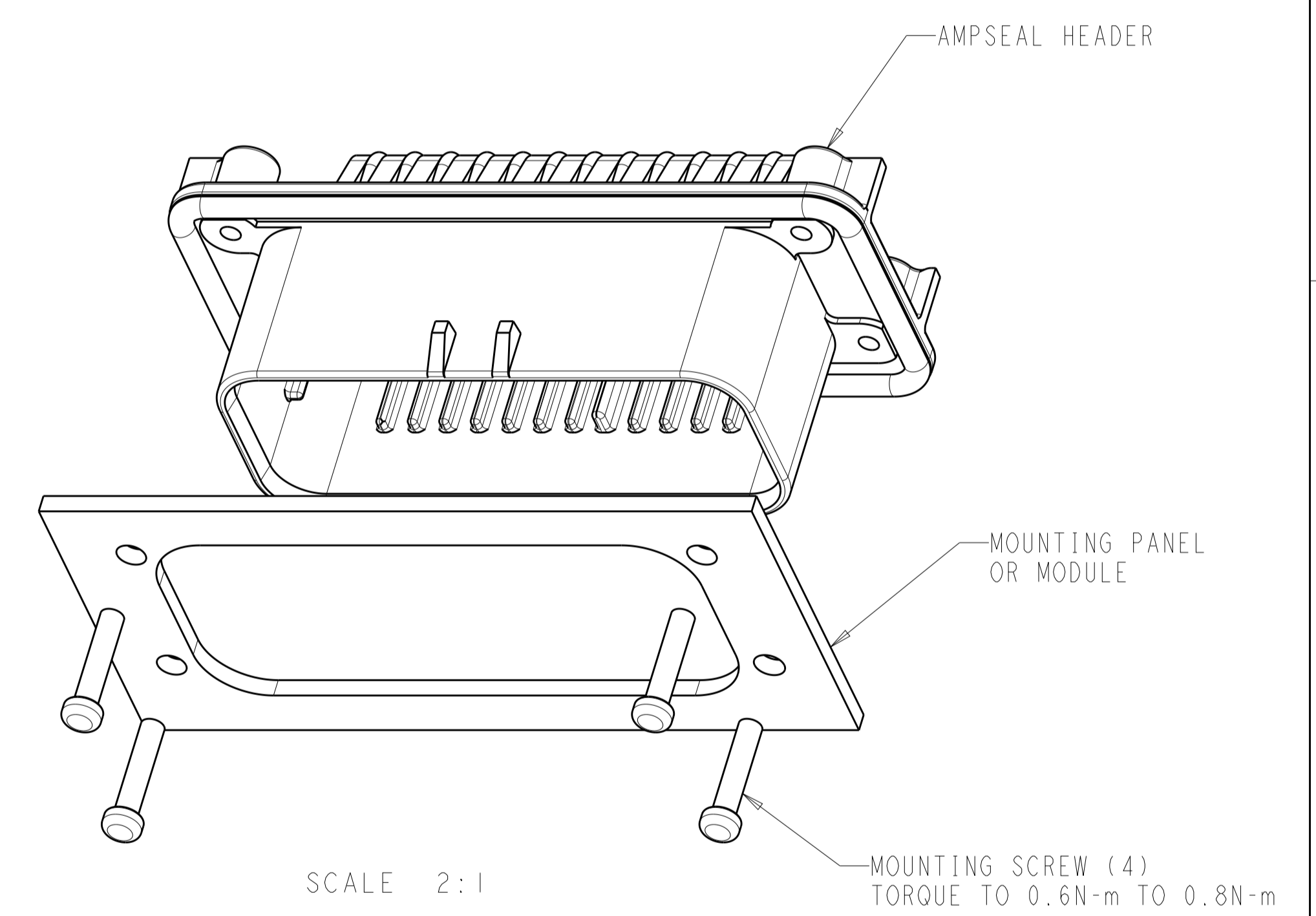
RECOMMENDED P.C. BOARD LAYOUT FOR 1.57 THICK P.C. BOARD



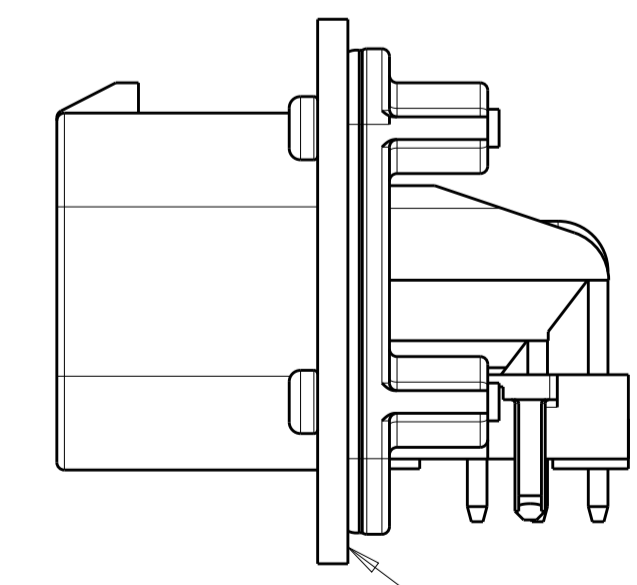
SECTION Z-Z
OPTIONAL CONSTRUCTION IF THICKNESS IS GREATER THAN 2.0
SCALE 6:1



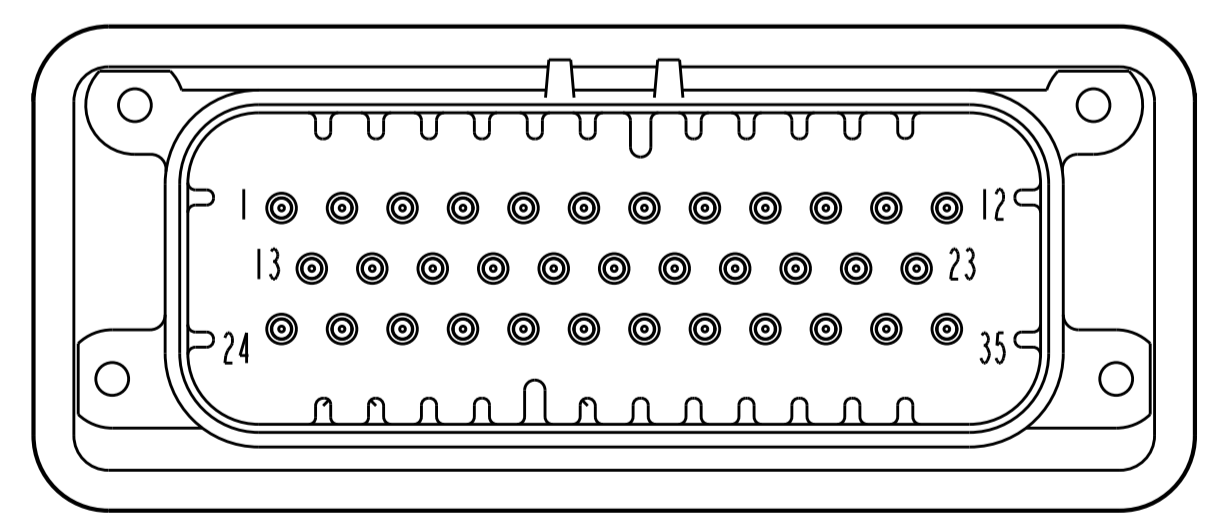
SECTION Z-Z
OPTIONAL CONSTRUCTION IF THICKNESS IS GREATER THAN 2.0
SCALE 6:1



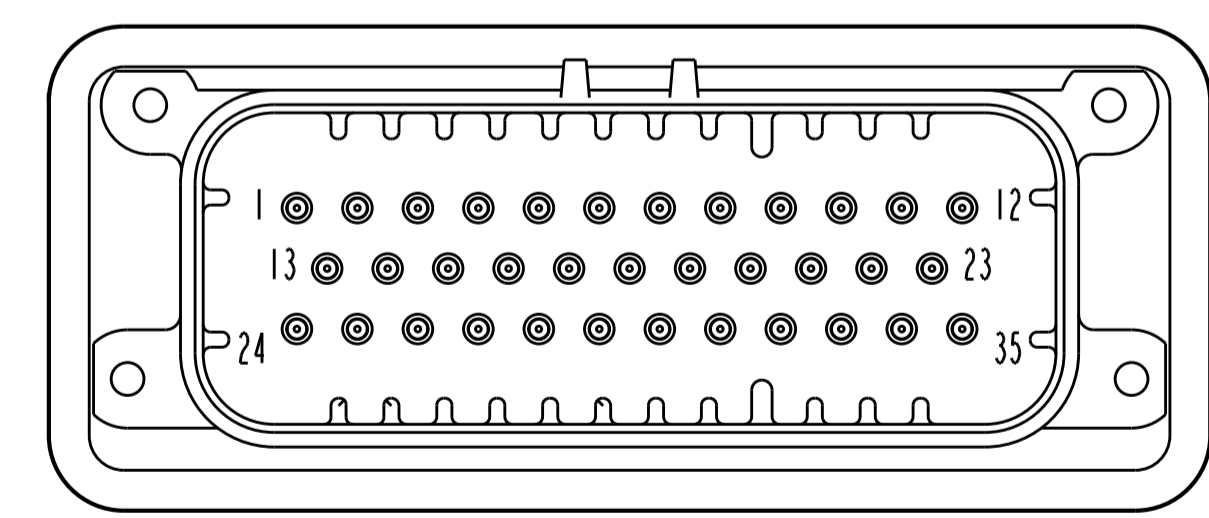
SCALE 2:1



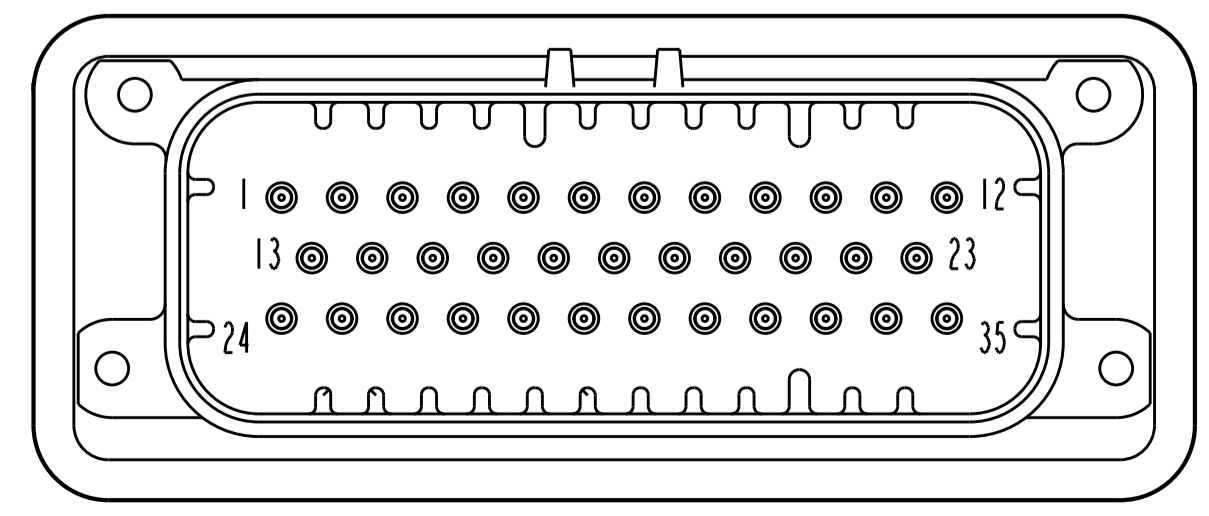
SCALE 2:1
ENSURE THE HEADER IS FLUSH TO THE PANEL FACE ALL AROUND BEFORE TIGHTENING TO FINAL TORQUE



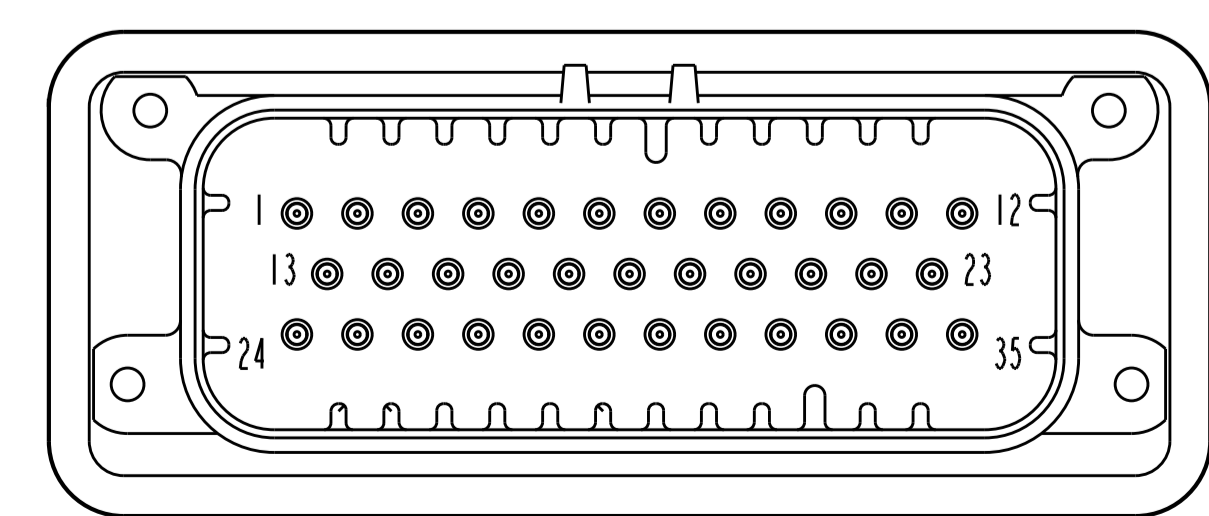
776163-2 & 1-776163-2
KEY LOCATION AS SHOWN
SCALE 2:1



776163-4 & 1-776163-4
KEY LOCATION AS SHOWN
SCALE 2:1



776163-5 & 1-776163-5
KEY LOCATION AS SHOWN
SCALE 2:1



1-776163-6
KEY LOCATION AS SHOWN
SCALE 2:1

THIS DRAWING IS A CONTROLLED DOCUMENT.		OWN: R. VESTAL 31DEC2002	TE Connectivity
DIMENSIONS: mm		CHK: D. CROWE 31DEC2002	
TOLERANCES UNLESS OTHERWISE SPECIFIED:		APVD: D. CROWE 31DEC2002	NAME: HEADER ASSEMBLY, 35 POSITION, RIGHT ANGLE, AMPSEAL
0 PLC	±	PRODUCT SPEC	SIZE: CAGE CODE DRAWING NO. RESTRICTED TO
1 PLC	±0.2	108-1329	A100779C=776163
2 PLC	±	APPLICATION SPEC	SCALE 4:1 SHEET 2 OF 2 REV J10
3 PLC	±	114-16016	
4 PLC	±	WEIGHT 40.45g	
ANGLES	±	CUSTOMER DRAWING	
MATERIAL			
FINISH			

单击下面可查看定价，库存，交付和生命周期等信息

[>>TE Connectivity\(泰科\)](#)