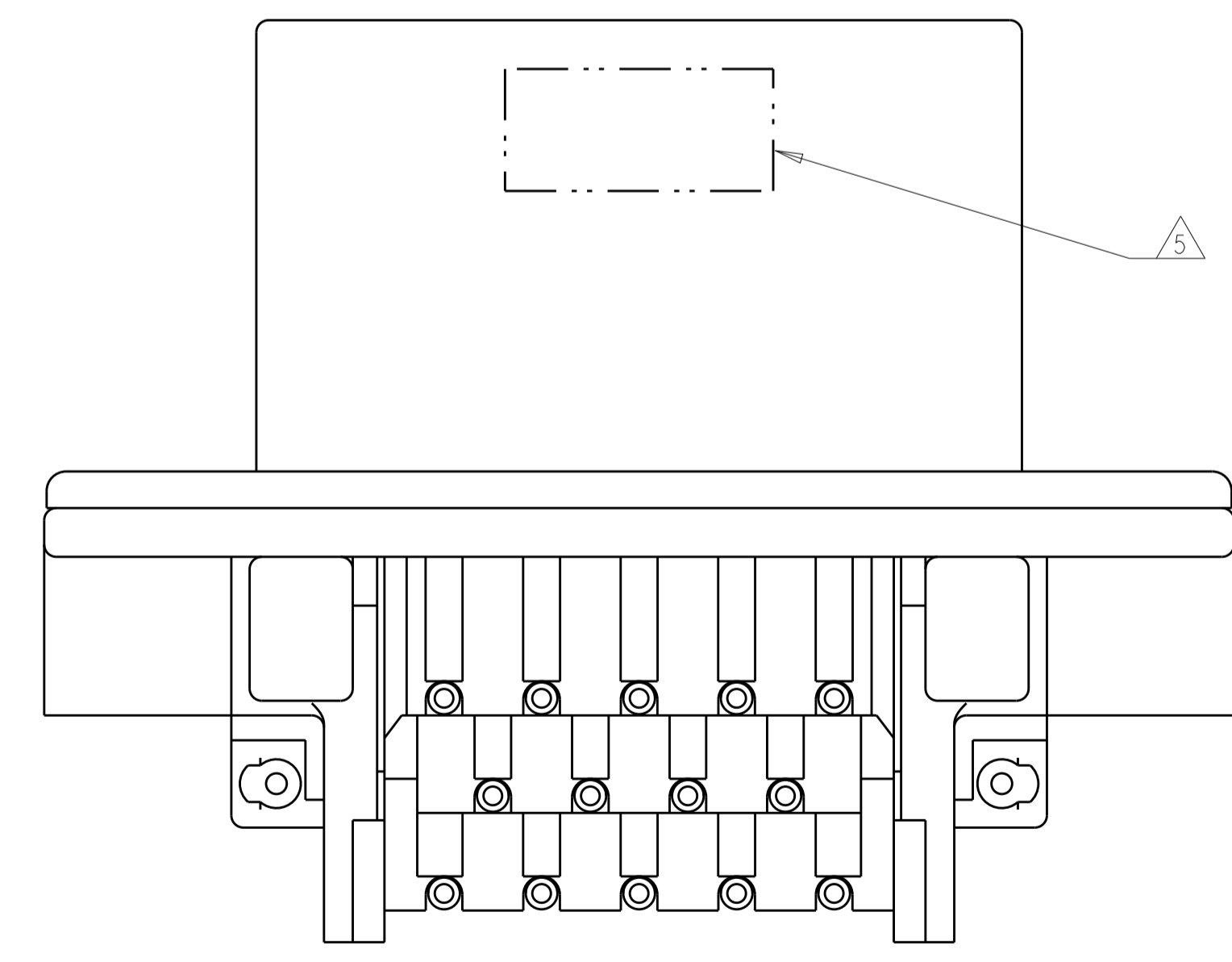
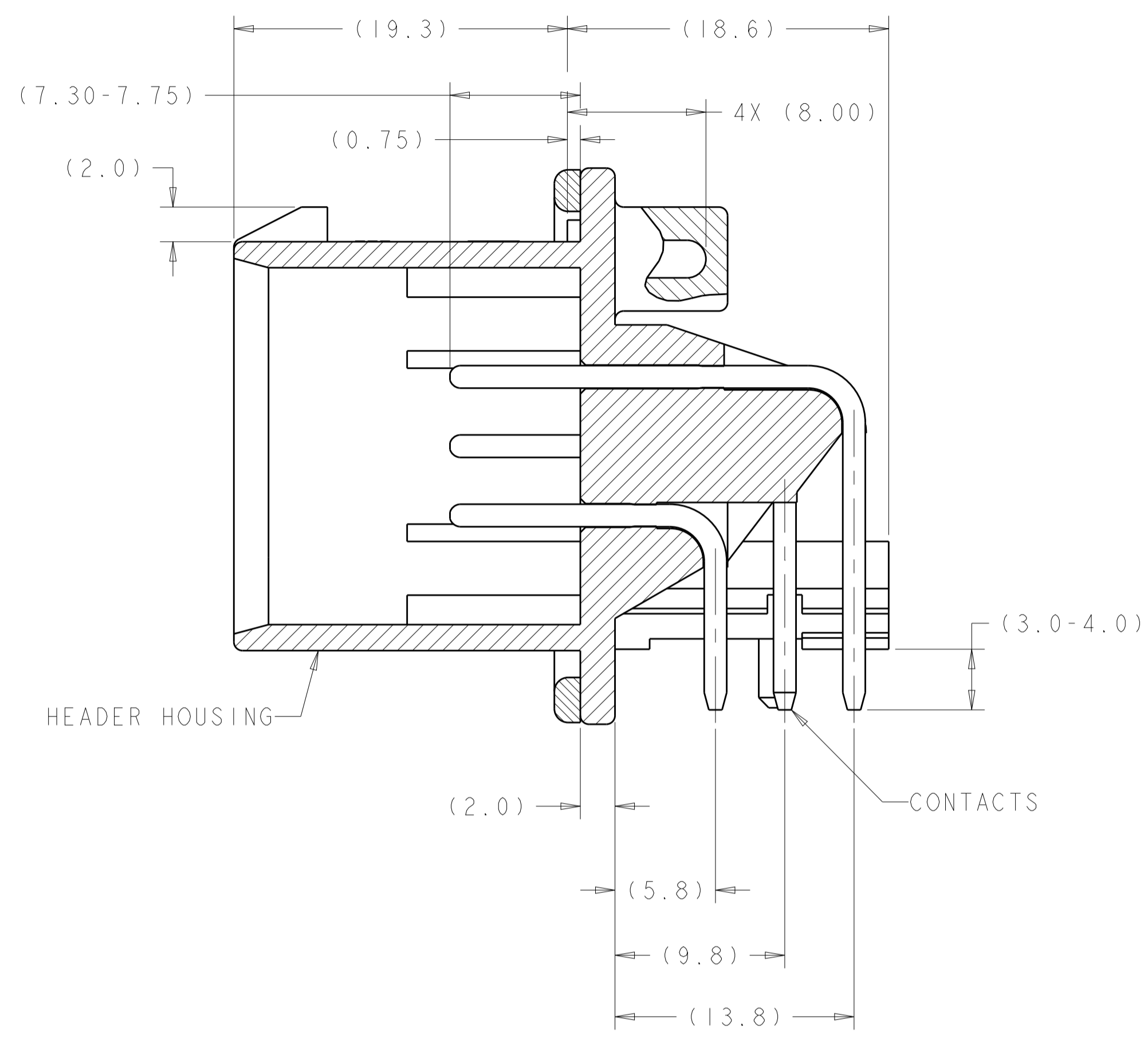
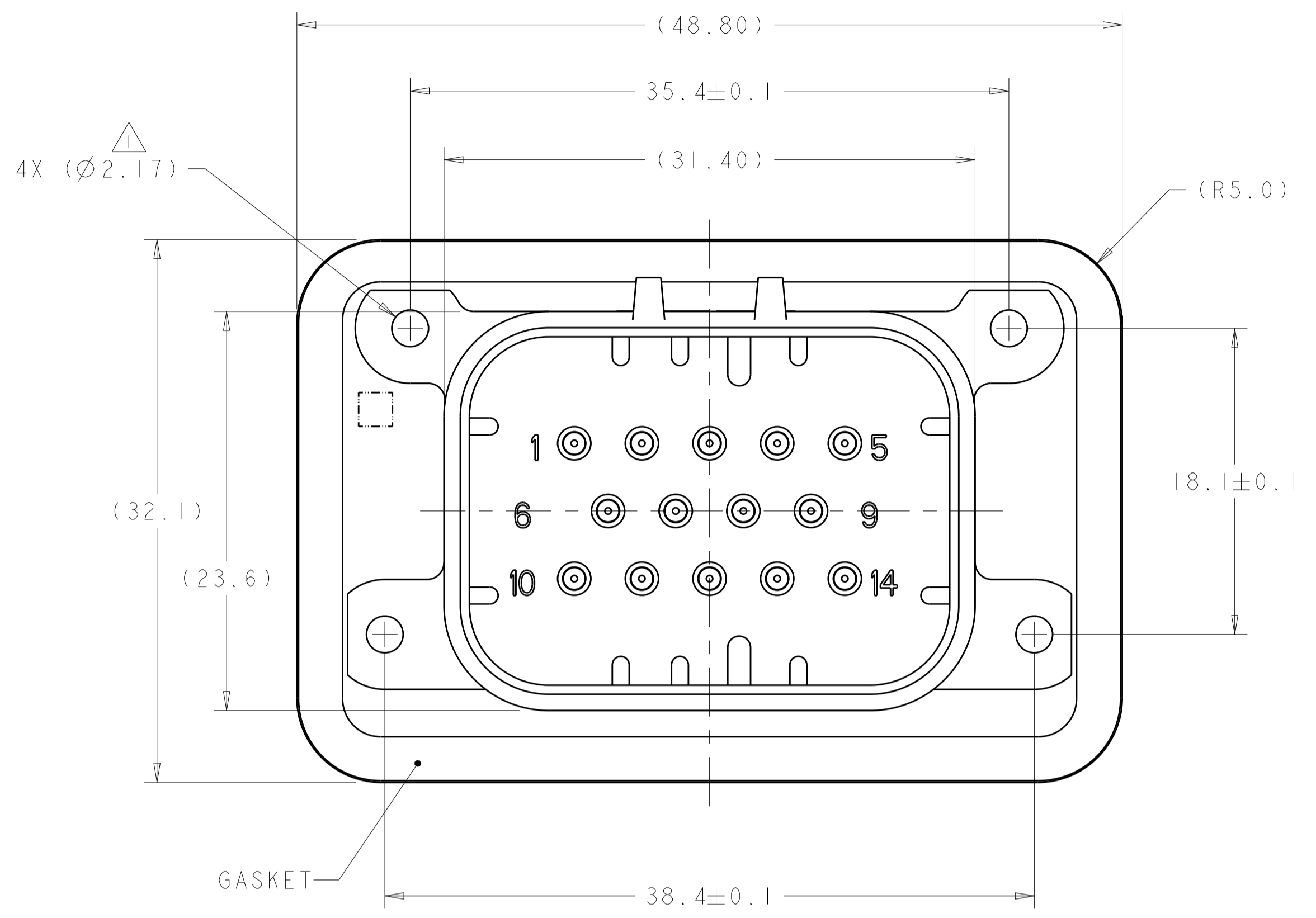


REVISIONS				
P	LTN	DESCRIPTION	DATE	APVD
B8		REVISED PER ECO-19-009419	19JUN2019	DS DS
B9		REVISED PER ECO-20-004256	25MAR2020	JM DS



- ⚠ SUGGESTED MOUNTING SCREW SIZE IS $\varnothing 2.50-3.00\text{mm}$ [$\varnothing 0.099 - 0.118$ INCH] SELF TAPPING THREAD FORMING SCREW, SUCH AS DELTA PT, TO BE DRIVEN AT 0.6-0.8 N-m. THE CUSTOMER SHOULD TEST THE SCREW SIZE AND TYPE IN ORDER TO VERIFY THEIR SELECTION FOR THEIR APPLICATION.
- ⚠ HOUSING COLORS ARE MECHANICALLY KEYED TO MATE ONLY WITH IDENTICALLY COLORED PLUG ASSEMBLIES.
- 3. HEADER MATES TO PLUG ASSEMBLY 776273 WHICH USES REELED TERMINAL 770520 OR LOOSE PIECE TERMINAL 770854
- ⚠ MATERIAL: GASKET - SILICONE
 HEADER HOUSING - GLASS FILLED PBT
 PINS - TIN OR GOLD PLATED BRASS
- ⚠ DATE CODE TO BE BRANDED ON THIS SURFACE PER TE SPEC 102-60. USE 5 DIGIT CODE: FIRST 2 DIGITS = YEAR, SECOND 2 DIGITS = WEEK, LAST DIGIT = DAY.

776267-1 & 1-776267-1 SHOWN

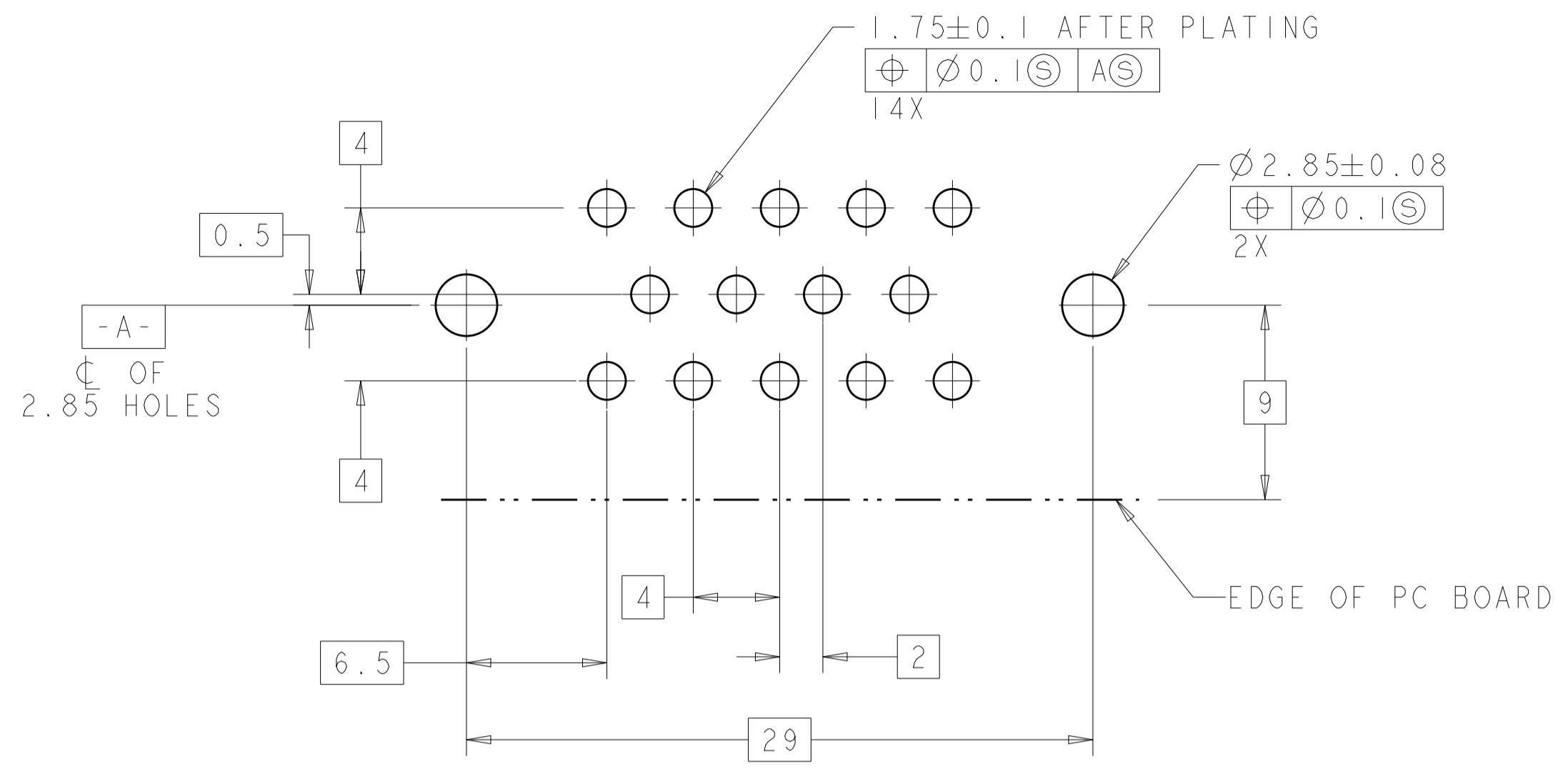
HEADER HOUSING COLOR	DESCRIPTION	PART NUMBER
BLUE	GOLD PLATED	1-776267-5
GRAY	GOLD PLATED	1-776267-4
NATURAL	GOLD PLATED	1-776267-2
BLACK	GOLD PLATED	1-776267-1
BLUE	TIN PLATED	776267-5
GRAY	TIN PLATED	776267-4
NATURAL	TIN PLATED	776267-2
BLACK	TIN PLATED	776267-1

THIS DRAWING IS A CONTROLLED DOCUMENT.

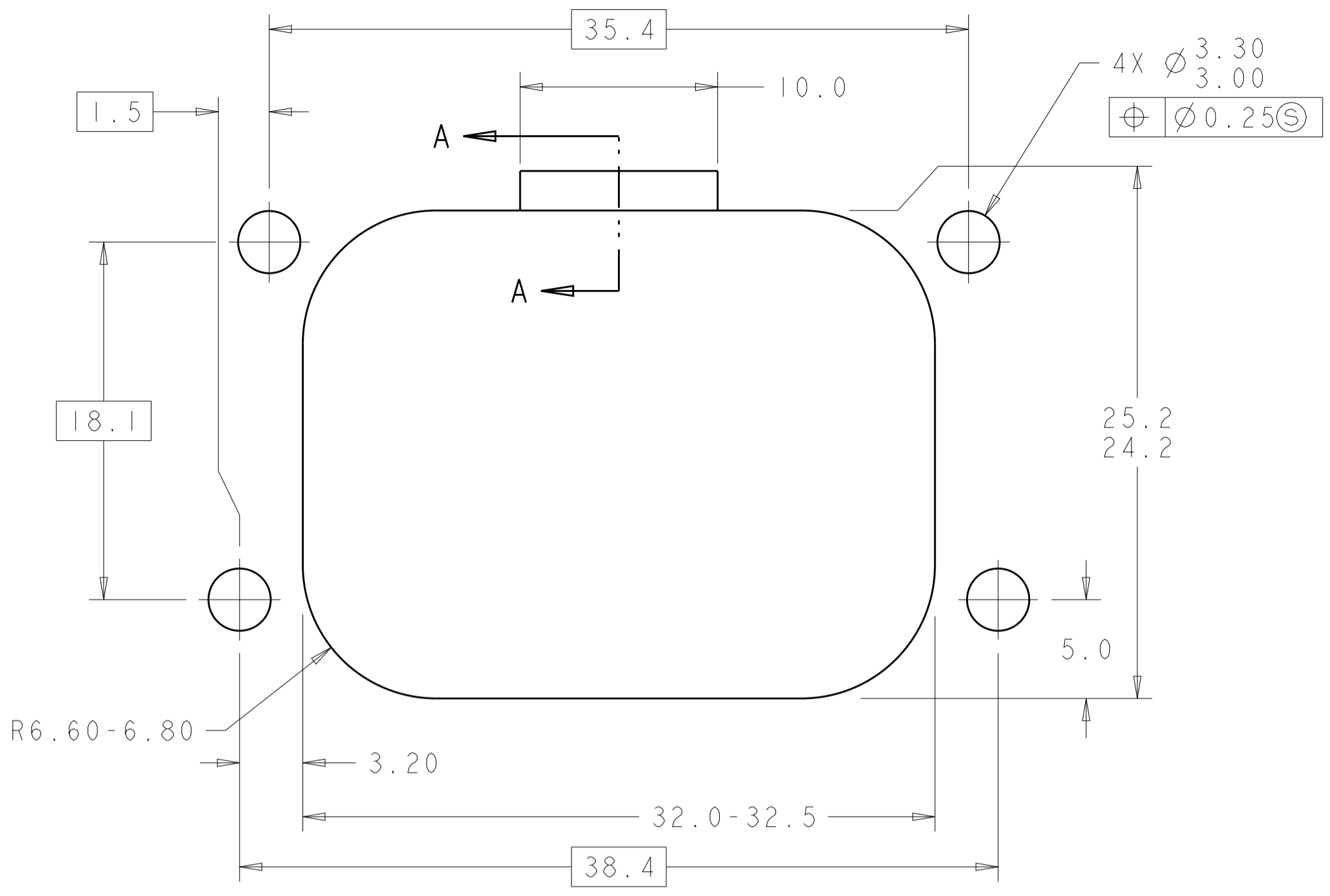
DIMENSIONS:	TOLERANCES UNLESS OTHERWISE SPECIFIED:	OWN: D. DRUMMOND 18AUG2010	CHK: D. STRAUSSER 18AUG2010	APVD: D. STRAUSSER 18AUG2010
mm	0 PLC ±0.2 2 PLC ±0.13 3 PLC ±0.13 4 PLC ±0.13 ANGLES ±4°	NAME: D. STRAUSSER	PRODUCT SPEC: 108-1329	APPLICATION SPEC: 114-16016
MATERIAL: 4	FINISH: 4	WEIGHT: 21.10g	SIZE: 114-16016	RESTRICTED TO: A100779
CUSTOMER DRAWING		SCALE: 4:1	SHEET: 1 OF 2	REV: B9

TE Connectivity
 HEADER ASSEMBLY, 14 POSITION, RIGHT ANGLE, AMPSEAL

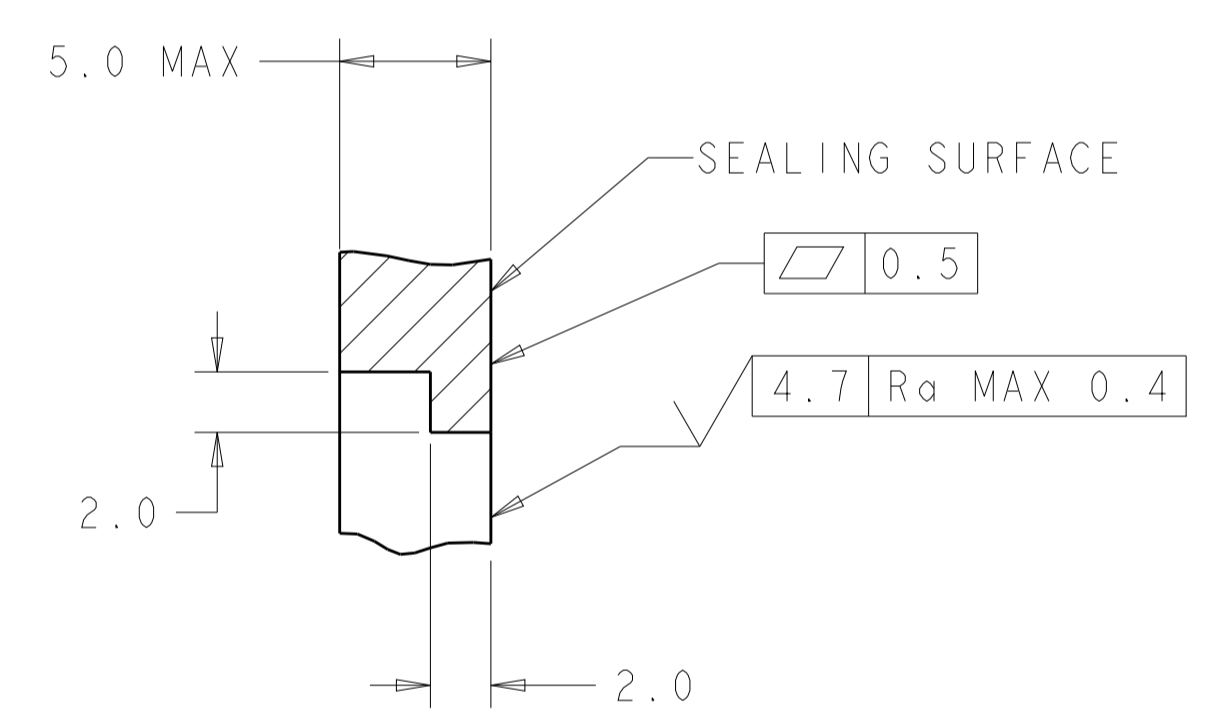
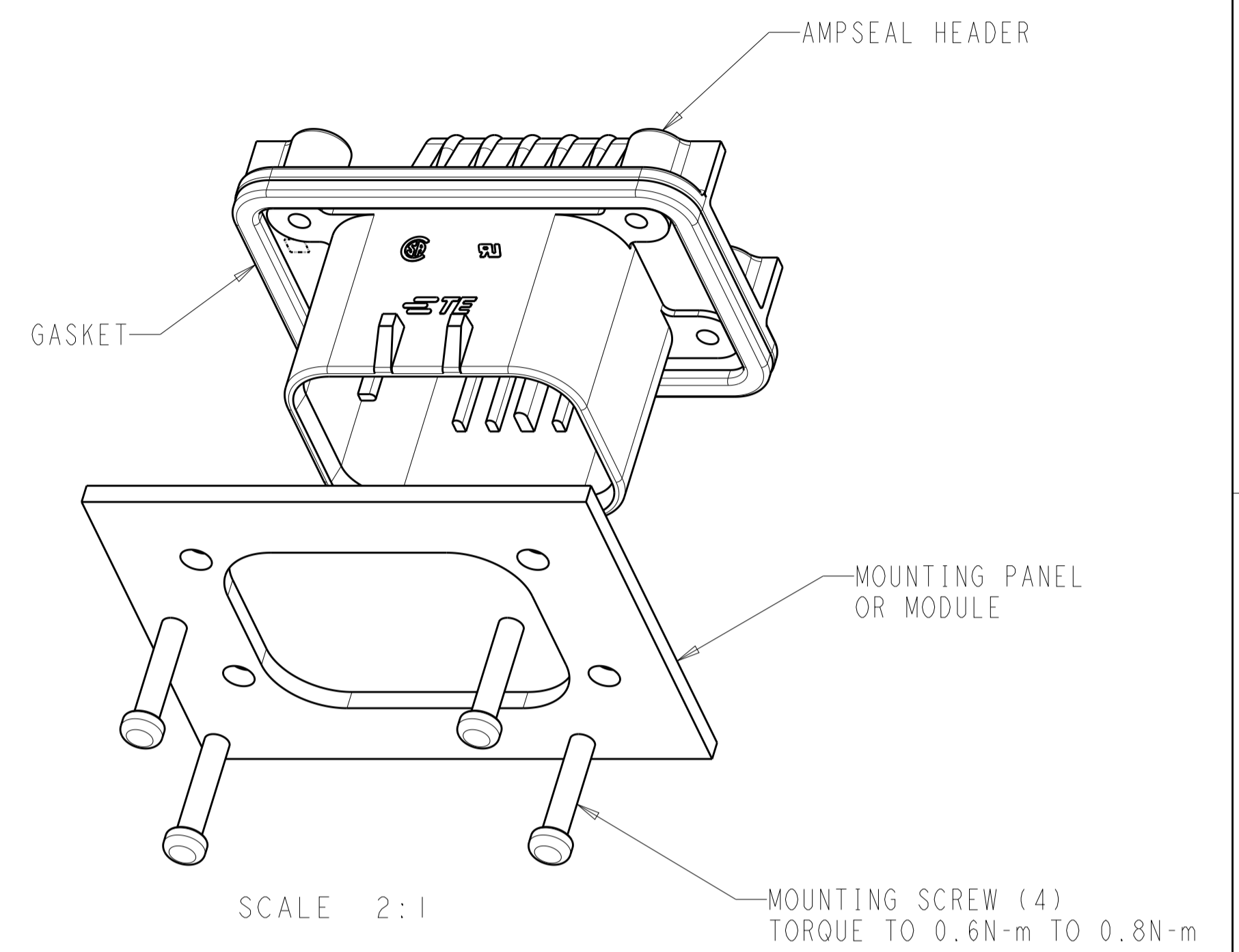
REVISIONS				
P.	LTN.	DESCRIPTION	DATE	APVD.
-	-	SEE SHEET 1	-	-



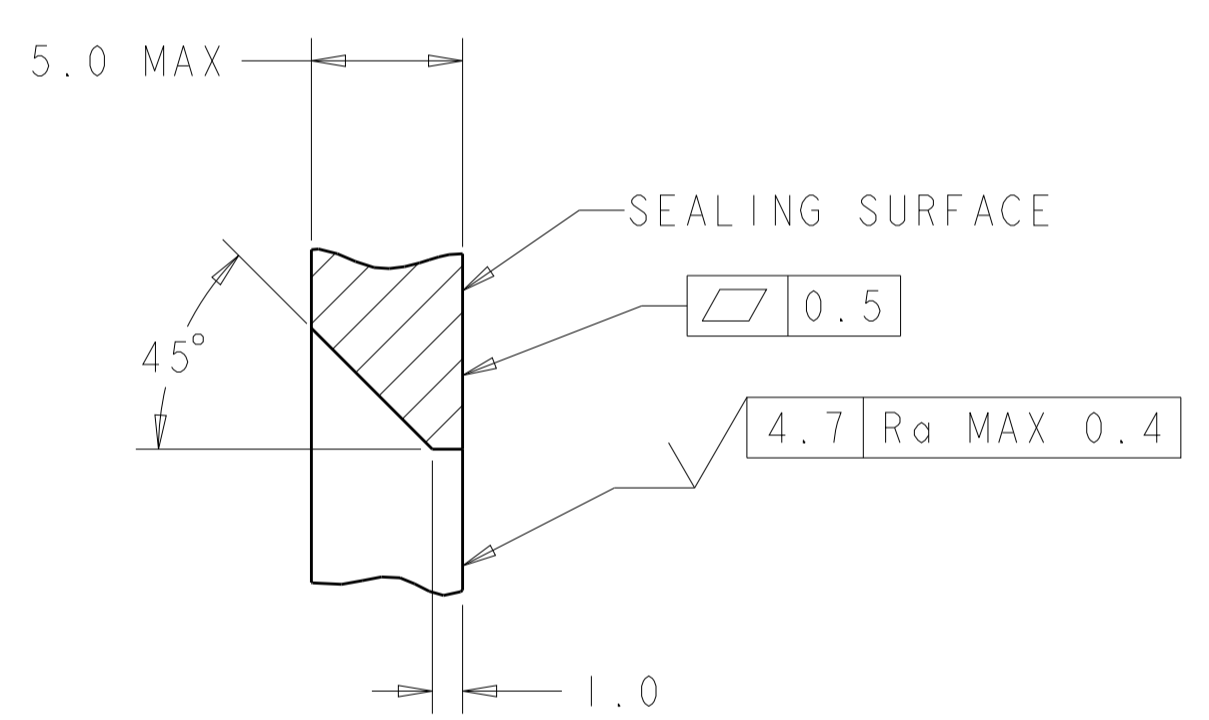
RECOMMENDED PC BOARD LAYOUT FOR 1.57 PC BOARD



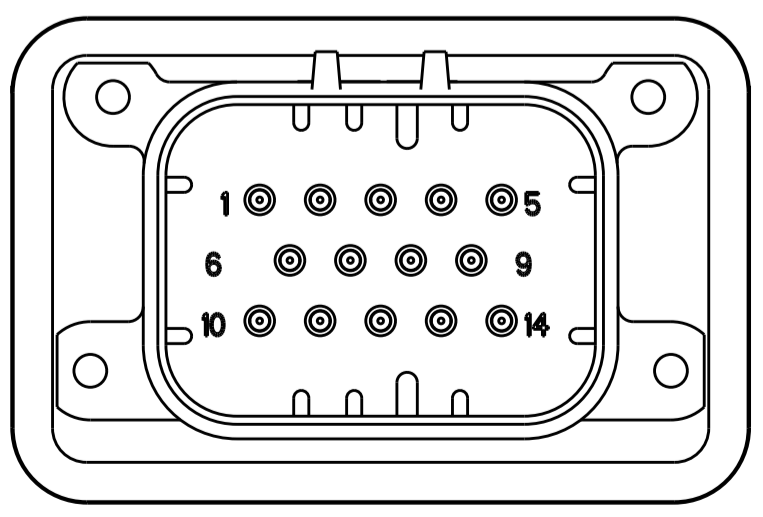
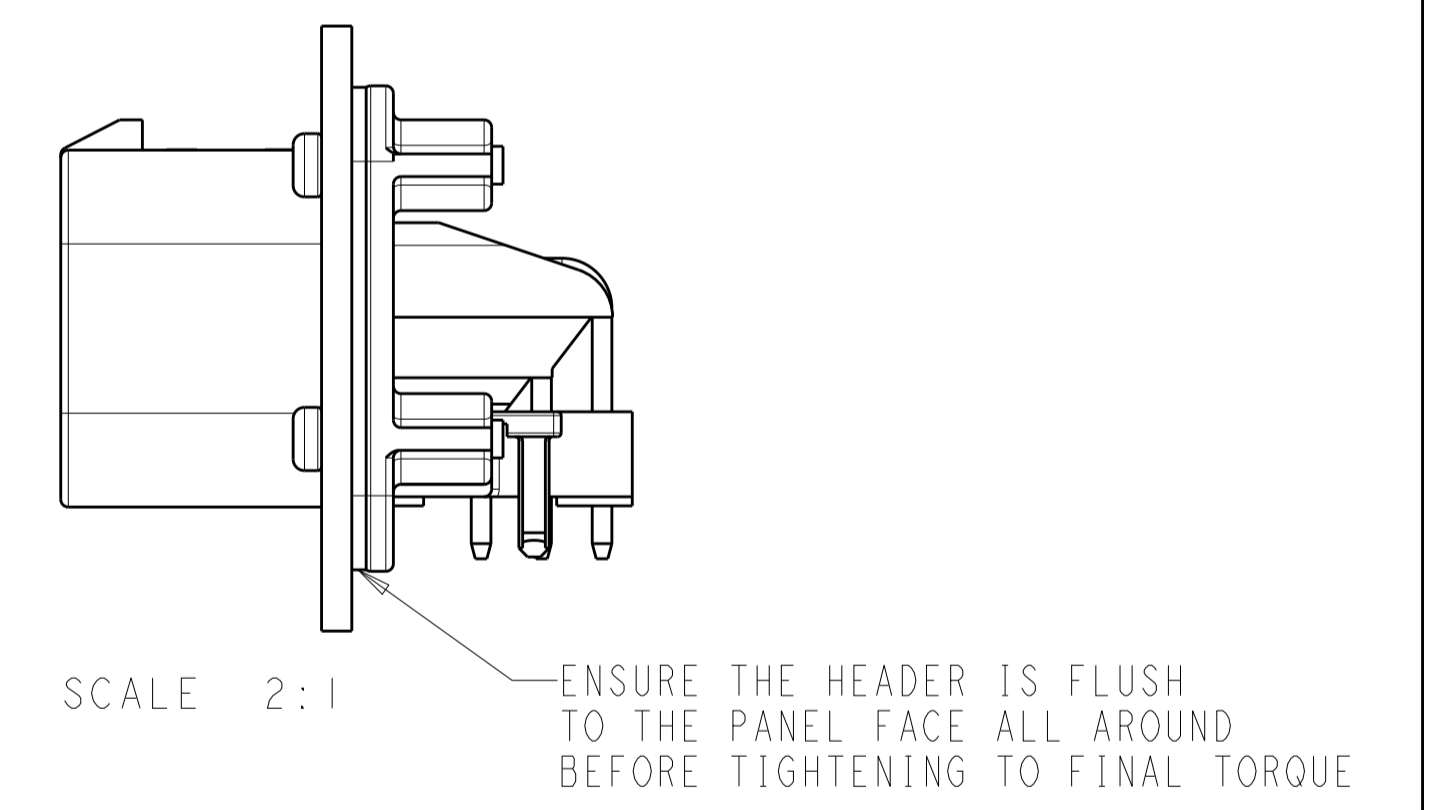
RECOMMENDED MOUNTING HOLE LAYOUT FOR 5.0 MAXIMUM THICK PANEL



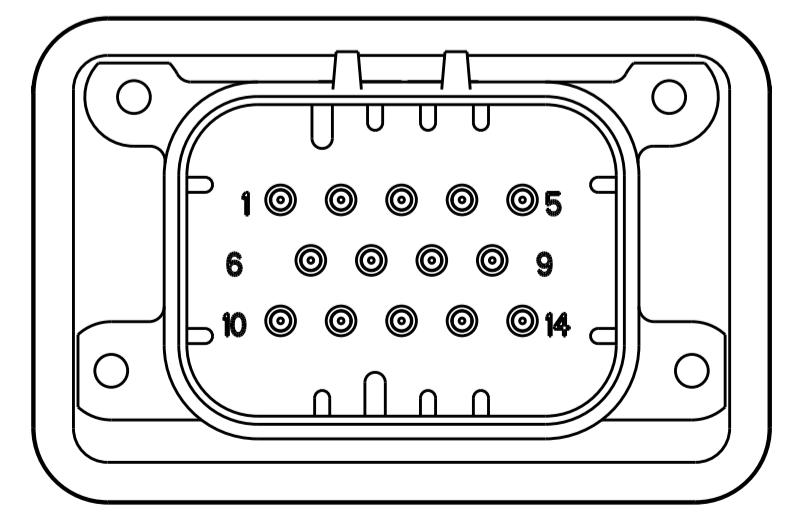
SECTION A-A
OPTIONAL CONSTRUCTION IF THICKNESS IS GREATER THEN 2.0



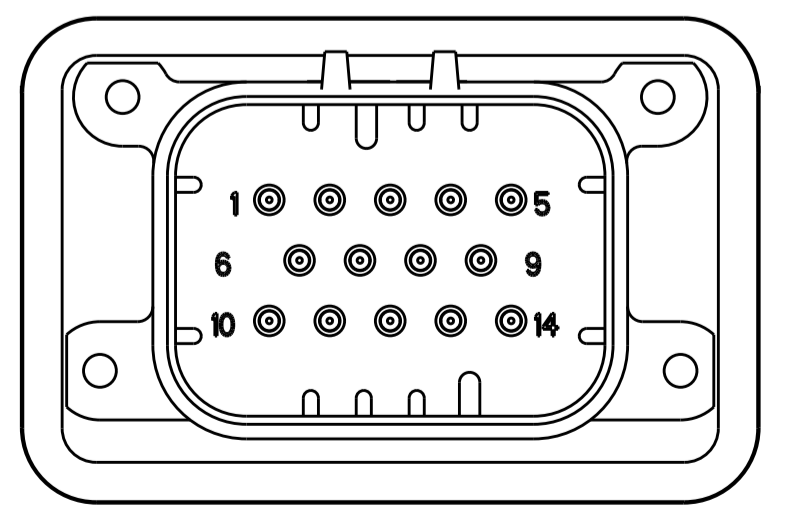
SECTION A-A
OPTIONAL CONSTRUCTION IF THICKNESS IS GREATER THEN 2.0



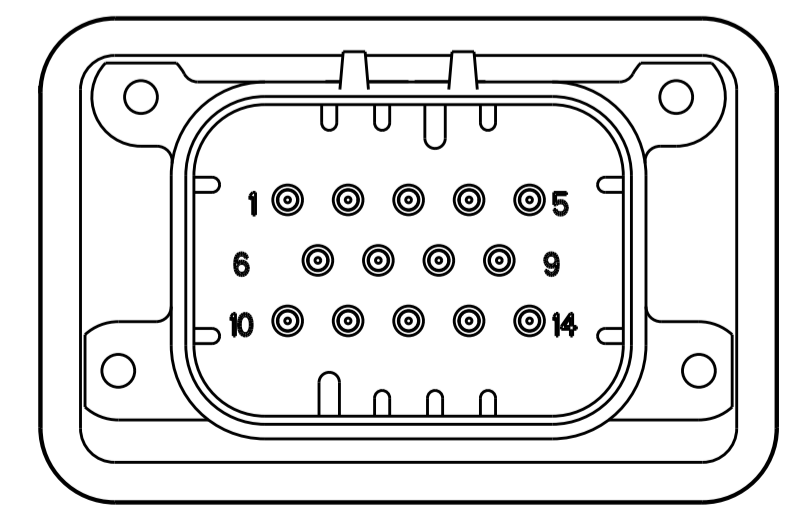
776267-1 & 1-776267-1
KEY LOCATION
SCALE 2:1



776267-2 & 1-776267-2
KEY LOCATION
SCALE 2:1



776267-4 & 1-776267-4
KEY LOCATION
SCALE 2:1



776267-5 & 1-776267-5
KEY LOCATION
SCALE 2:1

THIS DRAWING IS A CONTROLLED DOCUMENT.		OWN: D. DRUMMOND 18AUG2010	TE Connectivity
DIMENSIONS: mm		CHK: D. STRAUSSER 18AUG2010	
TOLERANCES UNLESS OTHERWISE SPECIFIED:		APVD: D. STRAUSSER 18AUG2010	NAME: HEADER ASSEMBLY, 14 POSITION, RIGHT ANGLE, AMPSEAL
0 PLC	±0.2	PRODUCT SPEC	SIZE: CAGE CODE DRAWING NO
2 PLC	±0.13	108-1329	RESTRICTED TO
3 PLC	±0.13	APPLICATION SPEC	A100779C=776267
4 PLC	±0.13	114-16016	SCALE: 4:1 SHEET 2 OF 2 REV: B9
ANGLES	±0.5°	WEIGHT: 21.10	
MATERIAL:		CUSTOMER DRAWING	

单击下面可查看定价，库存，交付和生命周期等信息

[>>TE Connectivity\(泰科\)](#)