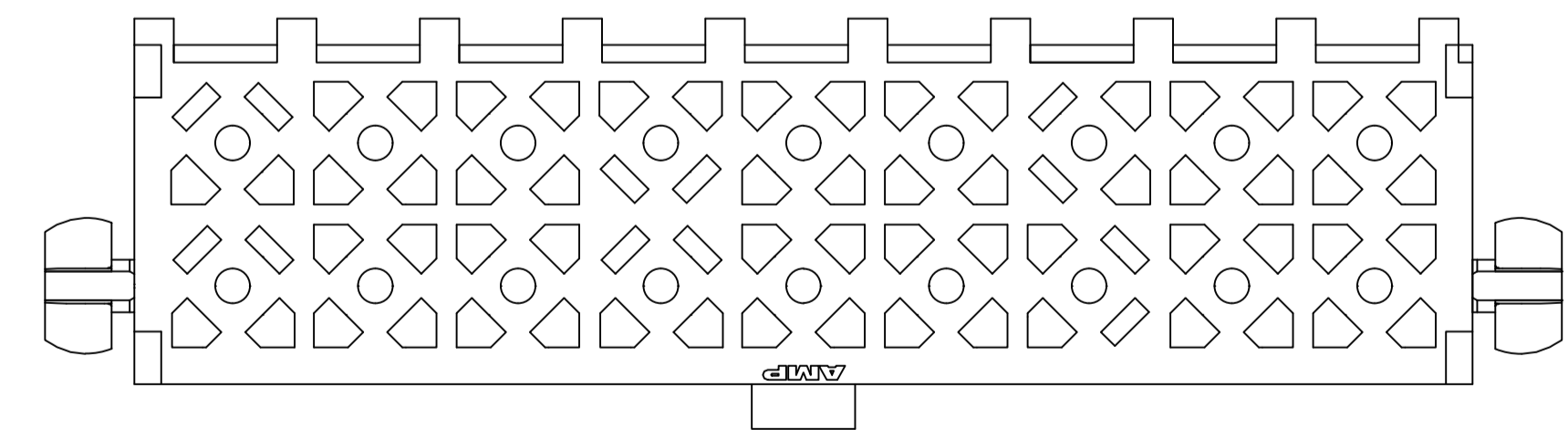
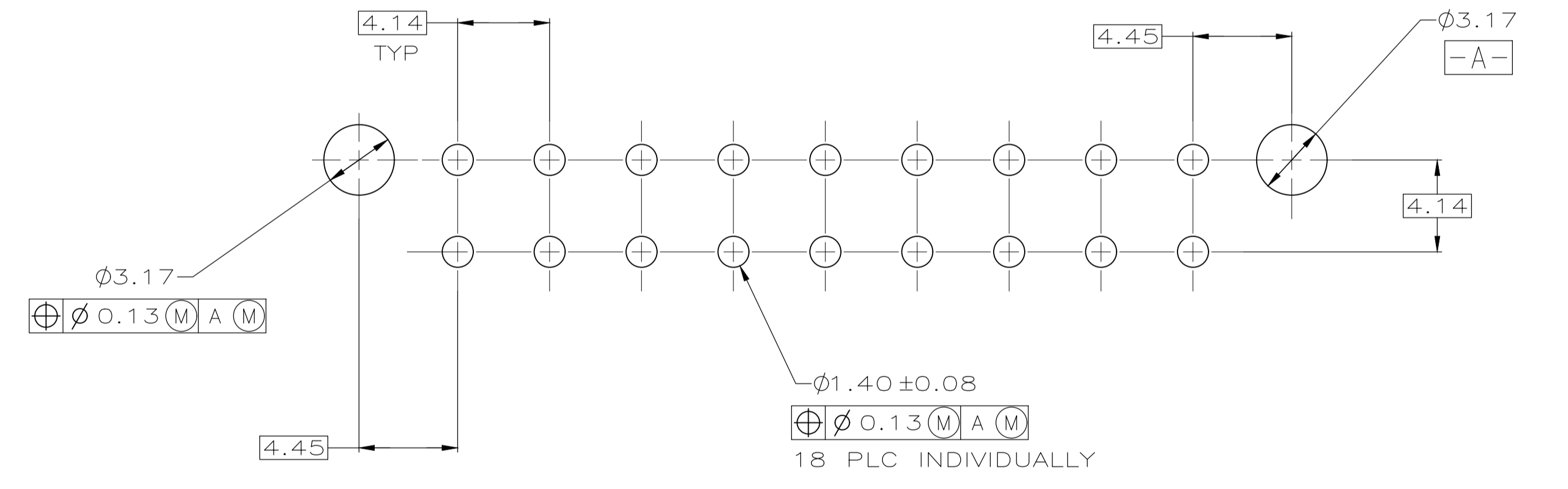
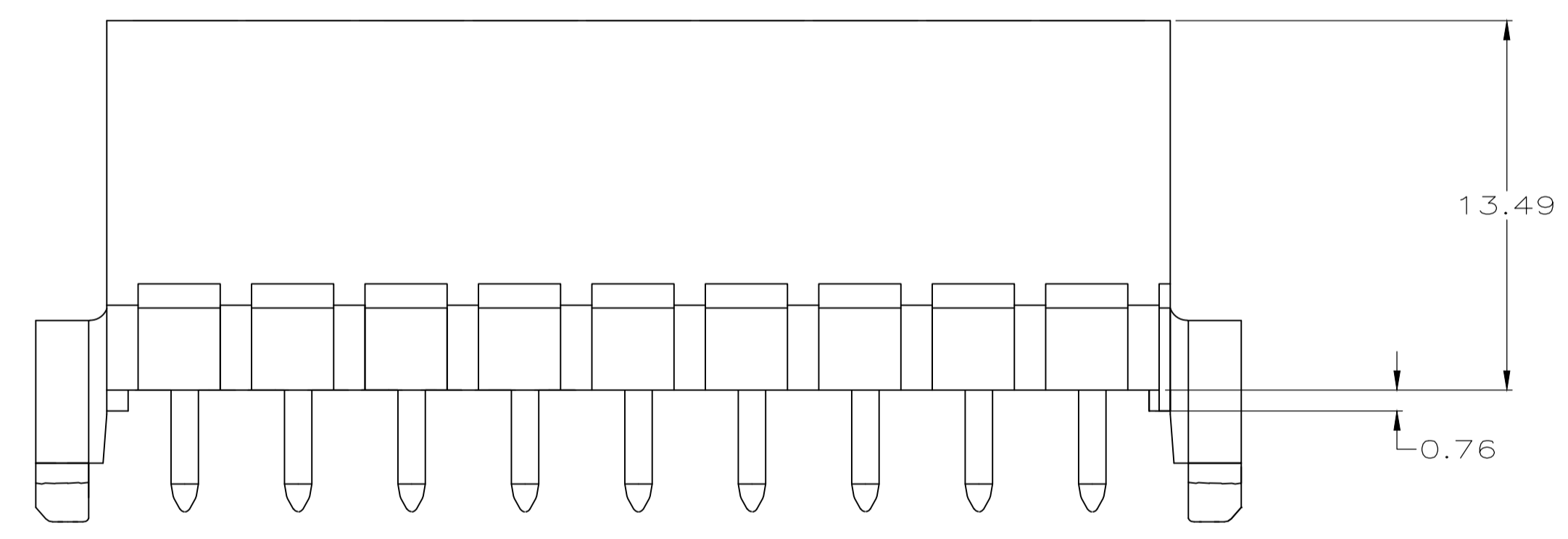
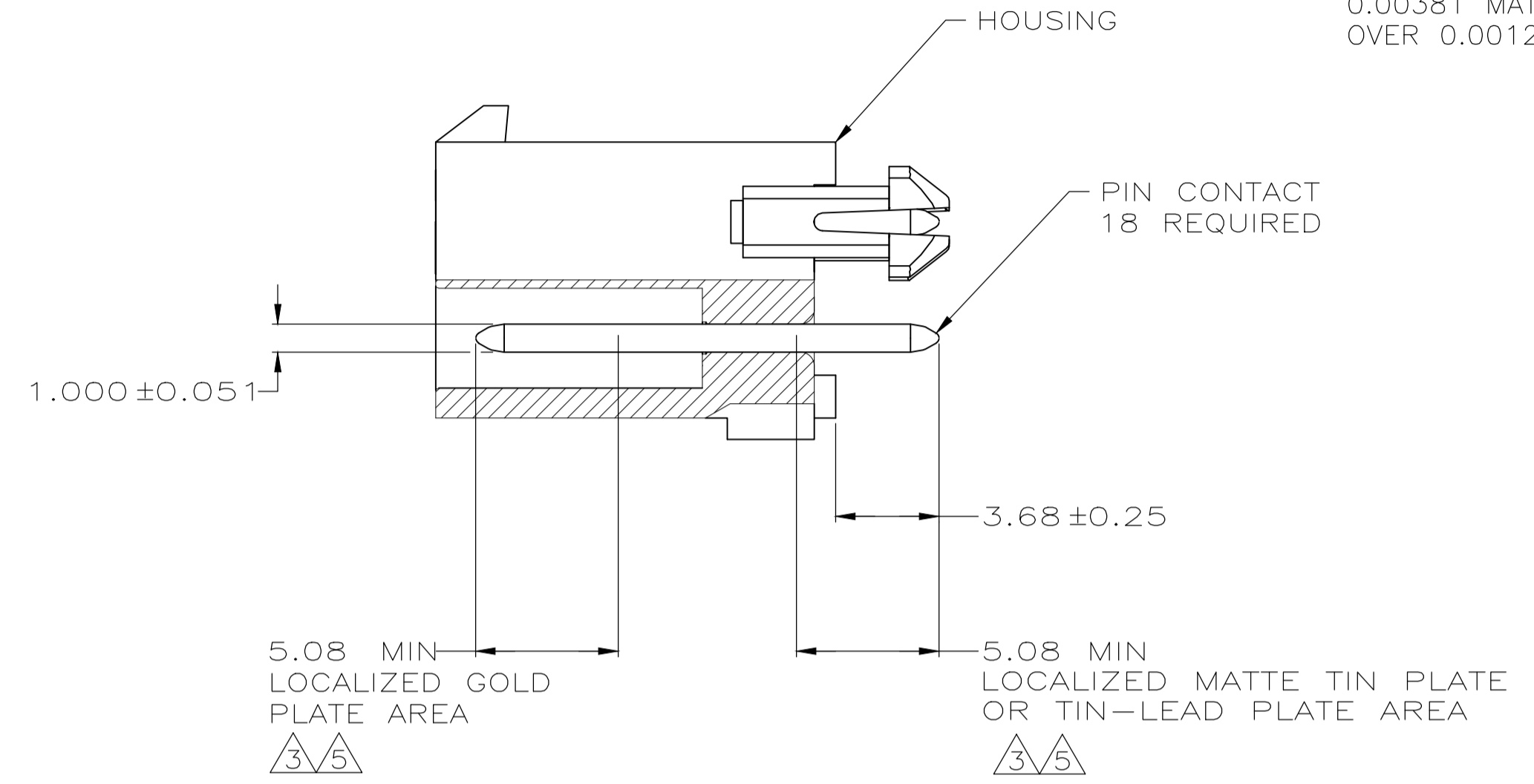
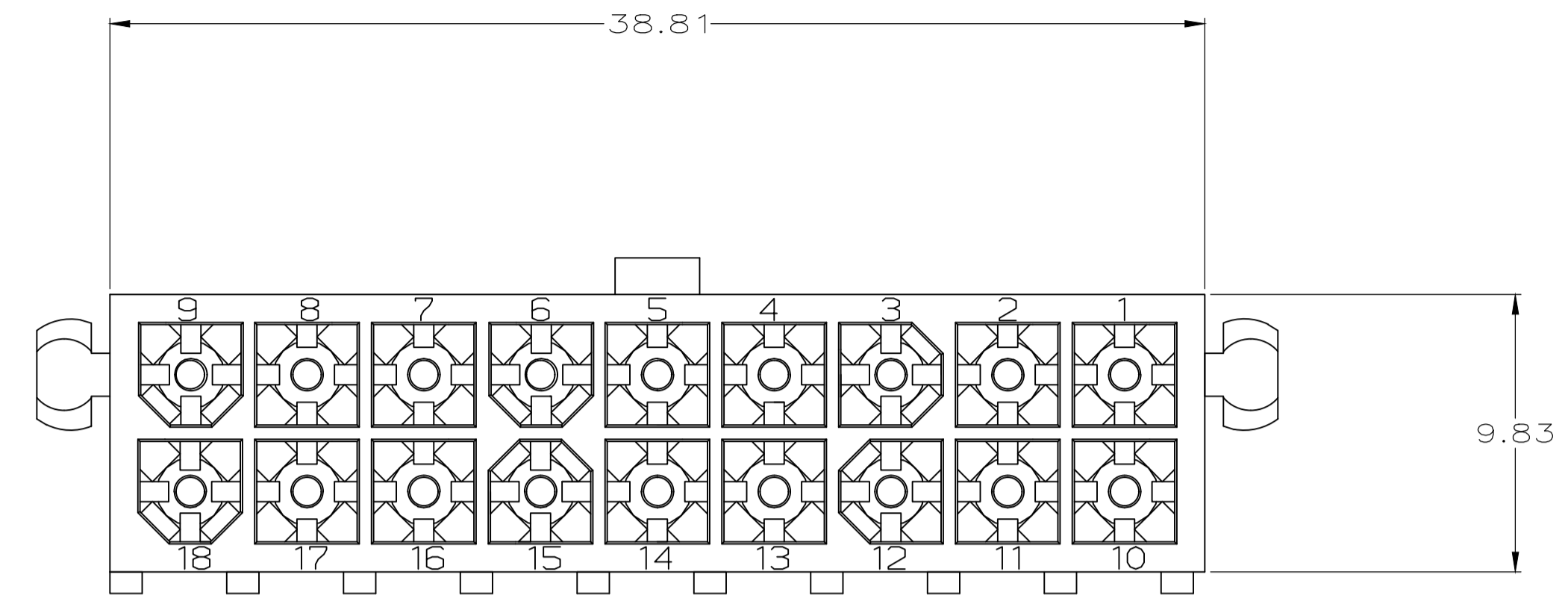


LOC	DIST	REVISIONS			
CM	0	REV	DESCRIPTION	DATE	BY
E1		REVISED PER	ECR-18-005392	28NOV2018	BDA SG

- PINS TO COMPLY WITH AMP SOLDERABILITY SPEC. 108-11-3.
- 0.00381 MIN MATTE TIN LEAD OVER 0.00127 MIN NICKEL.
- 0.00076 MIN GOLD PLATE IN THE LOCALIZED PLATE AREA, 0.00381 MATTE TIN LEAD IN THE LOCALIZED PLATE AREA, BOTH OVER 0.00127 MIN NICKEL.
- 0.00381 MIN MATTE TIN OVER 0.00127 MIN NICKEL.
- 0.00076 MIN GOLD PLATE IN THE LOCALIZED PLATE AREA, 0.00381 MATTE TIN IN THE LOCALIZED PLATE AREA, BOTH OVER 0.00127 MIN NICKEL.



RECOMMENDED MOUNTING HOLE PATTERN FOR 1.57 THICK P.C. BOARD

PIN CONTACT MATERIAL AND FINISH	HOUSING MATERIAL AND COLOR	PART NUMBER
BRASS, GOLD	NYLON, 94V-0, WHITE	1-794069-1
BRASS, TIN	NYLON, 94V-0, WHITE	1-794069-0
OBSOLETE BRASS, GOLD	NYLON, 94V-0, WHITE	794069-2
OBSOLETE BRASS, TIN LEAD	NYLON, 94V-0, WHITE	794069-1

THIS DRAWING IS A CONTROLLED DOCUMENT.

DIMENSIONS: mm	TOLERANCES UNLESS OTHERWISE SPECIFIED:	DIN K. WHITAKER 6-09-95	CHK R. SWING 6-09-95	APPROVED R. ORSTAD 6-13-95	NAME	
0 PLC ± -	1 PLC ± -	TE Connectivity HEADER ASSEMBLY, 18 CIRCUIT, DOUBLE ROW VERTICAL, MINI-UNIVERSAL MATE-N-LOK			SIZE	
2 PLC ± 0.13	3 PLC ± -				APPLICATION SPEC	RESTRICTED TO
4 PLC ± -	ANGLES ± -				WEIGHT	SCALE
MATERIAL SEE TABLE	FINISH SEE TABLE				CUSTOMER DRAWING	SCALE 5:1

WEIGHT: ---
 SCALE: 5:1
 SHEET: 1 OF 1
 REV: E1

单击下面可查看定价，库存，交付和生命周期等信息

[>>TE Connectivity\(泰科\)](#)