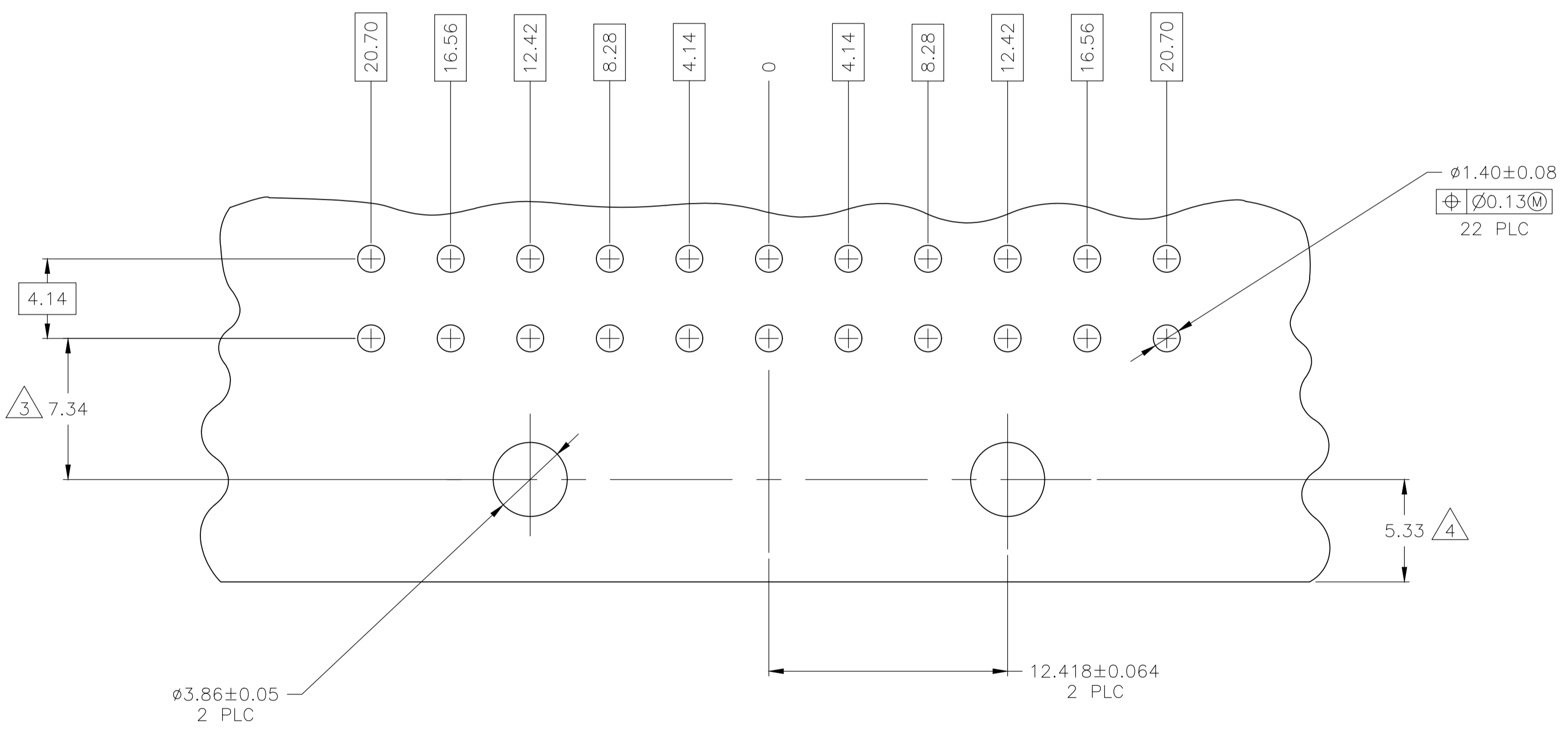
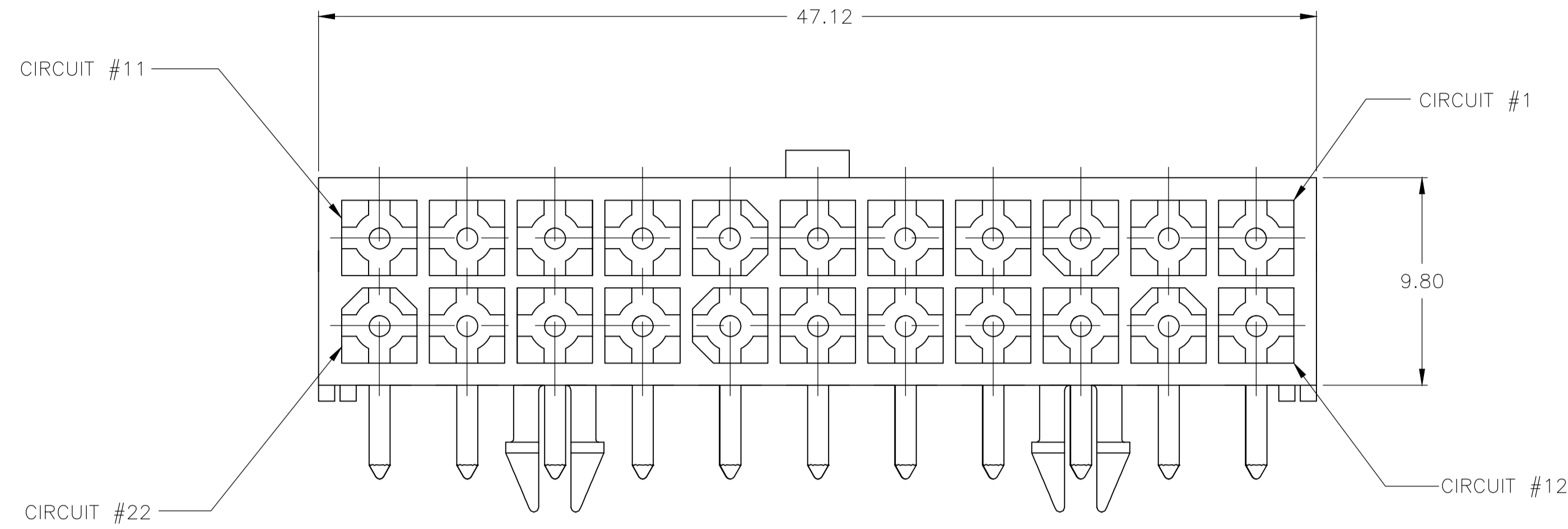
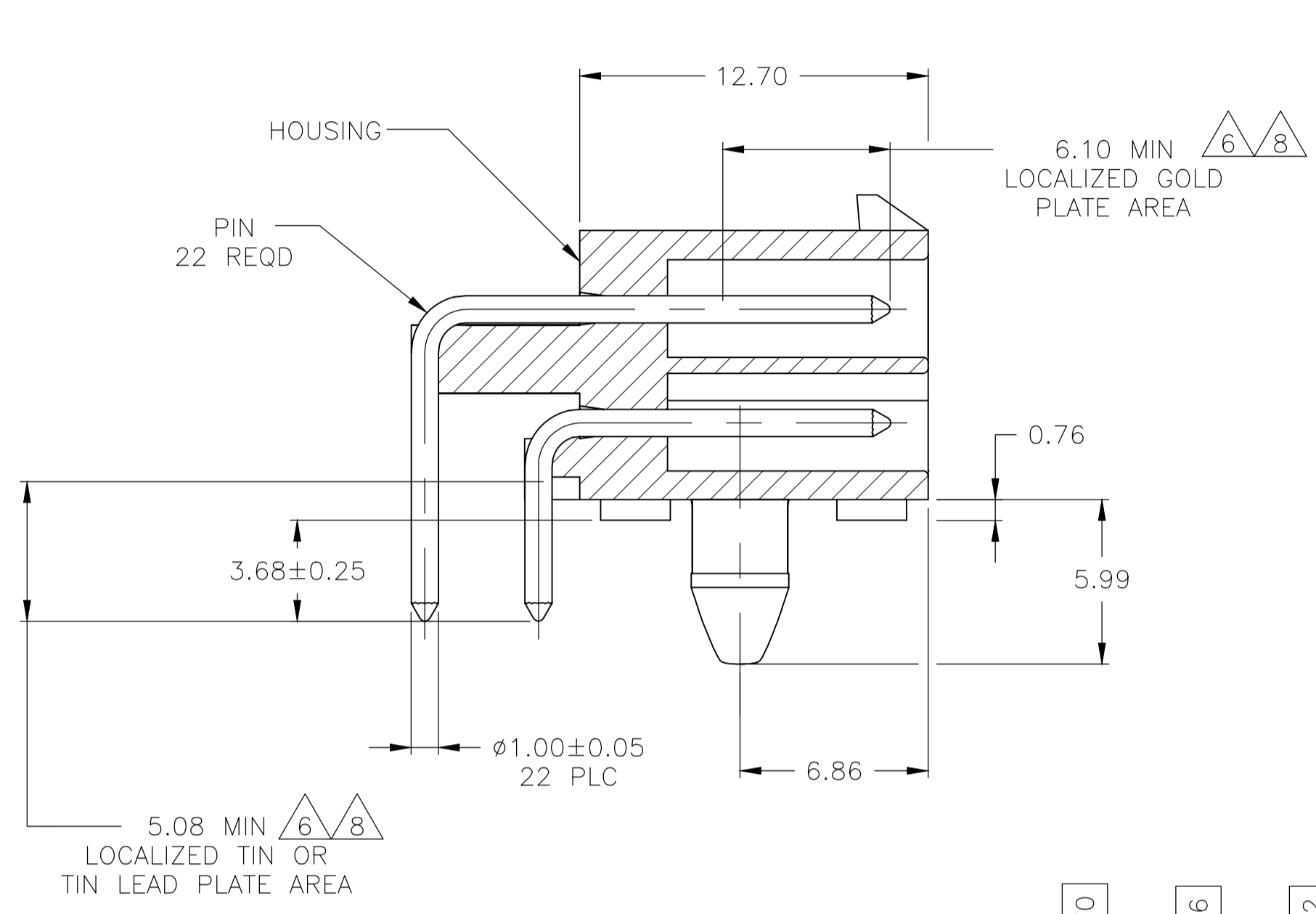


LOC	DIST	REVISIONS			
P	LTR	DESCRIPTION	DATE	DN	APVD
C1		REVISED PER ECR-18-003467	28MAR2018	BDA	SG

- PINS TO COMPLY WITH AMP SOLDERABILITY SPEC 109-11-3.
- MATES WITH PLUG P/N 770586-1.
- COORDINATE DIMENSION APPLIES FROM CENTER OF ACTUAL FEATURE.
- RECOMMENDED FOR EDGE MOUNTING.
- 0.00381 MIN MATTE TIN LEAD PLATE OVER 0.00127 MIN NICKEL.
- 0.00076 MIN GOLD PLATE IN THE LOCALIZED GOLD PLATE AREA, 0.00381 MATTE TIN LEAD IN THE LOCALIZED PLATE AREA, BOTH OVER 0.00127 MIN NICKEL.
- 0.00381 MIN MATTE TIN PLATE OVER 0.00127 MIN NICKEL.
- 0.00076 MIN GOLD PLATE IN THE LOCALIZED GOLD PLATE AREA, 0.00381 MIN MATTE TIN IN THE LOCALIZED TIN PLATE AREA, BOTH OVER 0.00127 MIN NICKEL.



RECOMMENDED MOUNTING HOLE PATTERN FOR 1.57 THICK P.C. BOARD

MM	IN	MM	IN	MM	IN
1.00	.039	6.86	.270	-	-
0.76	.030	6.10	.240	47.12	1.855
0.25	.010	5.99	.236	20.70	.815
0.13	.005	5.33	.210	16.56	.652
0.08	.003	5.08	.200	12.70	.500
0.064	.0025	4.14	.163	12.42	.489
0.05	.002	3.86	.152	12.418	.4889
0.00381	.000150	3.68	.145	9.80	.386
0.00127	.000050	1.57	.062	8.28	.326
0.00076	.000030	1.40	.055	7.34	.289

CONVERSION TABLE

MATERIAL	FINISH	MATERIAL	COLOR	PART NO
BRASS	△8	NYLON, UL94V-0	WHITE	1-794107-1
BRASS	△7	NYLON, UL94V-0	WHITE	1-794107-0
OBSOLETE	GOLD △6	NYLON, UL94V-0	WHITE	-794107-2-
BRASS	TIN LEAD △5	NYLON, UL94V-0	WHITE	794107-1

PIN		HOUSING	
DIMENSIONS:	TOLERANCES UNLESS OTHERWISE SPECIFIED:	DIN K. WHITAKER	DZAPR96
mm		CHK R. SWING	DZAPR96
		APVD R. ORSTAD	DZAPR96
		NAME	
		PRODUCT SPEC	
		APPLICATION SPEC	
		SIZE	CAGE CODE
		WEIGHT	DRAWING NO
			RESTRICTED TO

THIS DRAWING IS A CONTROLLED DOCUMENT.		TE Connectivity	
HEADLINE ASSEMBLY, RIGHT ANGLE, W/SHORT PEG, 22 CIRCUIT, MINI UNIVERSAL MATE-N-LOK(TM)		A1 00779 C=794107	
CUSTOMER DRAWING		SCALE	SHEET 1 OF 1 REV C1

单击下面可查看定价，库存，交付和生命周期等信息

[>>TE Connectivity\(泰科\)](#)