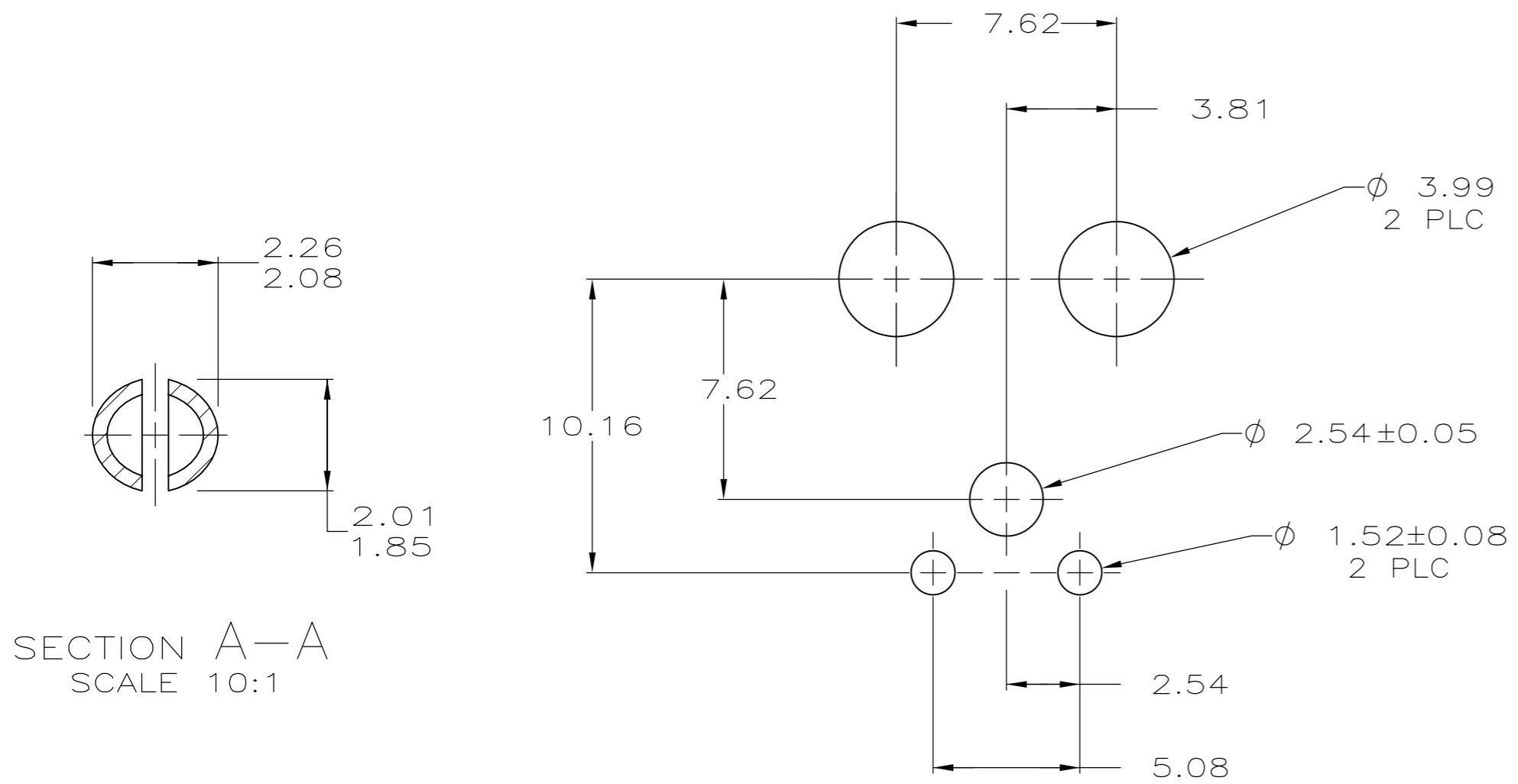
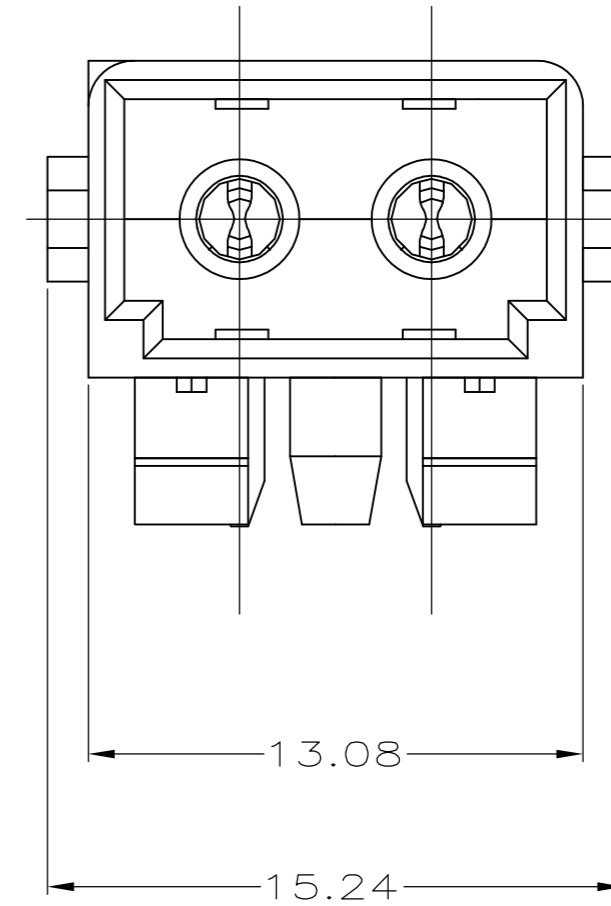
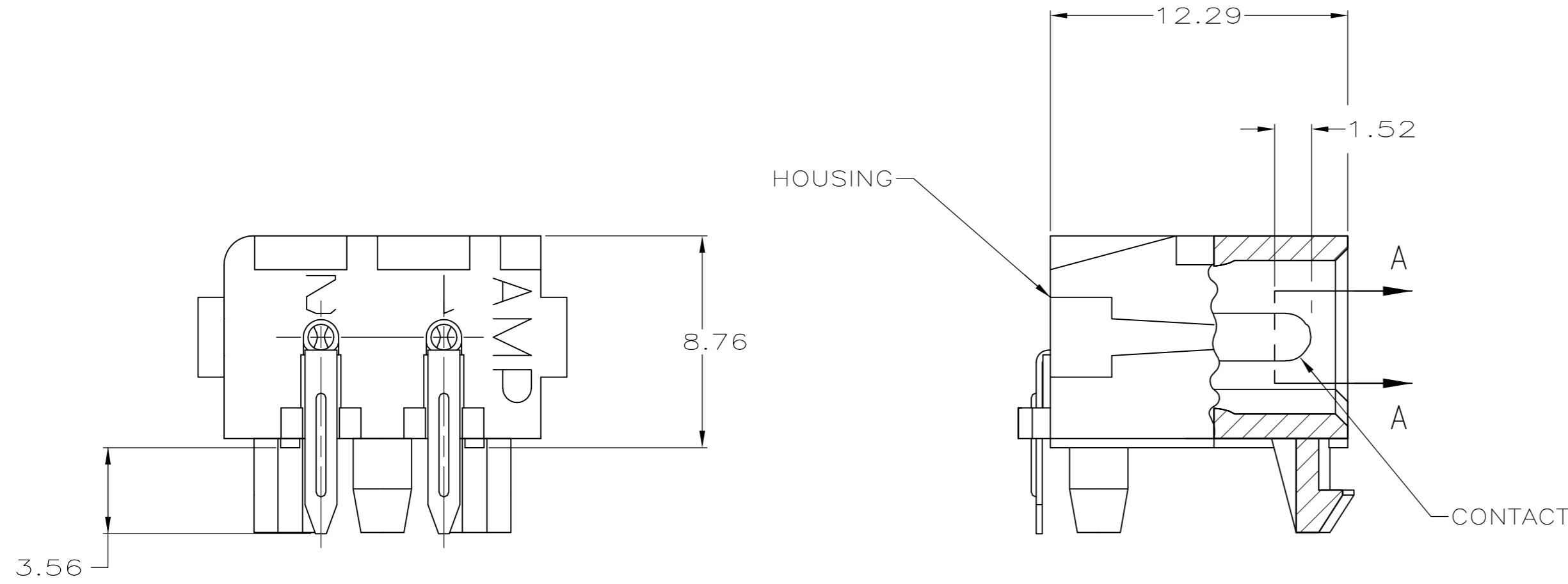


THIS DRAWING IS UNPUBLISHED. RELEASED FOR PUBLICATION
 © COPYRIGHT BY TYCO ELECTRONICS CORPORATION. ALL INTERNATIONAL RIGHTS RESERVED.

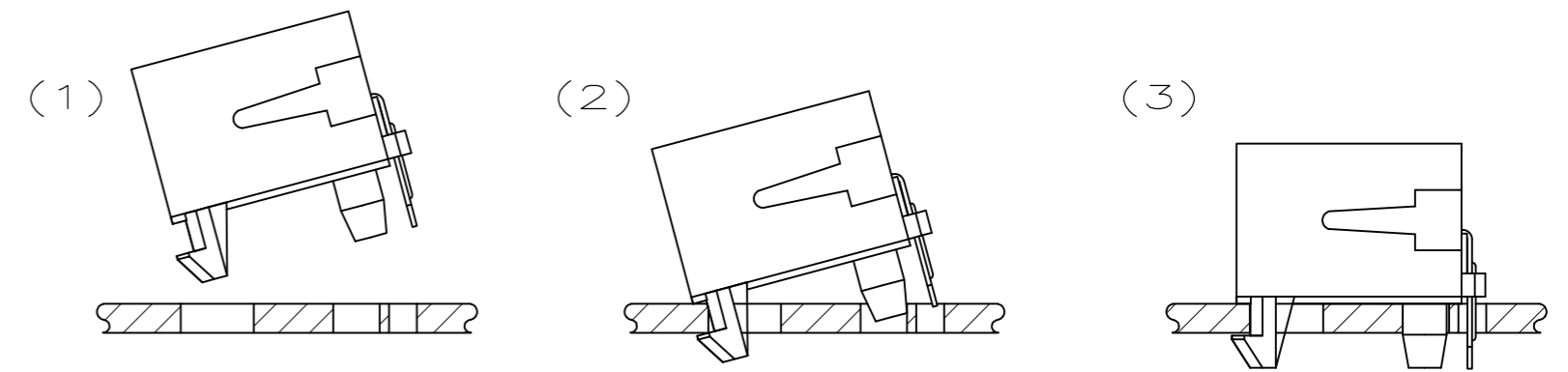
LOC	DIST	REVISIONS			
P	LTR	DESCRIPTION	DATE	DWN	APVD
CM	53				
	C	REVISED PER ECO-09-006627	18MAR09	HMR	MS

- PARTS COMPLY WITH AMP SOLDERABILITY SPEC. 109-11-3.
- RECOMMENDED EXPOSURE TO SOLDER WAVE (254° C, 490°F) NOT TO EXCEED 5 SECONDS.



SECTION A-A
SCALE 10:1

RECOMMENDED MOUNTING HOLE PATTERN FOR 1.58 THICK P.C. BOARD

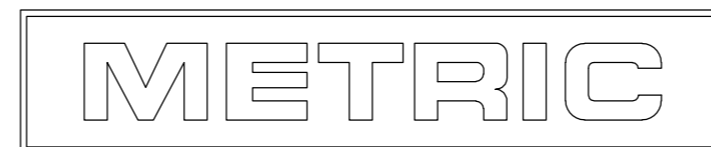


MOUNTING PROCEDURE

COPPER ALLOY	PRE-TIN	NYLON, UL94V-0	NATURAL	794120-2
COPPER ALLOY	PRE-TIN	NYLON, UL94V-2	NATURAL	794120-1
MATERIAL	FINISH	MATERIAL	COLOR	PART NO
CONTACT		HOUSING		

MM	IN	MM	IN	MM	IN
2.01	.079	5.08	.200	-	-
1.85	.073	3.99	.157	15.24	.600
1.58	.062	3.81	.150	13.08	.515
1.52	.060	3.56	.140	12.29	.484
0.38	.015	2.54	.100	10.16	.400
0.08	.003	2.26	.089	8.76	.345
0.05	.002	2.08	.082	7.62	.300

CONVERSION TABLE



THIS DRAWING IS A CONTROLLED DOCUMENT.		DWN B. LEWIS 4-25-96	Tyco Electronics Corporation Harrisburg, PA 17105-3608	
DIMENSIONS: mm		CHK R. SWING 4-25-96	NAME	
TOLERANCES UNLESS OTHERWISE SPECIFIED:		APVD C. MARTIN 4-25-96	PRODUCT SPEC	
0 PLC ± -		APPLICATION SPEC		
1 PLC ± -		WEIGHT -		
2 PLC ± 0.38		SIZE A2 CAGE CODE 00779 DRAWING NO C=794120		
3 PLC ± -		RESTRICTED TO		
4 PLC ± -		SCALE 5:1 SHEET 1 OF 1 REV C		
ANGLES ± -		CUSTOMER DRAWING		
FINISH				
MATERIAL SEE TABLE				

单击下面可查看定价，库存，交付和生命周期等信息

[>>TE Connectivity\(泰科\)](#)