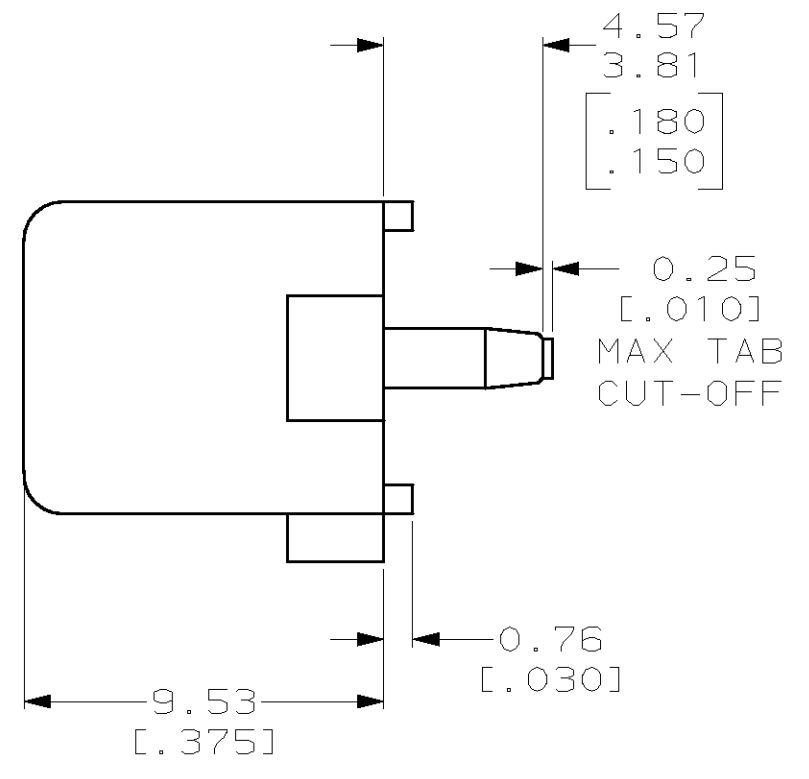
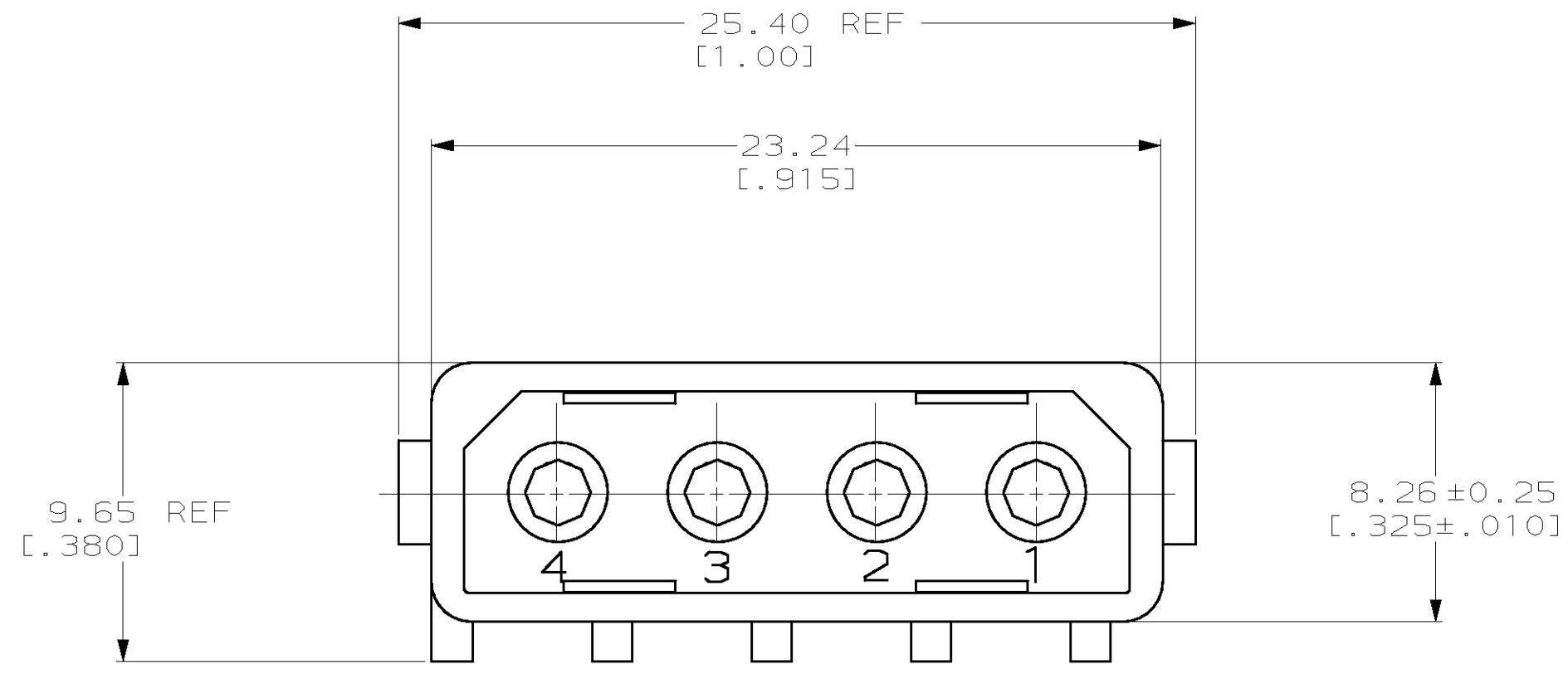
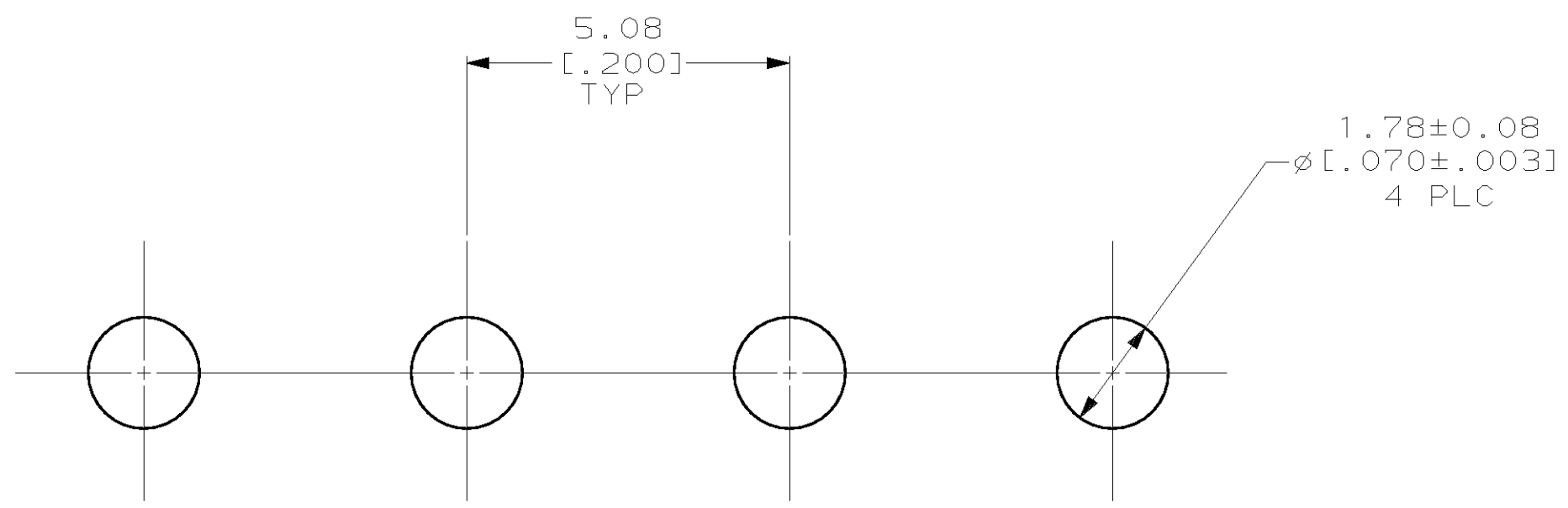


THIS DRAWING IS UNPUBLISHED. RELEASED FOR PUBLICATION  
 (C) COPYRIGHT 19 BY AMP INCORPORATED. ALL RIGHTS RESERVED.

REVISE		REVISIONS					
CM	53	P	LTR	DESCRIPTION	DATE	DWN	APVD
		A		REV PER EC 0L30-0052-97	3-26-97	JH	RS



- PARTS MUST COMPLY WITH AMP SOLDERABILITY SPECIFICATION 109-11-3.
- DIMENSIONS IN BRACKETS ARE IN INCHES.



RECOMMENDED P.C. BOARD LAYOUT  
 FOR 1.57 [.062] THICK P.C. BOARD  
 SCALE 10:1

**METRIC**

PH BRZ, PRE-TIN	NYLON, UL94V-0, WHITE	794236-1
PIN CONTACT MATERIAL & FINISH	HOUSING MATERIAL & COLOR	PART NUMBER

<small>THIS DRAWING IS A CONTROLLED DOCUMENT FOR AMP INCORPORATED. IT IS SUBJECT TO CHANGE AND THE CONTROLLING ENGINEERING ORGANIZATION SHOULD BE CONTACTED FOR THE LATEST REVISION.</small>		DWN: B. LEWIS 2-04-97 CHK: R. SWING 2-04-97 APVD: C. MARTIN 2-04-97	<b>AMP</b> AMP Incorporated Harrisburg, PA 17105-3608
DIMENSIONS: mm [INCHES]	TOLERANCES UNLESS OTHERWISE SPECIFIED: 0 PLC ±- 1 PLC ±- 2 PLC ±0.13 [.005] 3 PLC ±- 4 PLC ±- ANGLES ±0°30' FINISH SEE TABLE	PRODUCT SPEC: - APPLICATION SPEC: - WEIGHT: - CUSTOMER DRAWING	<b>HEADER ASSEMBLY, 4 CIRCUIT, COMMERCIAL MATE-N-LOK™</b> SIZE: A2 CAGE CODE: 00779 DRAWING NO: C=794236 SCALE: 5:1 SHEET: 1 OF 1 REV: A

794236

单击下面可查看定价，库存，交付和生命周期等信息

[>>TE Connectivity\(泰科\)](#)