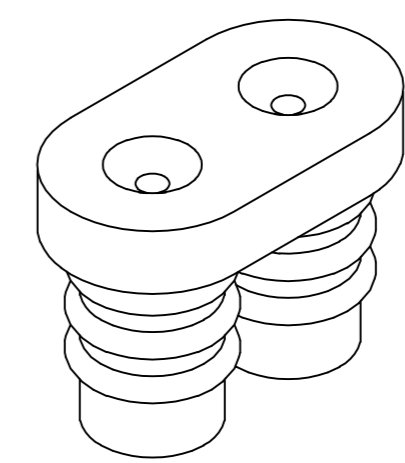
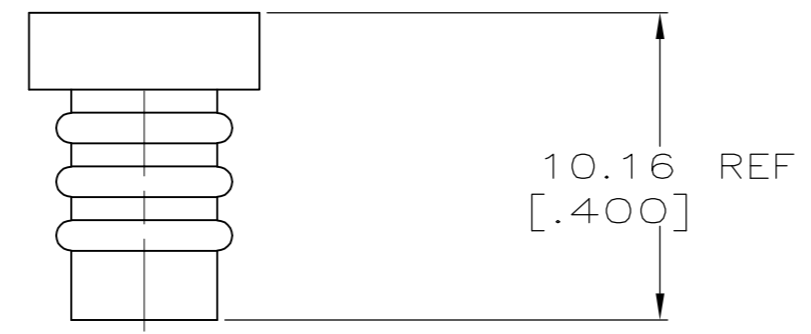
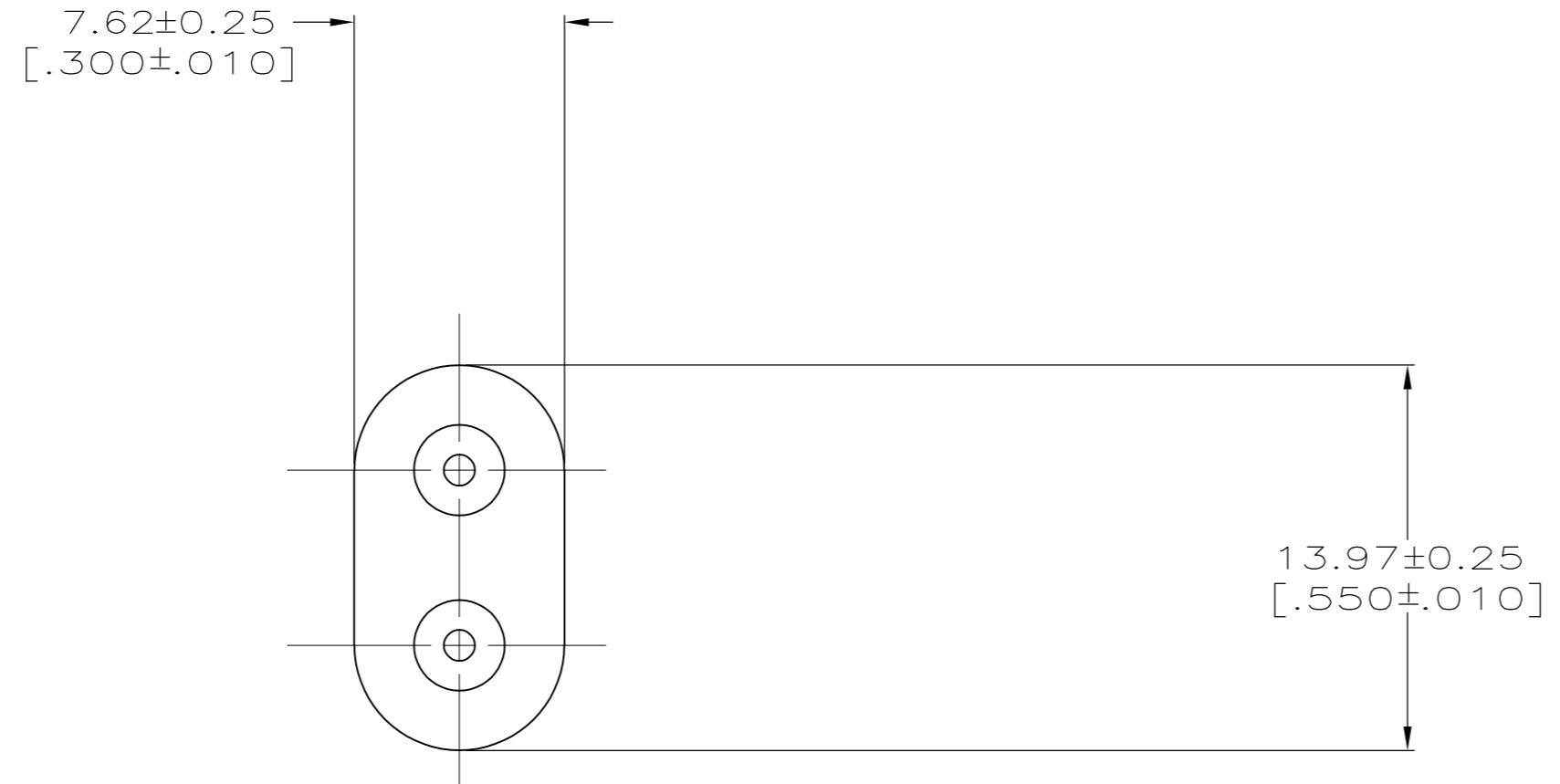


THIS DRAWING IS UNPUBLISHED. RELEASED FOR PUBLICATION  
 © COPYRIGHT - By - ALL RIGHTS RESERVED.

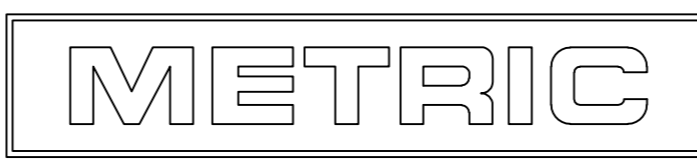
LOC	DIST	REVISIONS					
		P	LTR	DESCRIPTION	DATE	DWN	APVD
CM	53		A1	REVISED PER ECO-11-004917	11MAR11	RK	HMR

- 1. MATERIAL: SELF LUBRICATING SILICON RUBBER  
COLOR: BLUE
- 2. DIMENSIONS IN BRACKETS ARE IN INCHES.



3-DIMENSIONAL MODEL NTS

794270-1  
PART NUMBER



THIS DRAWING IS A CONTROLLED DOCUMENT.		DWN	B. LEWIS	3-25-97	 TE Connectivity				
DIMENSIONS: INCHES		CHK	R. SWING	3-25-97					
TOLERANCES UNLESS OTHERWISE SPECIFIED:		APVD	D. SELF	3-25-97					
0 PLC ± - 1 PLC ± - 2 PLC ± - 3 PLC ± 0.13 [.005] 4 PLC ± - ANGLES ± 0° 30'		PRODUCT SPEC	NAME			WIRE SEAL, 2 CIRCUIT, UNIVERSAL MATE-N-LOK™			
MATERIAL		APPLICATION SPEC	-		SIZE	CAGE CODE	DRAWING NO	RESTRICTED TO	
 MATERIAL		WEIGHT	-		A2	00779	C=794270	-	
FINISH		CUSTOMER DRAWING		SCALE	4:1	SHEET	1 of 1	REV	A1

单击下面可查看定价，库存，交付和生命周期等信息

[>>TE Connectivity\(泰科\)](#)