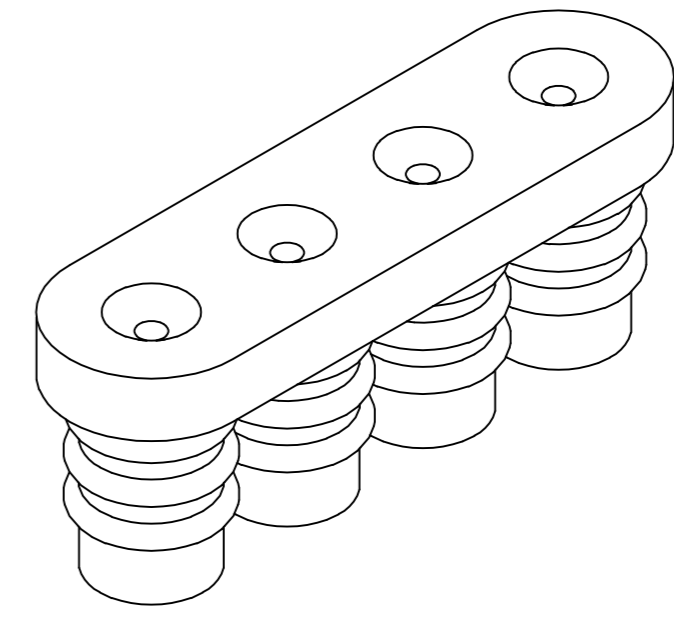
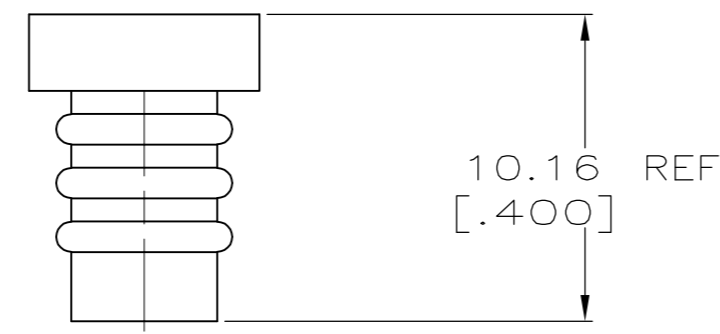
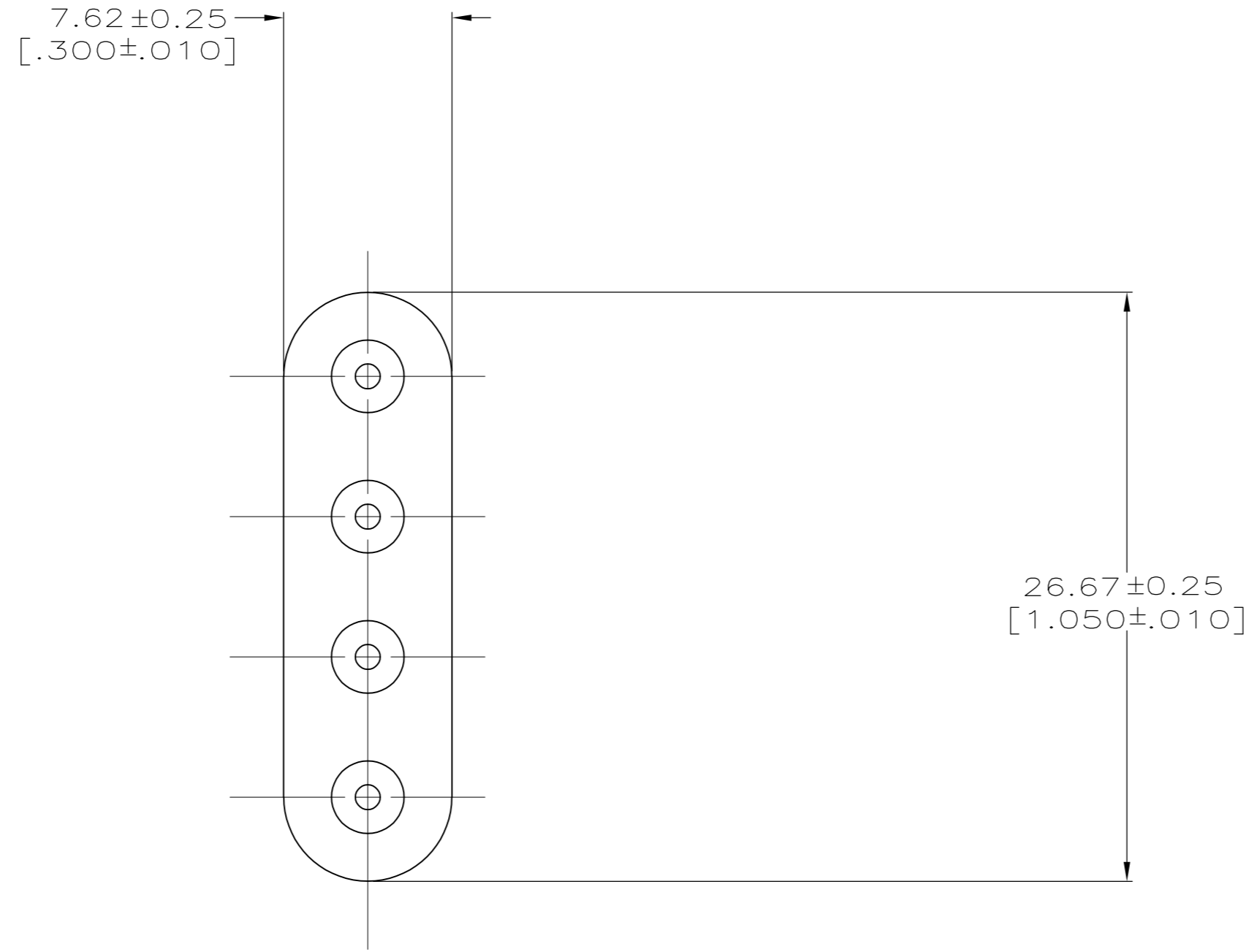


THIS DRAWING IS UNPUBLISHED. RELEASED FOR PUBLICATION  
 © COPYRIGHT - By - ALL RIGHTS RESERVED.

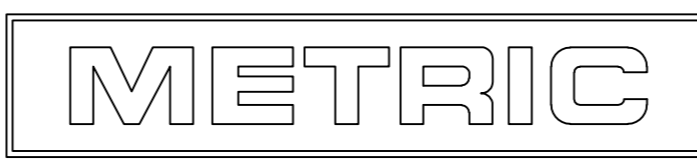
LOC		DIST		REVISIONS			
P	LTR	DESCRIPTION		DATE	DWN	APVD	
CM	53	A1	REVISED PER ECO-11-005027		11MAR11	RK	HMR

- 1. MATERIAL: SELF LUBRICATING SILICON RUBBER  
COLOR: BLUE
- 2. DIMENSIONS IN BRACKETS ARE IN INCHES.



3-DIMENSIONAL MODEL NTS

794274-1  
PART NUMBER



THIS DRAWING IS A CONTROLLED DOCUMENT.		DWN	B. LEWIS	3-25-97		TE Connectivity		
DIMENSIONS: INCHES		CHK	R. SWING	3-25-97		NAME		
		APVD	D. SELF	3-25-97		WIRE SEAL, 4 CIRCUIT,™ UNIVERSAL MATE-N-LOK™		
TOLERANCES UNLESS OTHERWISE SPECIFIED:		PRODUCT SPEC				SIZE	CAGE CODE	DRAWING NO
0 PLC	± -	APPLICATION SPEC			A2	00779	C=794274	-
1 PLC	± -				SCALE	4:1	SHEET	1 OF 1
2 PLC	± -				REV	A1		
3 PLC	± 0.13 [.005]				CUSTOMER DRAWING			
4 PLC	± -							
ANGLES	± 0° 30'							
MATERIAL	△	FINISH						

794274

单击下面可查看定价，库存，交付和生命周期等信息

[>>TE Connectivity\(泰科\)](#)