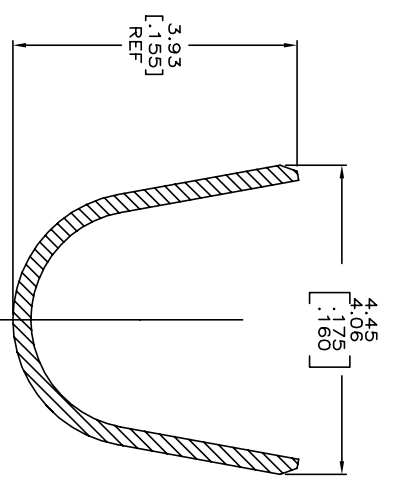


- 1. 0.00076 [.000030] MIN GOLD PER IN LOCALIZED GOLD PLATE AREA AND 0.00254-0.00635 [.000100-.000250] BRIGHT TIN-LEAD PER IN LOCALIZED TIN-LEAD PLATE AREA OVER 0.00127 [.0000050] MIN NICKEL.
- 2. WIRE RANGE: 0.5-1.4MM<sup>2</sup> (20-16 AWG).
- 3. INSULATION RANGE: 2.01-3.20[.079-.126] DIA. 0.00076 [.000030] MIN GOLD PER IN LOCALIZED GOLD PLATE AREA AND 0.00254-0.00635 [.000100-.000250] MATTE TIN IN LOCALIZED TIN PLATE AREA OVER 0.00127 [.000050] MIN NICKEL.



FINISH	MATERIAL	PART NUMBER
Δ4	0.20 [.008] PH BRZ	1-794407-1
Δ4	0.20 [.008] BRASS	1-794407-0
Δ1	0.25 [.010] PHOS BRONZE	794407-6
PRE-TIN	0.25 [.010] PHOS BRONZE	794407-4
Δ1	0.25 [.010] BRASS	794407-3
PRE-TIN	0.25 [.010] BRASS	794407-1

SUPERCEDDED BY 1-794407-0

THIS DRAWING IS A CONTROLLED DOCUMENT.

DATE	10/03/03	BY	HOOPER
CHKD	10/03/03	BY	CLONES
REVISED	10/03/03	BY	CLONES
PRODUCT SPEC	108-5142	APPICATION SPEC	114-16017
WEIGHT	0.00000	SIZE	A2
CUSTOMER DRAWING	0.00000	DATE CODE	00779
		FORMING NO	794407
		SCALE	10:1
		SHEET	1 of 1
		REV	FT

SOCKET, MINI UNIVERSAL MATE-N-LOK(TM)

TE Connectivity

REV	DATE	DESCRIPTION
F1	18AUG2020	REVISED PER ECR-20-100305

单击下面可查看定价，库存，交付和生命周期等信息

[>>TE Connectivity\(泰科\)](#)