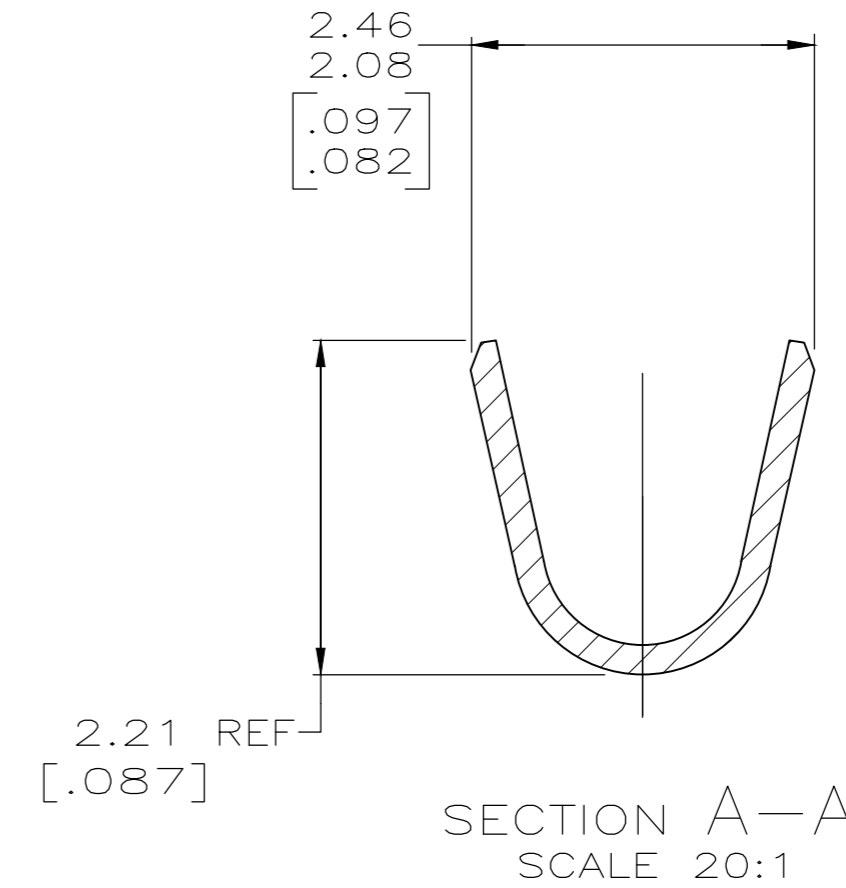
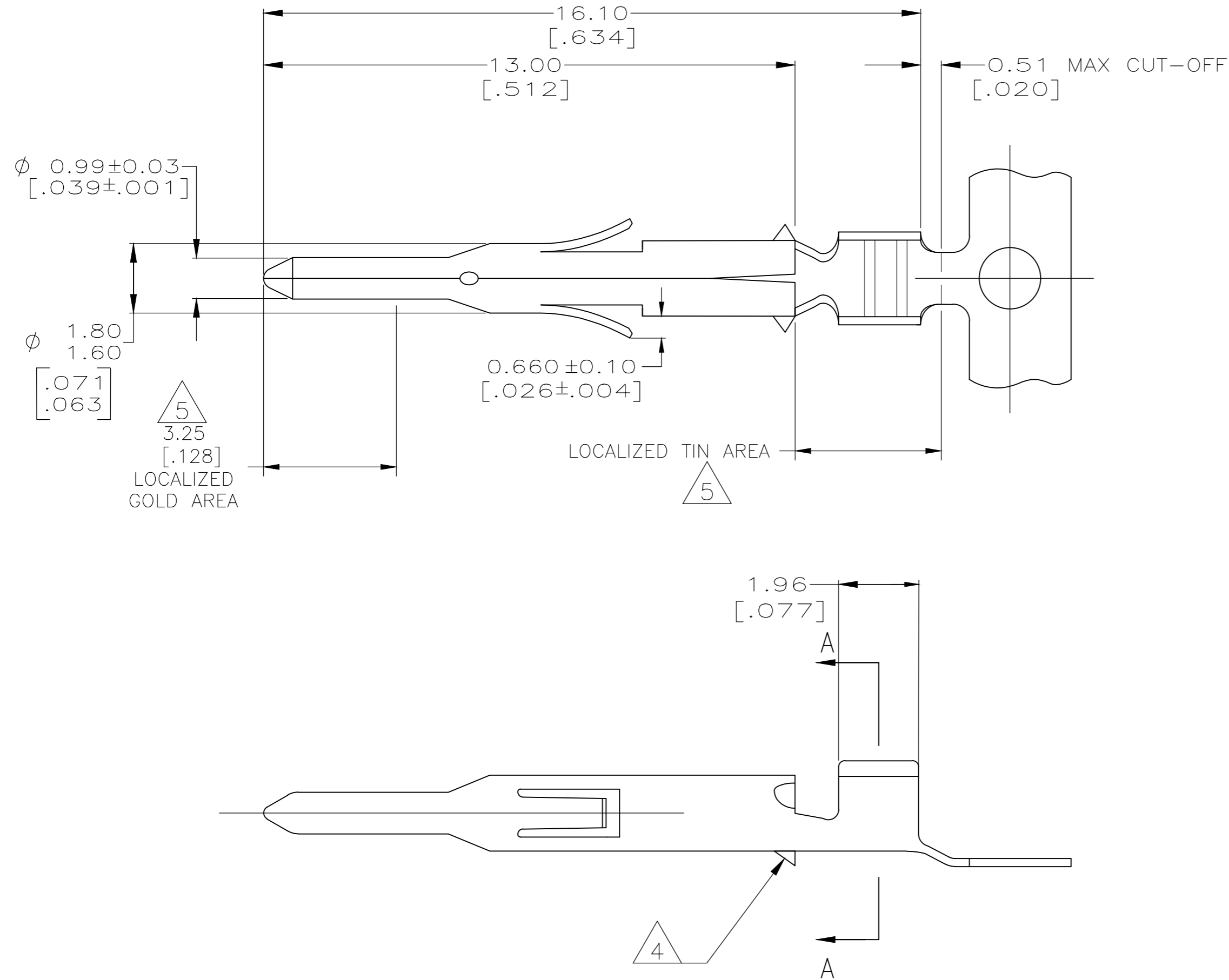


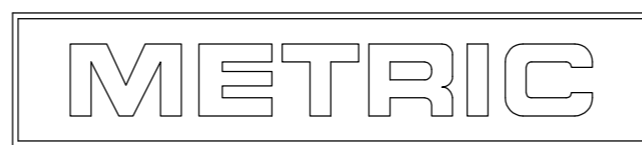
THIS DRAWING IS UNPUBLISHED. RELEASED FOR PUBLICATION
 © COPYRIGHT - By - ALL RIGHTS RESERVED.

REVISIONS				
P	LTR	DESCRIPTION	DATE	APVD
J		REVISED PER ECO-18-020039	03JAN2019	RS SG

- 1 WIRE RANGE: 0.3 - 0.9MM² (22-18 AWG).
- 2 INSULATION RANGE: 1.50-2.40[.060-.094] DIA.
- 3 DIMENSIONS IN BRACKETS ARE IN INCHES.
- 4 BOTTOM CONTACT STOP IS OPTIONAL CONSTRUCTION.
- 5 0.000762 [.000030] MIN GOLD IN LOCALIZED GOLD PLATE AREA AND 0.00254 [.000100] MIN BRIGHT TIN LOCALIZED TIN PLATE AREA OVER 0.00127 [.000050] MIN NICKEL.



5	0.20 [.008] BRASS	794440-3
NONE	0.20 [.008] BRASS	794440-2
PRE-TIN	0.20 [.008] BRASS	794440-1
FINISH	MATERIAL	PART NO



THIS DRAWING IS A CONTROLLED DOCUMENT.		DWN K. WHITAKER 20FEB2004	TE Connectivity	
DIMENSIONS: mm [INCHES]		CHK C. JONES 20FEB04	NAME PIN, UNIVERSAL MATE-N-LOK	
TOLERANCES UNLESS OTHERWISE SPECIFIED: 0 PLC ± - 1 PLC ± - 2 PLC ± 0.13 [.005] 3 PLC ± - 4 PLC ± - ANGLES ± 0°30'		APVD C. JONES 20FEB04	DRAWING NO A2 00779 C=794440	
MATERIAL SEE TABLE		PRODUCT SPEC APPLICATION SPEC	SIZE A2	RESTRICTED TO -
FINISH SEE TABLE		WEIGHT 0.000000	CAGE CODE 00779	SCALE 10:1
		CUSTOMER DRAWING	DRAWING NO C=794440	SHEET 1 of 1
			REV J	

单击下面可查看定价，库存，交付和生命周期等信息

[>>TE Connectivity\(泰科\)](#)