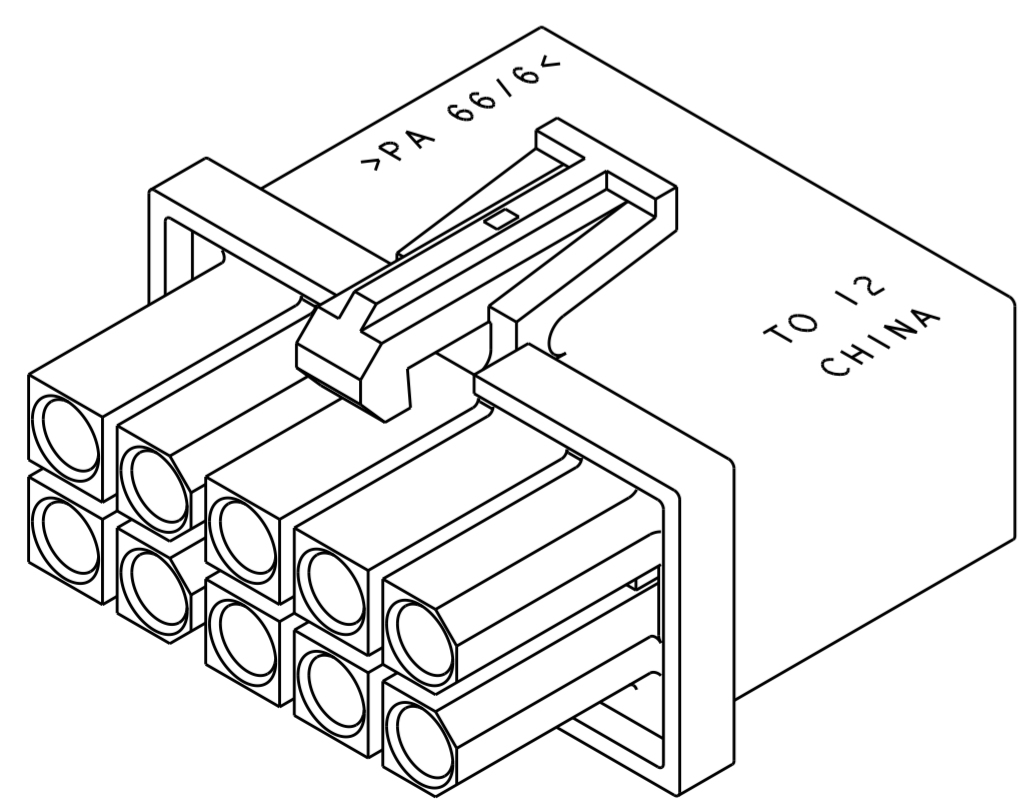
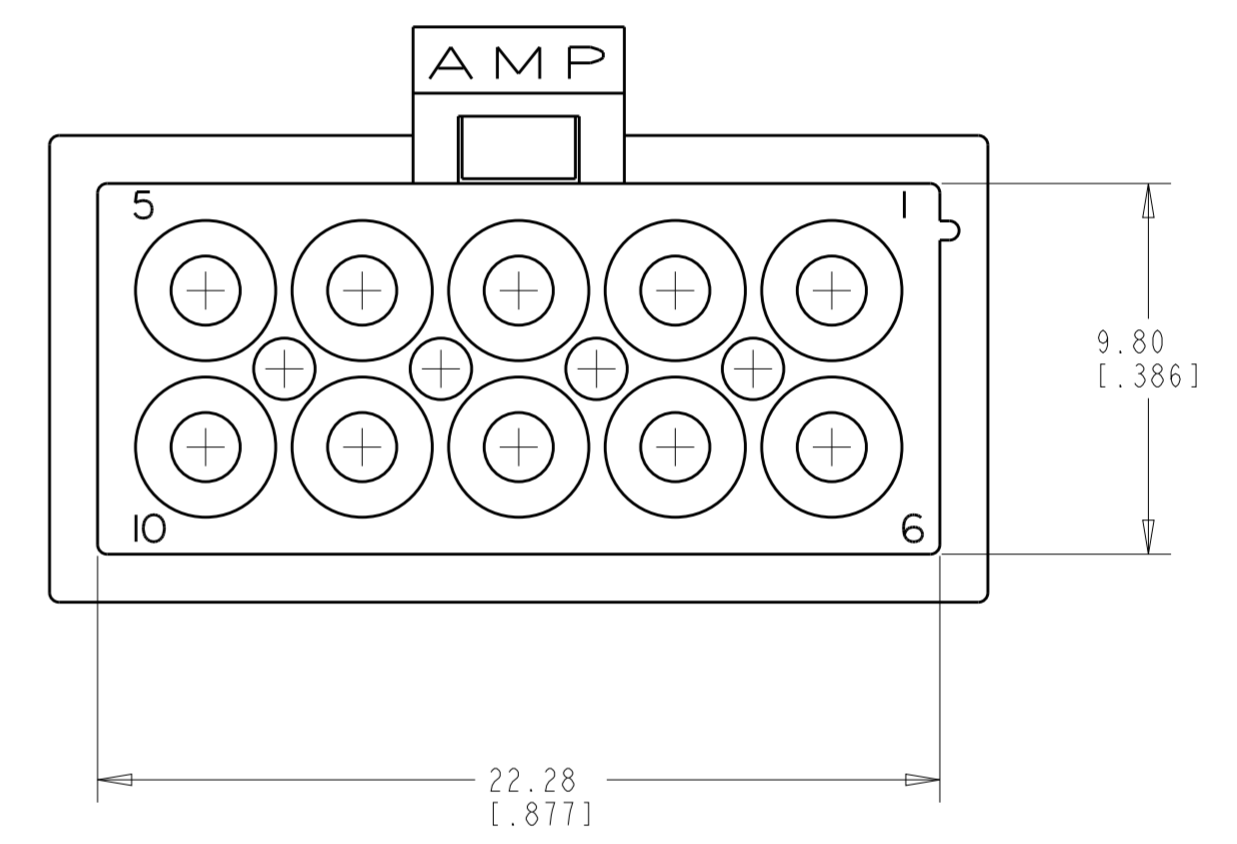
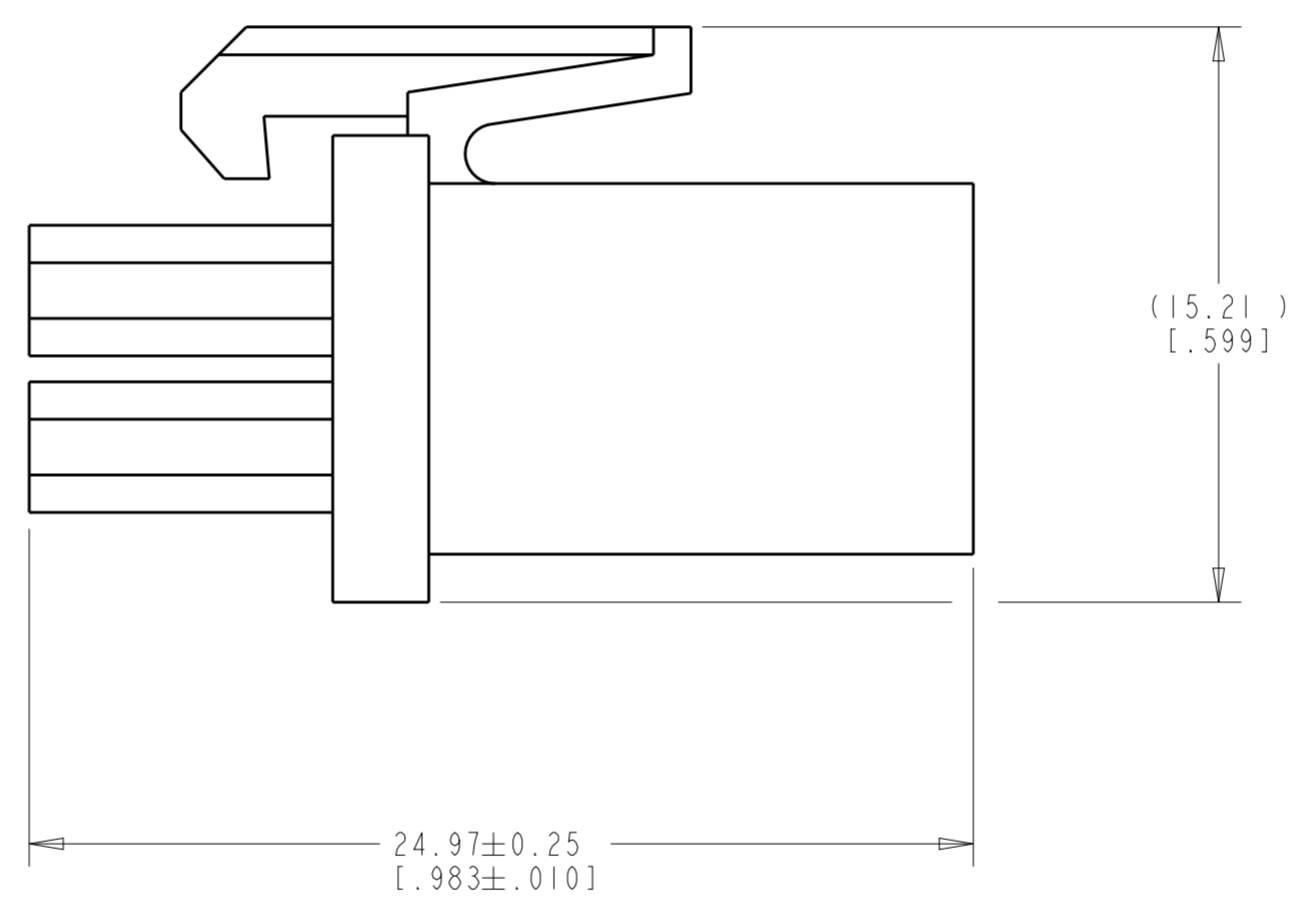
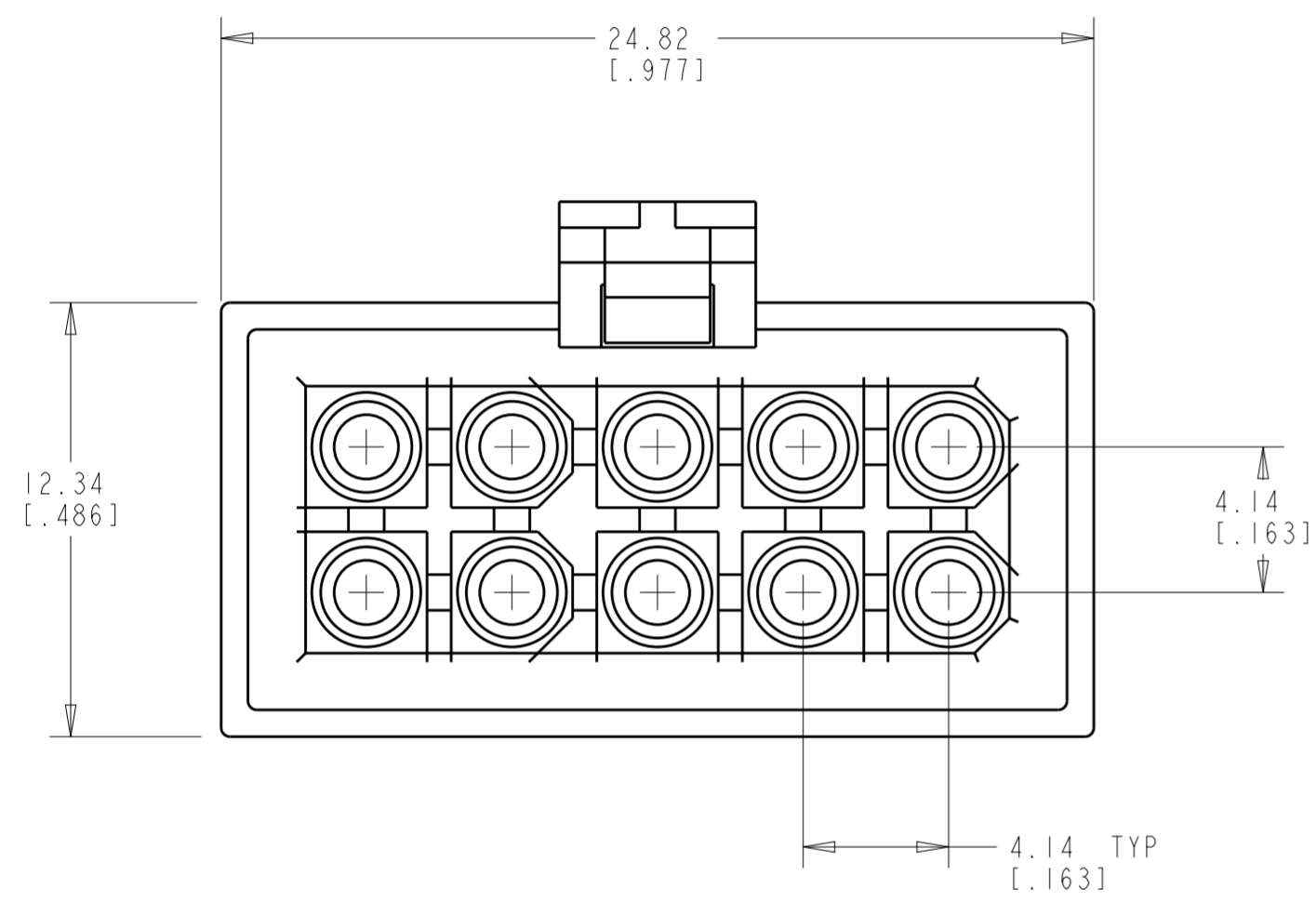


THIS DRAWING IS UNPUBLISHED. RELEASED FOR PUBLICATION 20
 © COPYRIGHT 20 BY - ALL RIGHTS RESERVED.

REVISIONS					
P	LTR	DESCRIPTION	DATE	DWN	APVD
C		REVISED PER ECR-12-017444	27NOV2017	BW	SG
CI		REVISED PER ECR-17-016920	25SEP2018	BDA	SG

1. DIMENSIONS IN BRACKETS ARE IN INCHES.



3 DIMENSIONAL MODEL
 SCALE 4:1

794781-1
 PART NUMBER

THIS DRAWING IS A CONTROLLED DOCUMENT.		DWN K. WHITAKER	10MAY2000	STE TE Connectivity
DIMENSIONS: mm [INCHES]		CHK K. COBLE	10MAY2000	
TOLERANCES UNLESS OTHERWISE SPECIFIED:		APVD K. COBLE	10MAY2000	NAME PLUG, 10 CIRCUIT, MINI UNIVERSAL MATE-N-LOK(TM)
0 PLC ± 1 PLC ± 2 PLC ±0.13 [0.005] 3 PLC ± 4 PLC ±		PRODUCT SPEC 108-1542-2	APPLICATION SPEC 114-13089	
MATERIAL NYLON, UL94V-0, WHITE		FINISH -	WEIGHT -	SIZE A2
		CUSTOMER DRAWING		CAGE CODE 00779
				DRAWING NO 794781
				RESTRICTED TO
				SCALE 5:1 SHEET 1 OF 1 REV C1

单击下面可查看定价，库存，交付和生命周期等信息

[>>TE Connectivity\(泰科\)](#)