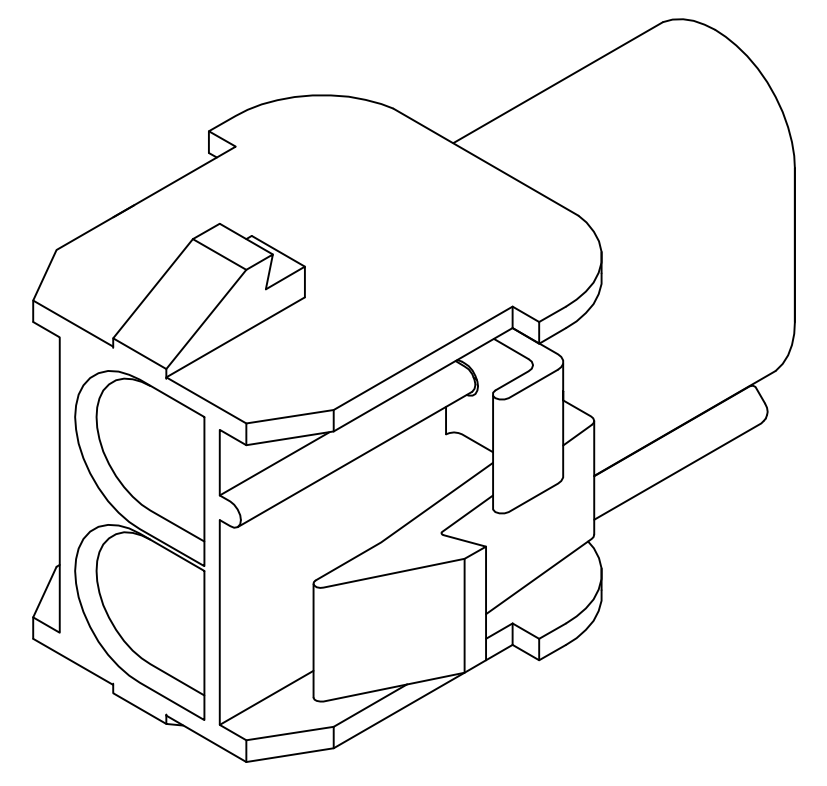
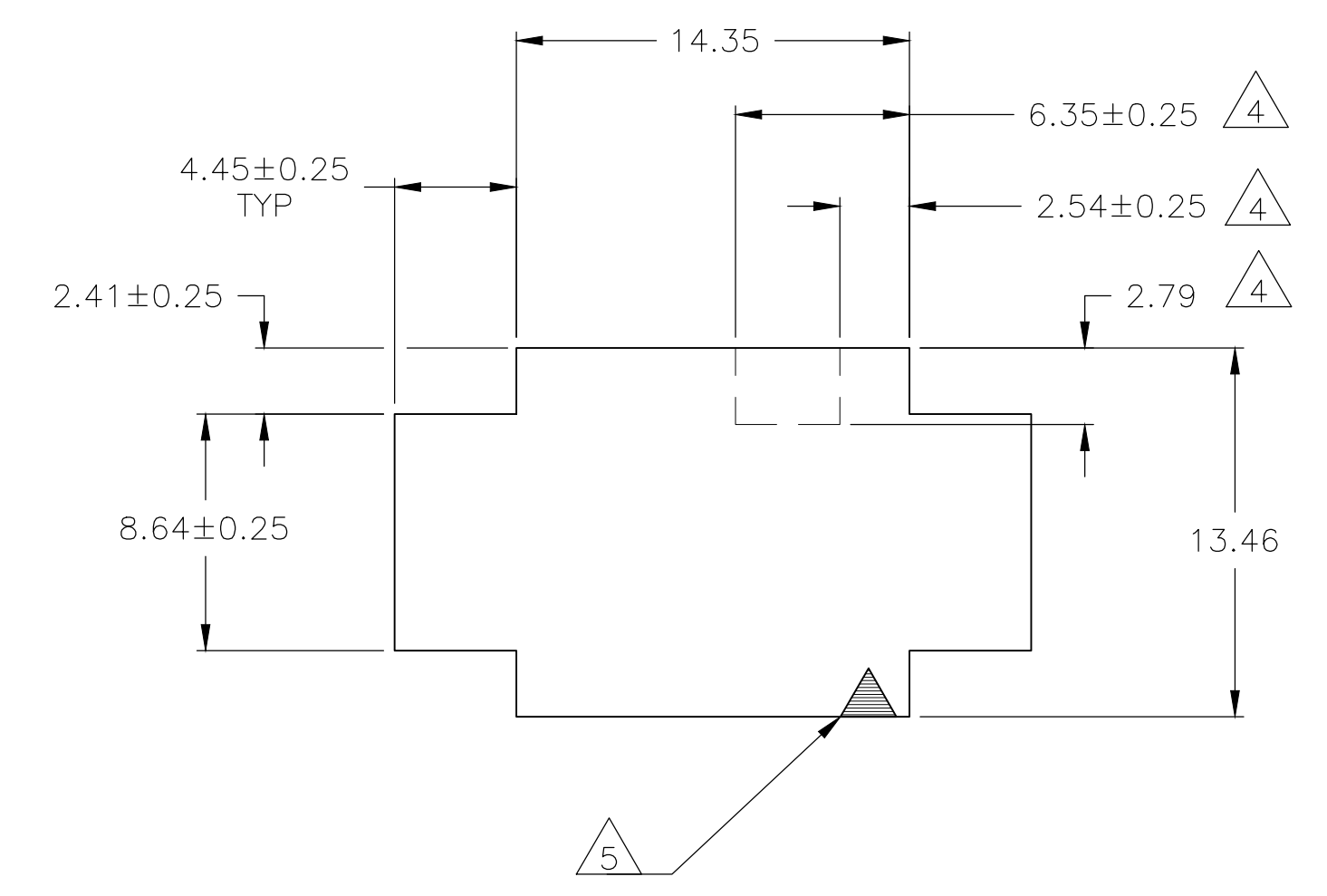
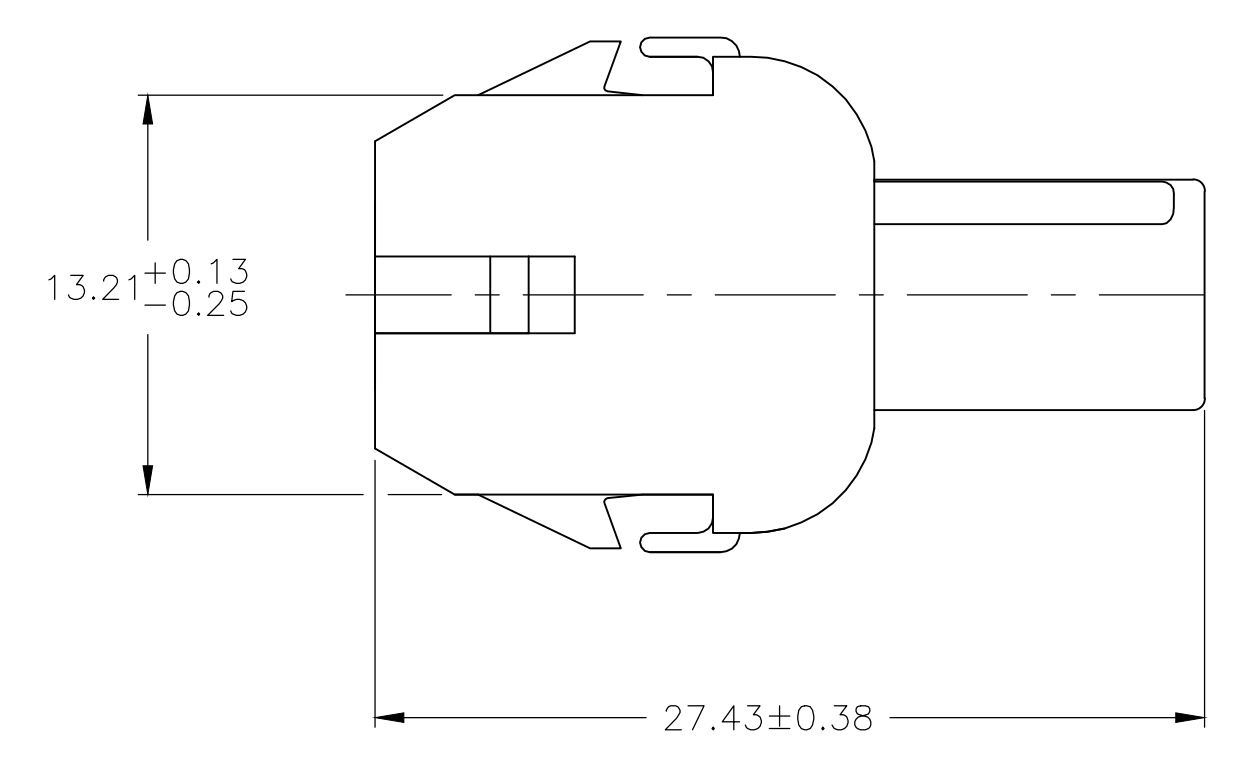
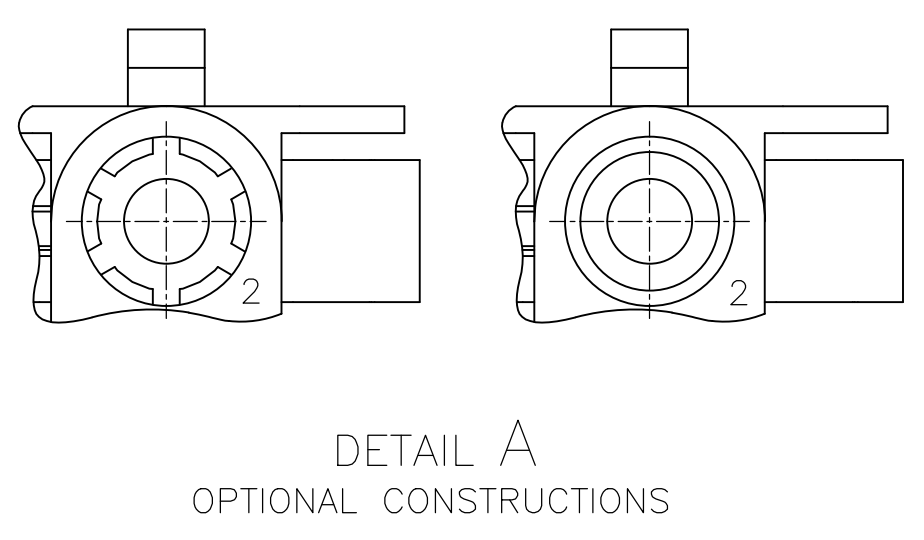
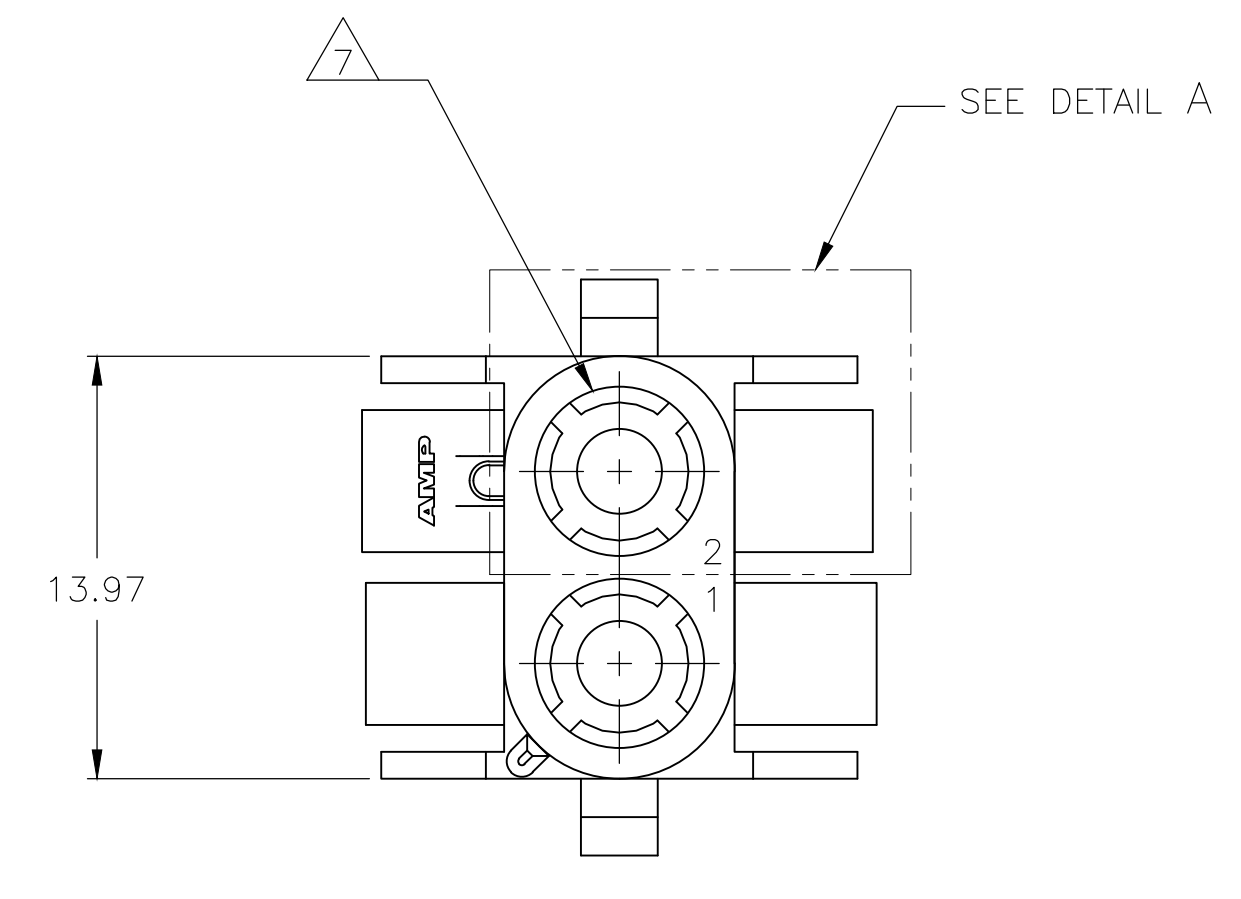
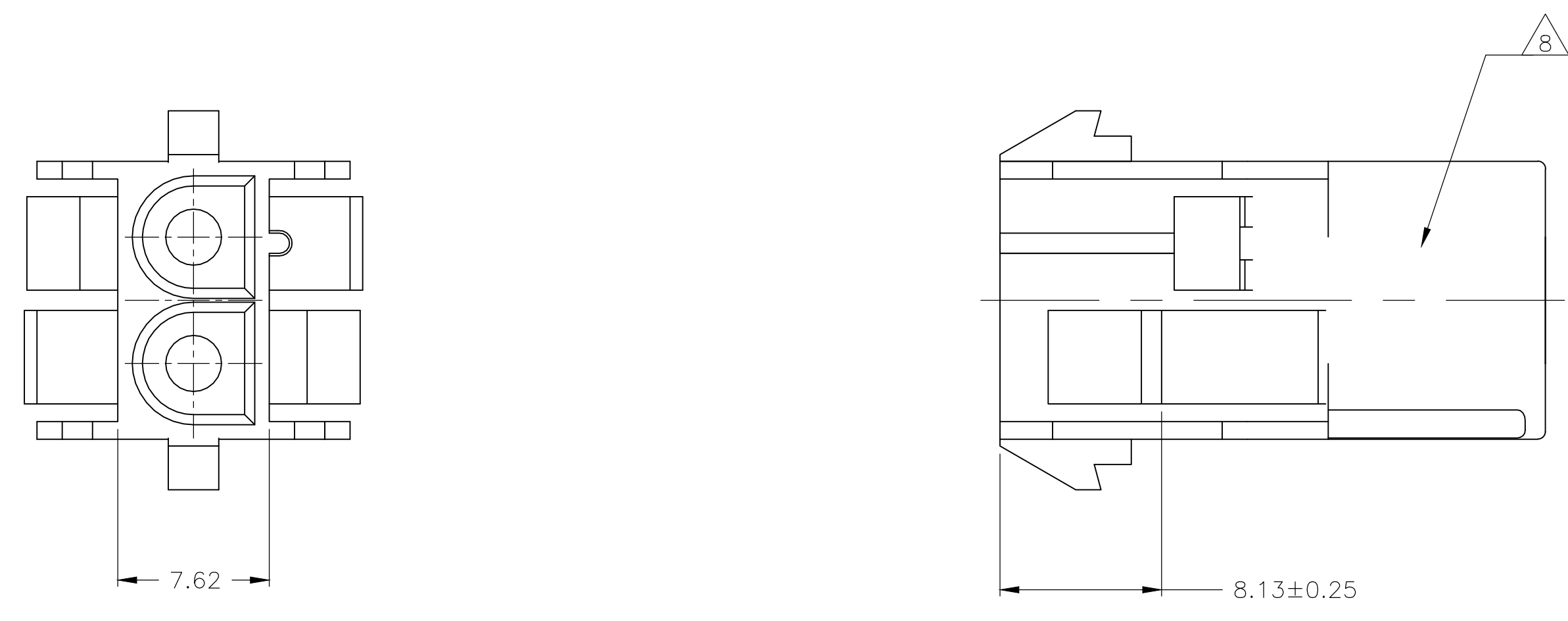


REVISIONS					
P	LTR	DESCRIPTION	DATE	DMN	APVD
A5		REVISED PER ECR-20-005055	22MAY2020	BDA	SF

- 1 MATES WITH APPROPRIATE UNIVERSAL MATE-N-LOK™ PLUG.
- 2 RECOMMENDED PANEL THICKNESS 0.76 - 2.29.
- 3 PANEL MUST BE PUNCHED SO THAT THE HOUSING ENTERS THE PANEL IN THE SAME DIRECTION AS THE PUNCH.
- 4 OPTIONAL FOR KEYING HOUSING IN PANEL.
- 5 CIRCUIT NUMBER 1 LOCATION.
- 6 DIMENSIONS SHOWN REPRESENT PRODUCT IN DRY, AS MOLDED CONDITION ADDITIONAL 2% GROWTH DUE TO SUBSEQUENT MOISTURE ABSORPTION MAY OCCUR AND SHOULD BE ACCOUNTED FOR.
- 7 FOUR RIBS EQUALLY SPACED, NO SPECIFIC ORIENTATION. NO RIBS OR SIX RIBS EQUALLY SPACED, NO SPECIFIC ORIENTATION, OPTIONAL.
- 8 UNDERWRITERS RECOGNIZED COMPONENT LOGO AND CSA CERTIFICATION LOGO TO BE LOCATED ONCE EACH ON SIDE OF HOUSING.
- 9 MAX. OPERATING TEMPERATURE 125°C.
- 10 SPECIAL PACKAGING.
- 11 PHOSPHOR BRONZE CONTACTS SHOULD ALWAYS BE USED WITH THIS HOUSING.



3 DIMENSIONAL MODEL NTS

MM	IN	MM	IN
4.45	.175	27.43	1.080
2.79	.110	14.35	.565
2.54	.100	13.97	.550
2.41	.095	13.46	.530
2.29	.090	13.21	.520
0.76	.030	8.64	.340
0.38	.015	8.13	.320
0.25	.010	7.62	.300
0.13	.005	6.35	.250
MM	IN	MM	IN

CONVERSION TABLE

10 SUPERSEDED BY 794815-1	BLACK	-8-794815-1-
	BLACK	794815-1
	COLOR	PART NO.

THIS DRAWING IS A CONTROLLED DOCUMENT.		DIN K. WHITAKER 15MAY01	TE Connectivity	
DIMENSIONS: mm [INCHES]		CHK S. RIDGILL 15MAY01	NAME	
TOLERANCES UNLESS OTHERWISE SPECIFIED:		APVD S. RIDGILL 15MAY01	CAP, 2 CIRCUIT, UNIVERSAL MATE-N-LOK™ TM	
0 PLC ± -	1 PLC ± -	PRODUCT SPEC	APPLICATION SPEC	
2 PLC ± 0.13	3 PLC ± -	SIZE	CAGE CODE	DRAWING NO
4 PLC ± -	ANGLES ± 1°	WEIGHT	0	A1 C0779 C=794815
MATERIAL NYLON, UL 94V-2, HIGH TEMP.	FINISH -	CUSTOMER DRAWING	SCALE 4:1	SHEET 1 OF 1 REV A5

单击下面可查看定价，库存，交付和生命周期等信息

[>>TE Connectivity\(泰科\)](#)