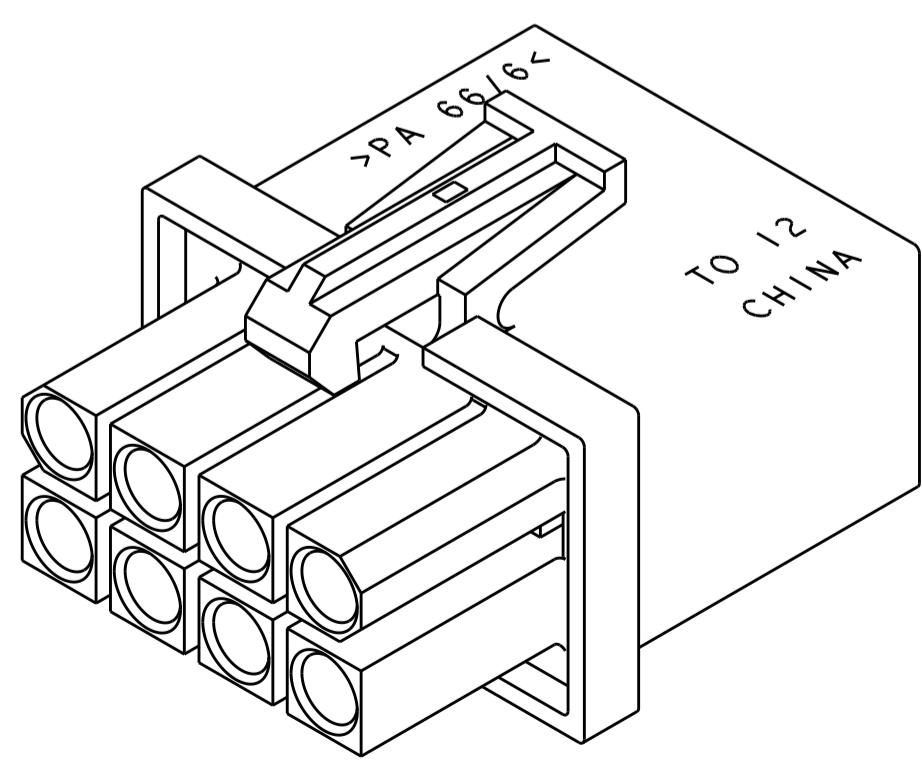
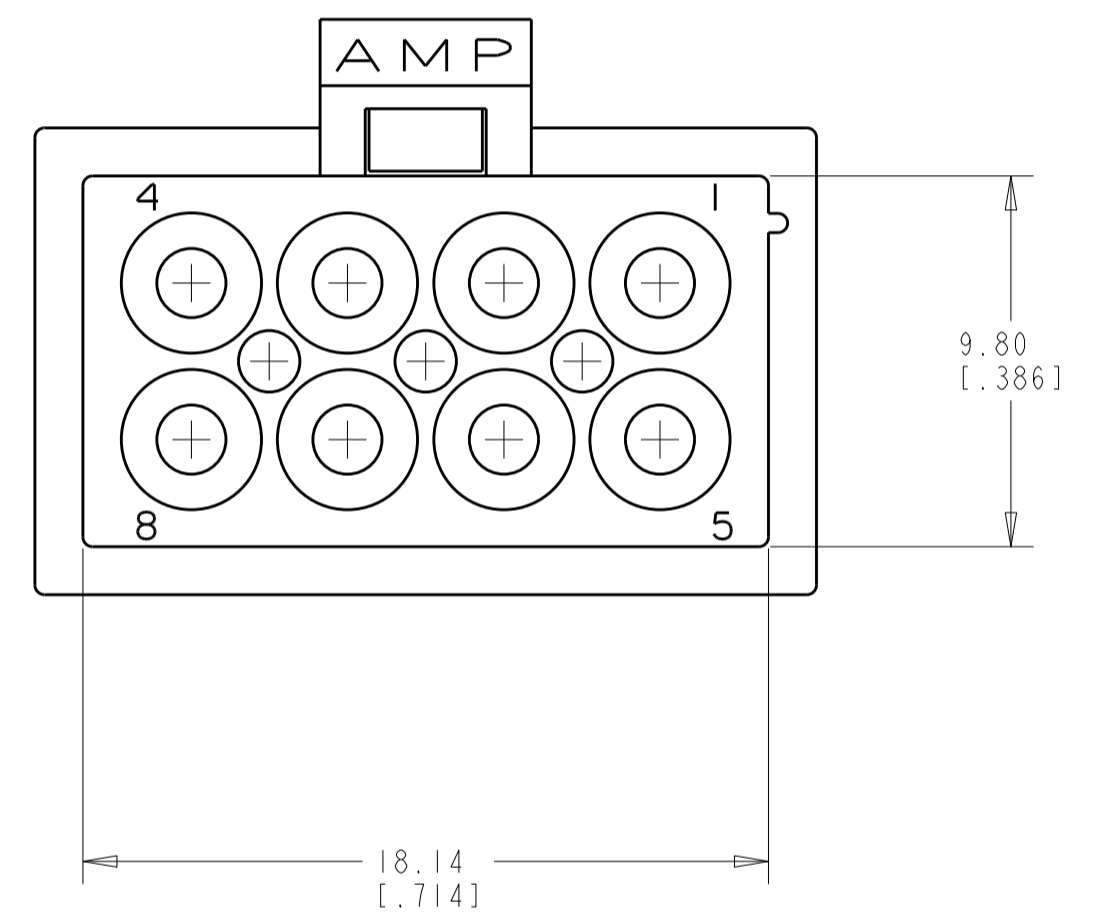
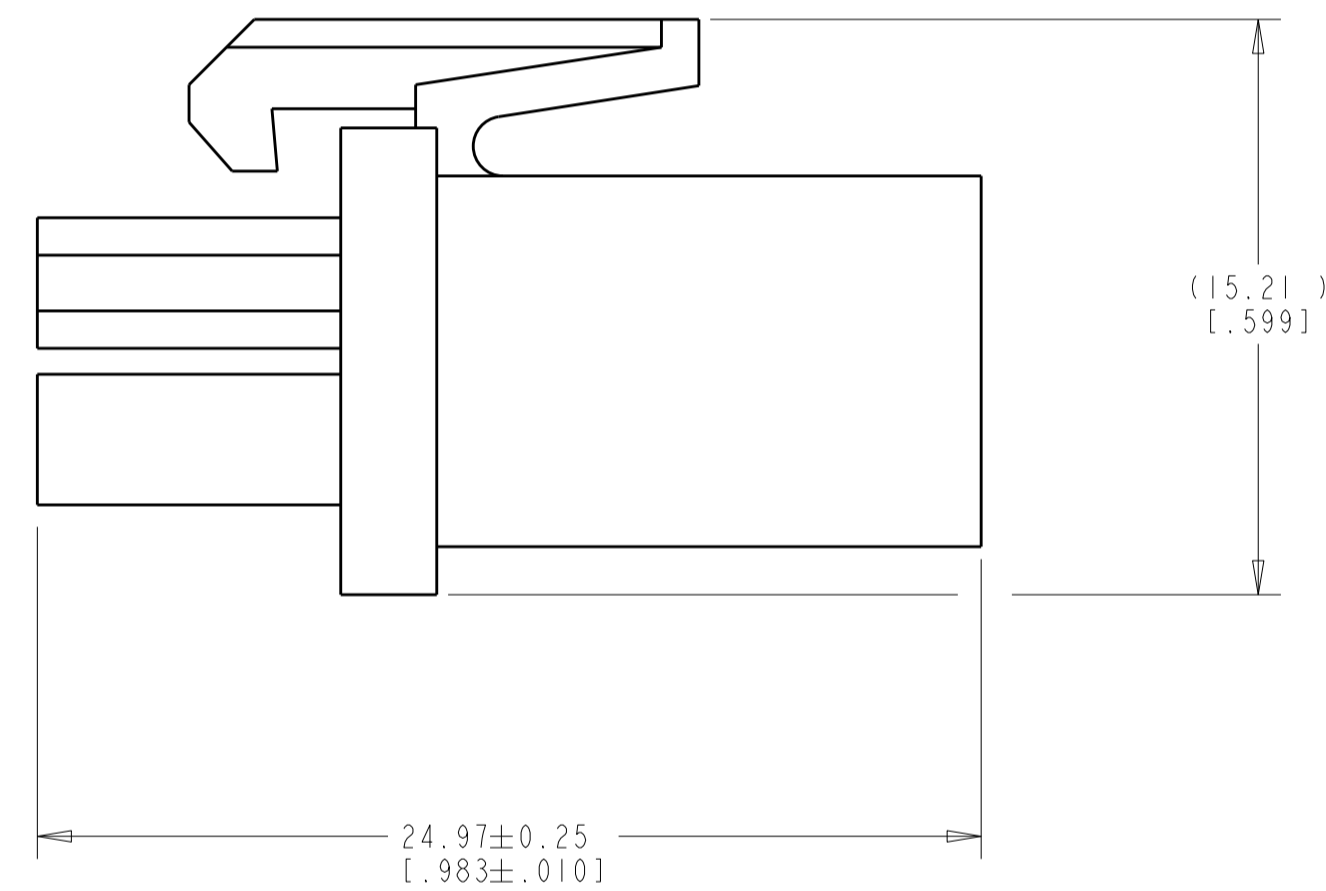
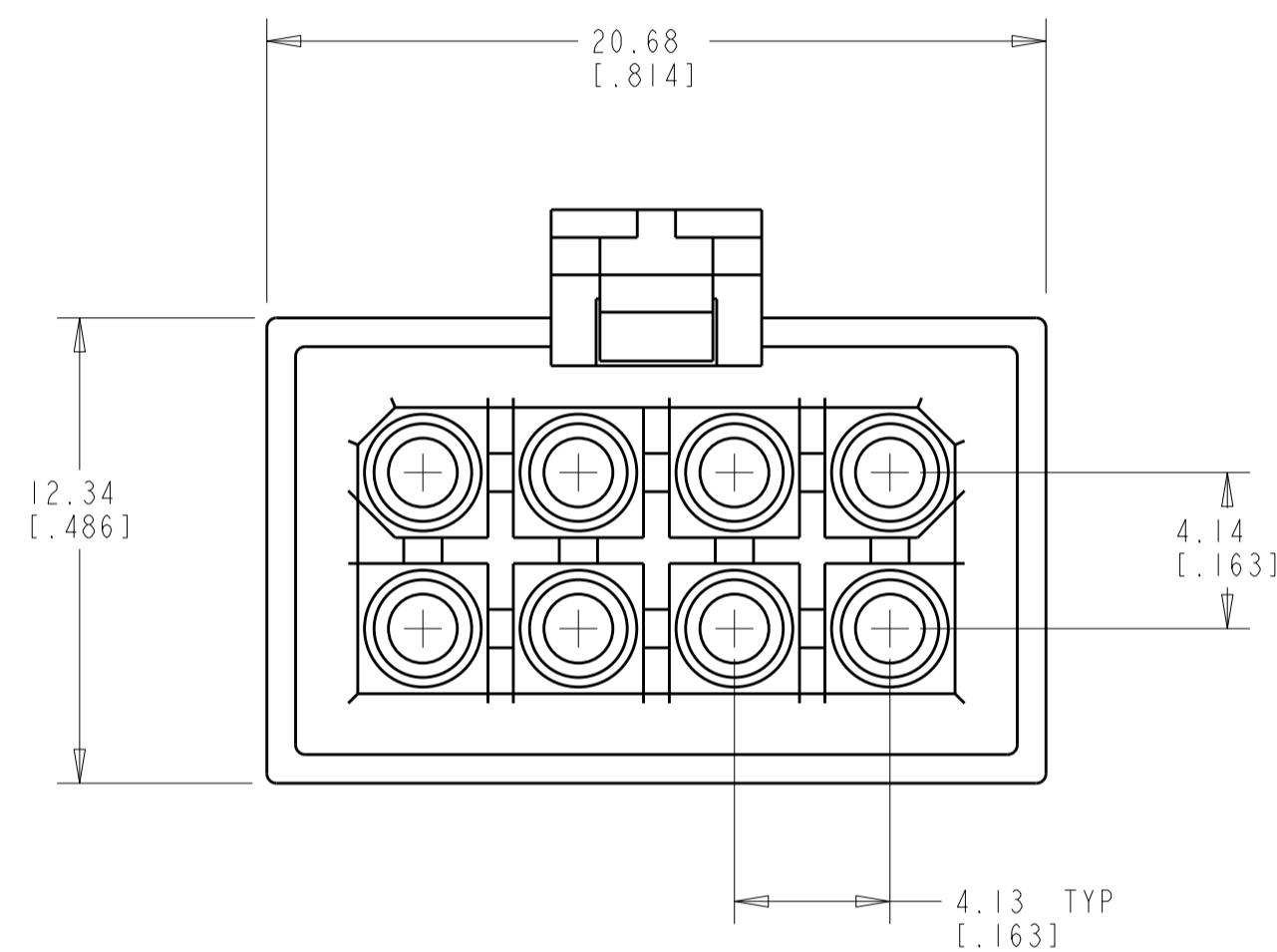


THIS DRAWING IS UNPUBLISHED. RELEASED FOR PUBLICATION 20  
 © COPYRIGHT 20 BY - ALL RIGHTS RESERVED.

LOC	DIST	REVISIONS					
CM	00	P	LTR	DESCRIPTION	DATE	DWN	APVD
		C		REVISED PER ECR-12-017444	27NOV2017	BW	SG

1. DIMENSIONS IN BRACKETS ARE IN INCHES.



3 DIMENSIONAL MODEL  
SCALE 4:1

794821-1  
PART NUMBER

THIS DRAWING IS A CONTROLLED DOCUMENT.		DWN K. WHITAKER	10MAY2000	
DIMENSIONS: mm [ INCHES ]		CHK K. COBLE	10MAY2000	
TOLERANCES UNLESS OTHERWISE SPECIFIED:		APVD K. COBLE	10MAY2000	
0 PLC ±-	1 PLC ±-	PRODUCT SPEC	NAME	
2 PLC ±0.13 [.005]	3 PLC ±-	APPLICATION SPEC	PLUG, 8 CIRCUIT, MINI UNIVERSAL MATE-N-LOK (TM)	
4 PLC ±-	ANGLES ±0°30'	WEIGHT	SIZE	CAGE CODE
MATERIAL NYLON, UL94V-0, WHITE	FINISH	CUSTOMER DRAWING	A2	00779
		SCALE	5:1	SHEET
		DRAWING NO		RESTRICTED TO
		C-794821		-
		REV		C

单击下面可查看定价，库存，交付和生命周期等信息

[>>TE Connectivity\(泰科\)](#)