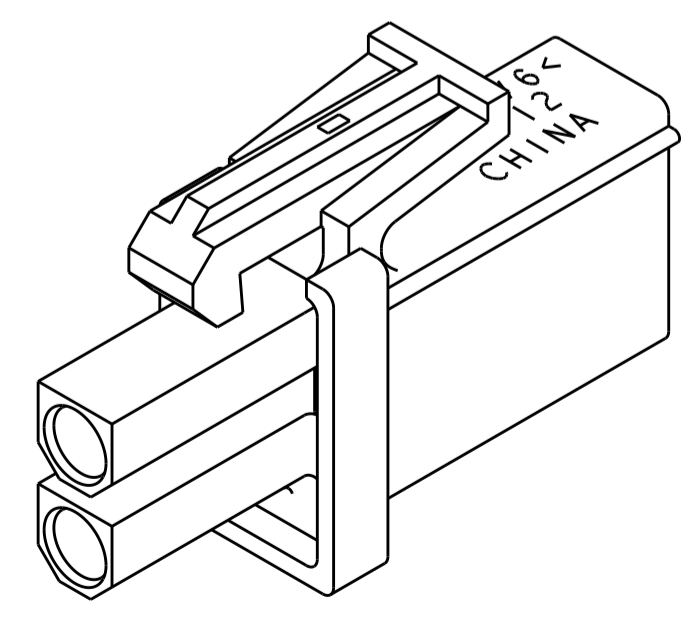
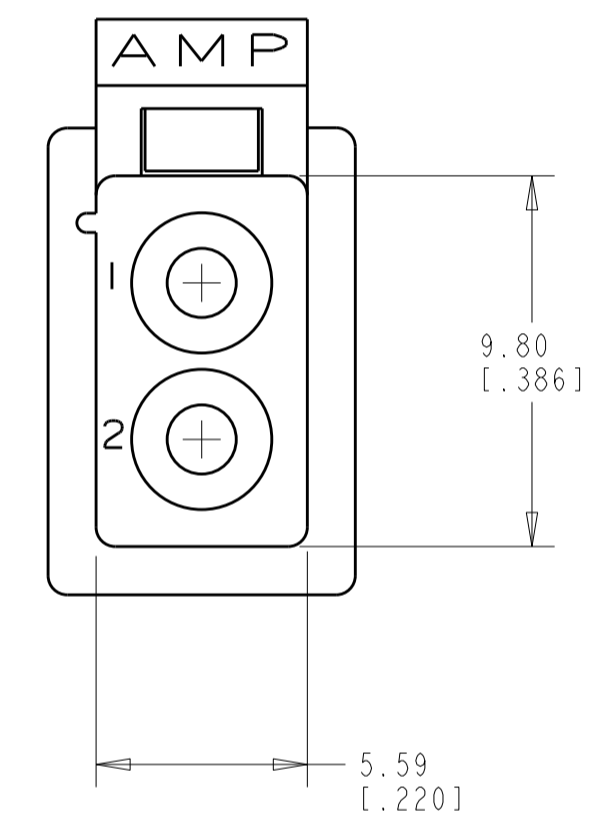
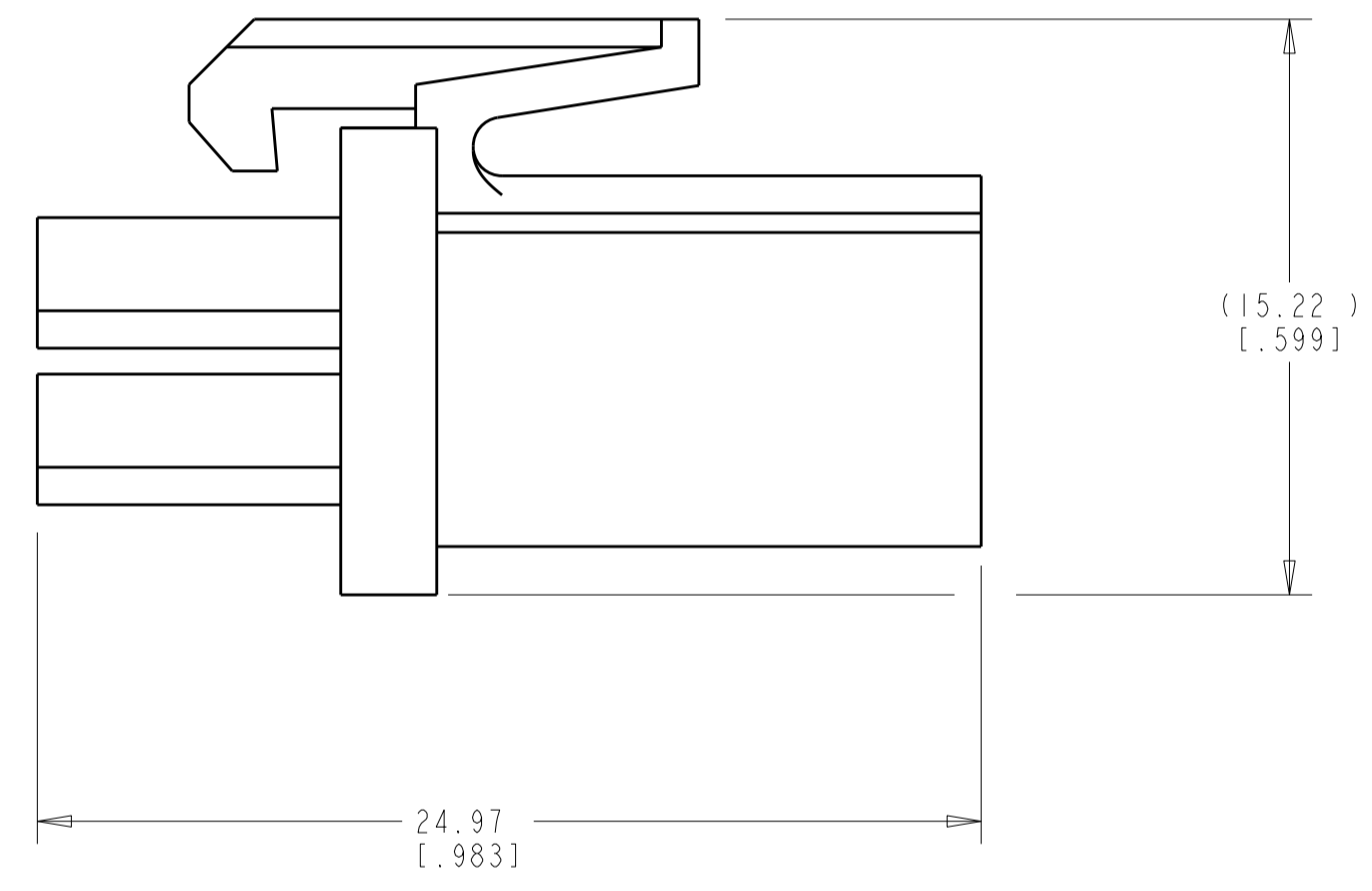
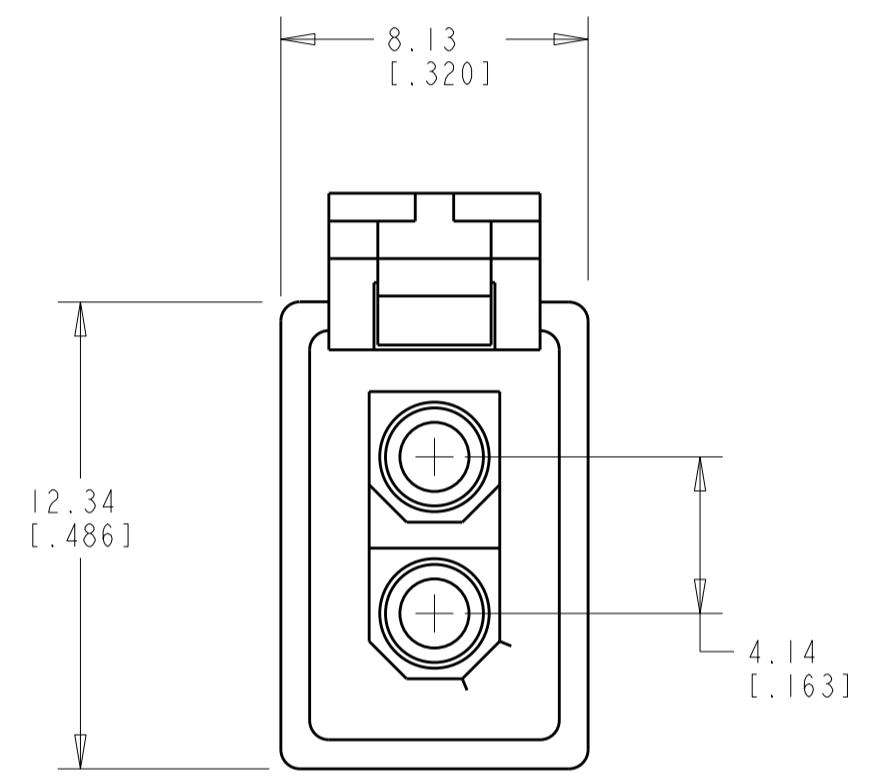


THIS DRAWING IS UNPUBLISHED. RELEASED FOR PUBLICATION 20  
 © COPYRIGHT 20 BY - ALL RIGHTS RESERVED.

| LOC | DIST | REVISIONS |     |                           |           |     |      |
|-----|------|-----------|-----|---------------------------|-----------|-----|------|
| CM  | 00   | P         | LTR | DESCRIPTION               | DATE      | DWN | APVD |
|     |      |           | C   | REVISED PER ECR-12-017444 | 27NOV2017 | BW  | SG   |
|     |      |           |     |                           |           |     |      |
|     |      |           |     |                           |           |     |      |

1. DIMENSIONS IN BRACKETS ARE IN INCHES.  
 ⚠ GWT 750° (WITH OUT FLAME) ACC. IEC 60335-1



3 DIMENSIONAL MODEL  
 SCALE 4:1

|         |         |                 |             |
|---------|---------|-----------------|-------------|
| ⚠       | NATURAL | PA 6 UL94-V2    | 794894-3    |
| ⚠       | RED     | PA 6 UL94-V2    | 794894-2    |
|         | NATURAL | PA66/6 UL94 V-0 | 794894-1    |
| REMARKS | COLOUR  | MATERIAL        | PART NUMBER |

|  |              |                  |             |             |               |
|--|--------------|------------------|-------------|-------------|---------------|
| THIS DRAWING IS A CONTROLLED DOCUMENT. |              | DWN              | 26-JAN-2001 | K. WHITAKER |               |
| DIMENSIONS:<br>mm [ INCHES ]           |              | CHK              | 26-JAN-2001 | C. JONES    |               |
| TOLERANCES UNLESS OTHERWISE SPECIFIED: |              | APVD             | 26-JAN-2001 | C. JONES    |               |
| 0 PLC                                  | ±-           | PRODUCT SPEC     |             |             |               |
| 1 PLC                                  | ±-           | -                |             |             |               |
| 2 PLC                                  | ±0.13 [.005] | APPLICATION SPEC |             |             |               |
| 3 PLC                                  | ±-           | -                |             |             |               |
| 4 PLC                                  | ±-           | WEIGHT           |             |             |               |
| ANGLES                                 | ±0° 30'      | -                |             |             |               |
| FINISH                                 |              | CUSTOMER DRAWING |             |             |               |
| MATERIAL                               | SEE TABLE    | SIZE             | A2          | CAGE CODE   | 00779         |
|  |              | DRAWING NO       | G-794894    |             | RESTRICTED TO |
|  |              | SCALE            | 5:1         | SHEET       | 1 OF 1        |
|  |              | REV              | C           |             |               |



PLUG,  
 2 CIRCUIT, SEALED APPLICATION,  
 MINI UNIVERSAL MATE-N-LOK(TM)

单击下面可查看定价，库存，交付和生命周期等信息

[>>TE Connectivity\(泰科\)](#)