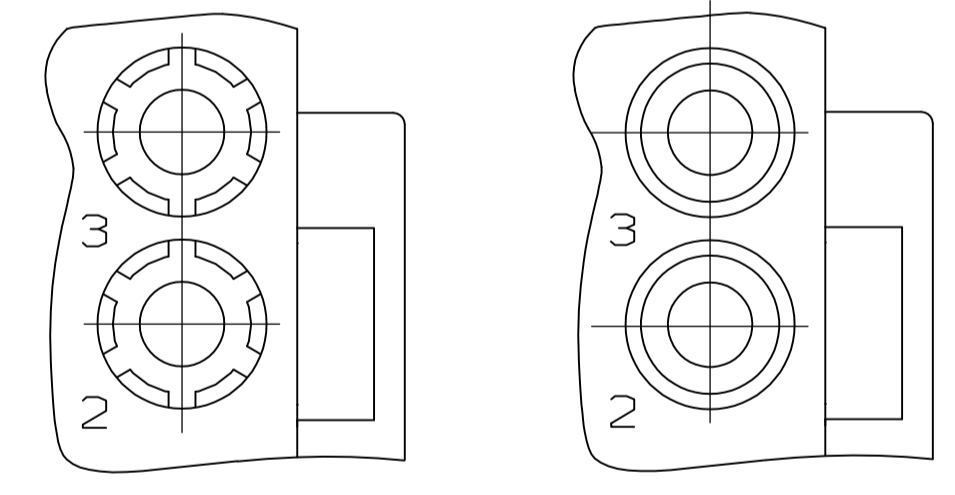
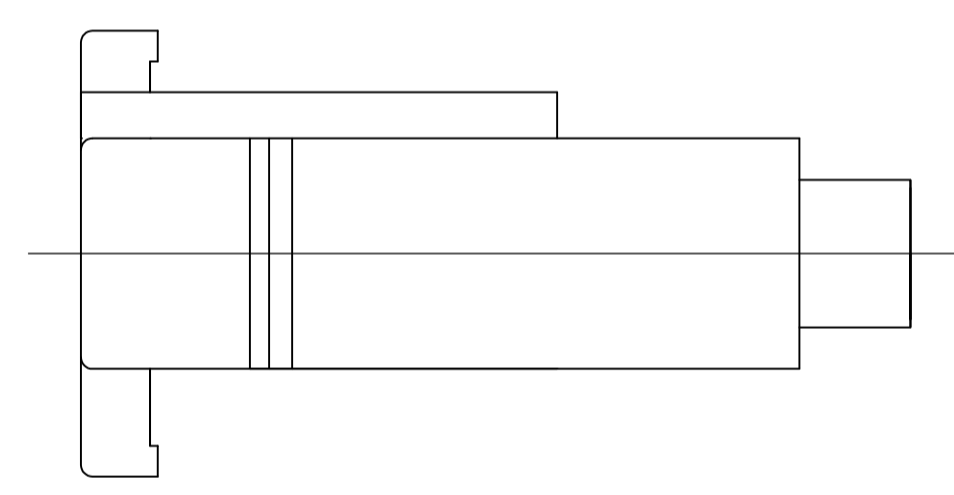
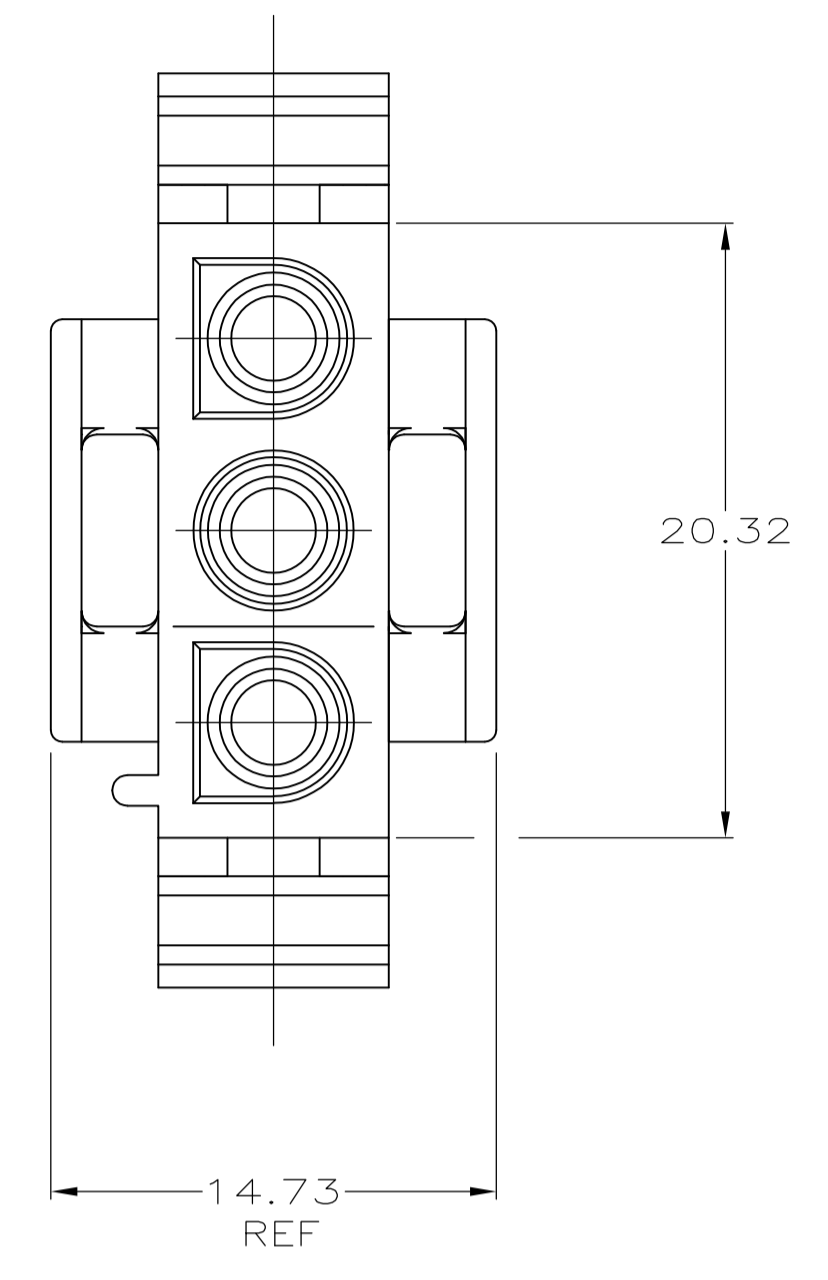
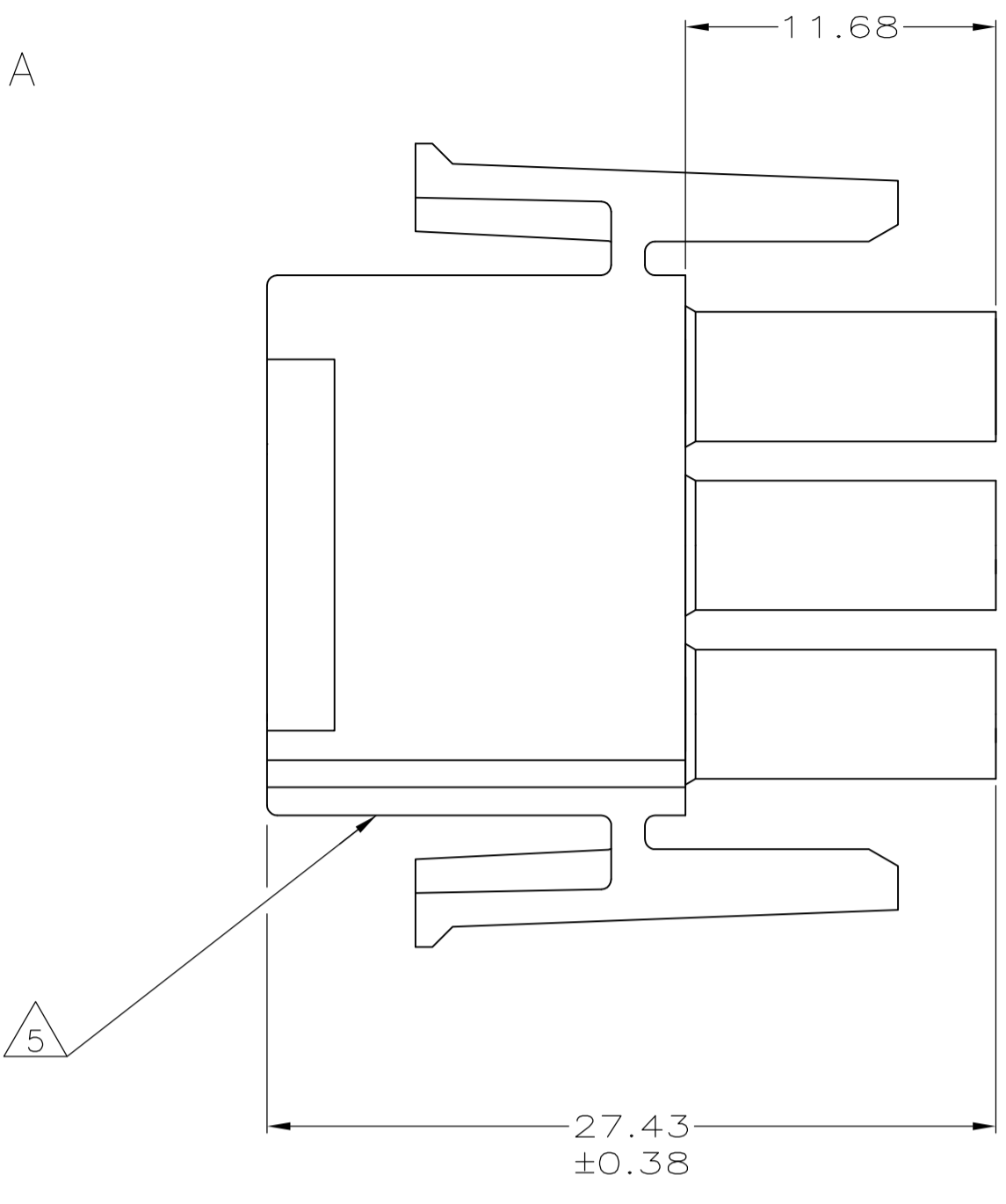
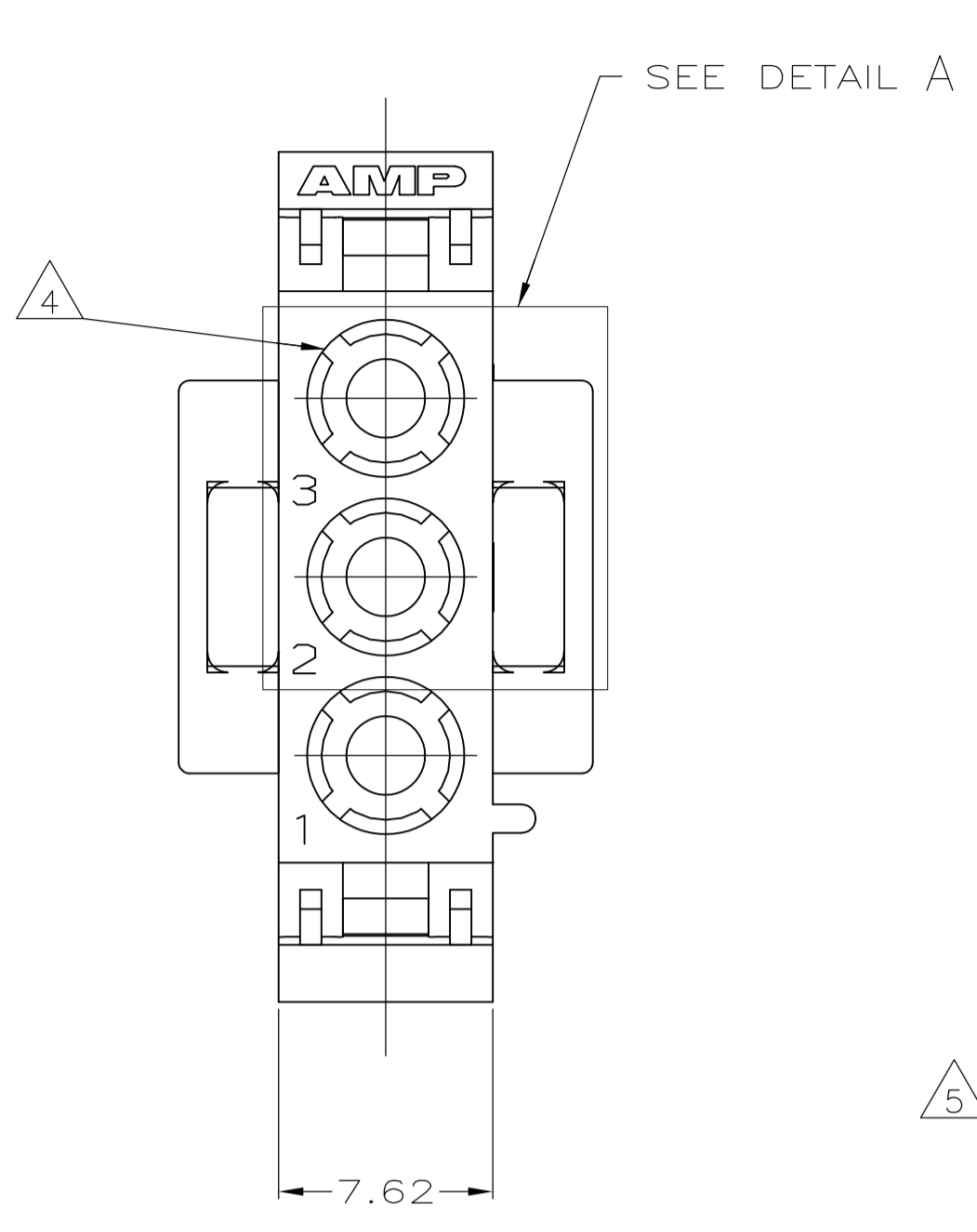


REVISIONS					
P	LTR	DESCRIPTION	DATE	DMN	APVD
A2		REVISED PER ECO-17-011927	23AUG2017	RS	KR

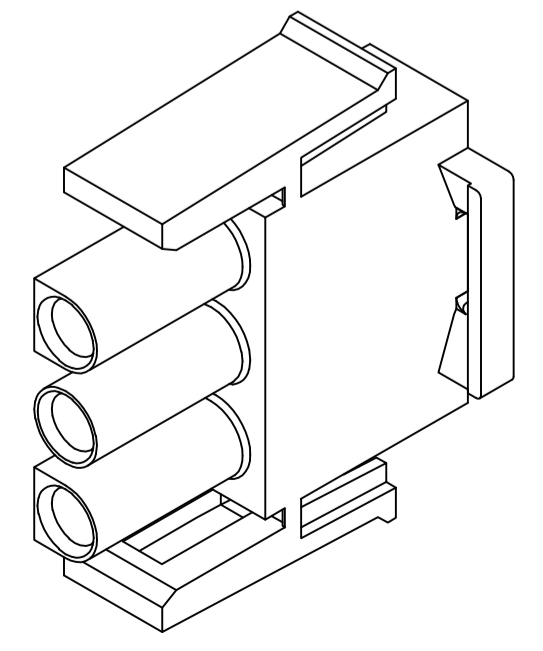


DETAIL A
OPTIONAL CONSTRUCTION

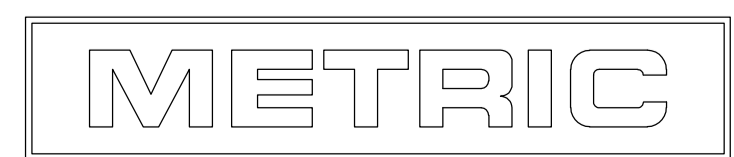
- 1 MATES WITH APPROPRIATE UNIVERSAL MATE-N-LOK™ CAP OR HEADER.
- 2 SMALL NICKS ARE PERMITTED ON THE CIRCUIT TOWERS WHICH COULD INCREASE THE INITIAL HOUSING MATING FORCE BY UP TO 4.4 NEWTONS [1.0 LBS]. NO INDIVIDUAL NICKED TOWER SHALL INCREASE THIS FORCE BY OVER 2.2 NEWTONS [.5 LBS].
- 3 DIMENSIONS SHOWN REPRESENT PRODUCT IN DRY, AS MOLDED CONDITION ADDITIONAL 2% GROWTH DUE TO SUBSEQUENT MOISTURE ABSORPTION MAY OCCUR AND SHOULD BE ACCOUNTED FOR.
- 4 FOUR RIBS EQUALLY SPACED, NO SPECIFIC ORIENTATION. NO RIBS OR SIX RIBS EQUALLY SPACED, NO SPECIFIC ORIENTATION, OPTIONAL.
- 5 UNDERWRITERS RECOGNIZED COMPONENT LOGO AND CSA CERTIFICATION LOGO TO BE LOCATED ONCE EACH ON SIDE OF HOUSING.
- 6 150° C TEMPERATURE RATING FOR THIS HOUSING IS FOR SHORT TERM DURATION. MAX OPERATING TEMPERATURE REMAINS 125° C.
- 7 PHOSPHOR BRONZE CONTACTS SHOULD ALWAYS BE USED WITH THIS HOUSING.

MM	IN
27.43	1.080
20.32	.800
14.73	.580
11.68	.460
7.62	.300
0.38	.015
0.13	.005

CONVERSION TABLE



3-DIMENSIONAL MODEL
NTS



THIS DRAWING IS A CONTROLLED DOCUMENT.		DIN 15-MAY-2001 K. WHITAKER	
DIMENSIONS: mm [INCHES]		CHK 15-MAY-2001 S. RIDGILL	
TOLERANCES UNLESS OTHERWISE SPECIFIED:		APVD 15-MAY-2001 S. RIDGILL	
0. PLC ± -		NAME	
1. PLC ± -		PLUG, 3 CIRCUIT, UNIVERSAL MATE-N-LOK™	
2. PLC ± 0.13[.005]		SIZE CASE CODE DRAWING NO	
3. PLC ± -		A1 00779 C=794901	
4. PLC ± -		RESTRICTED TO	
ANGLES ± 0° 30'		CUSTOMER DRAWING	
MATERIAL NYLON, UL 94V-2, HIGH TEMP	FINISH -	WEIGHT 0.000000	SCALE 4:1 SHEET 1 OF 1 REV A2

BLACK	794901-1
COLOR	PART NUMBER



TE Connectivity

单击下面可查看定价，库存，交付和生命周期等信息

[>>TE Connectivity\(泰科\)](#)