

4

3

2

1

THIS DRAWING IS UNPUBLISHED.

RELEASED FOR PUBLICATION

© COPYRIGHT - By -

ALL RIGHTS RESERVED.

LOC

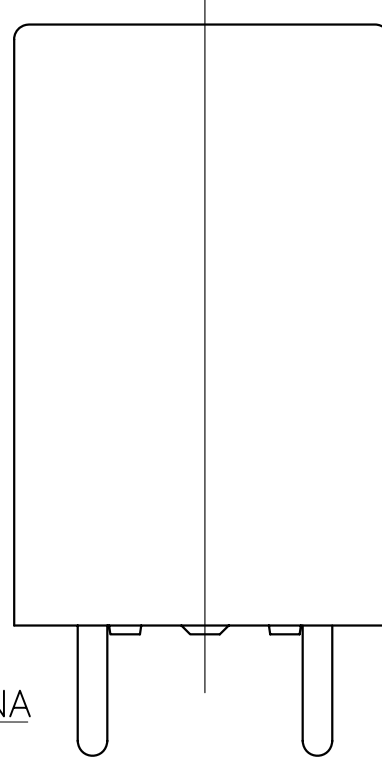
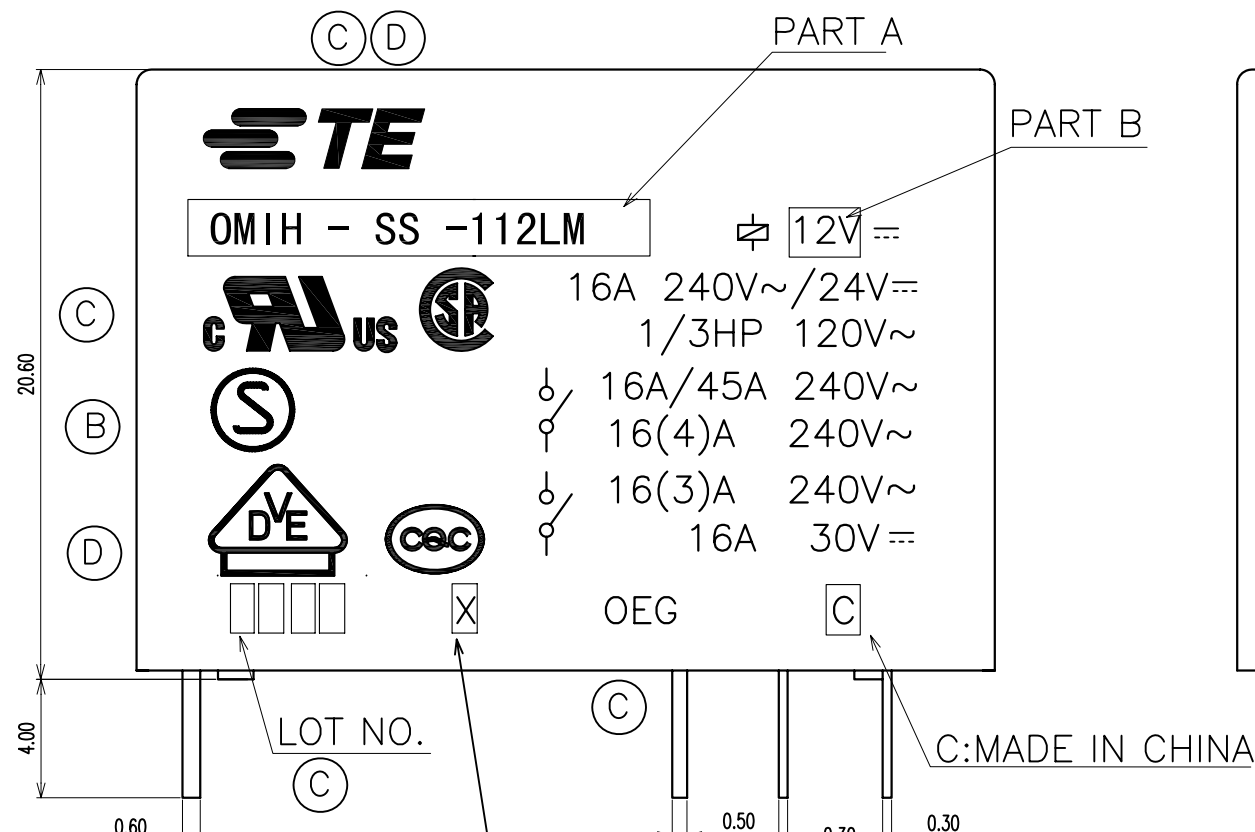
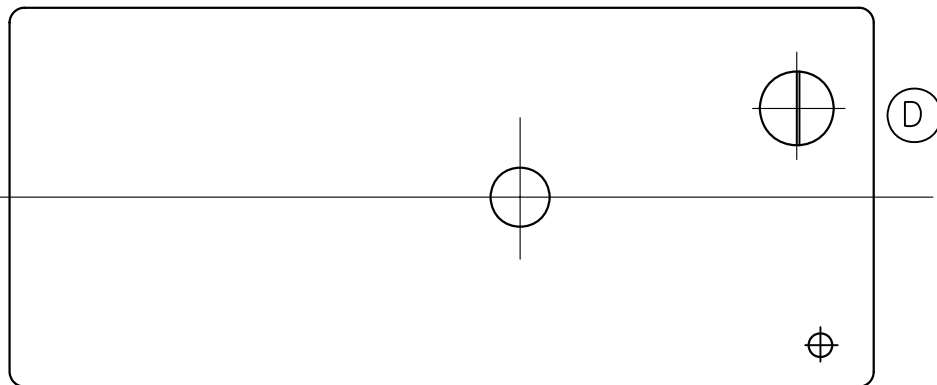
DIST

REVISIONS

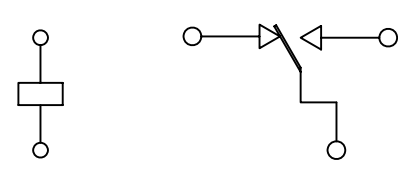
HB

-

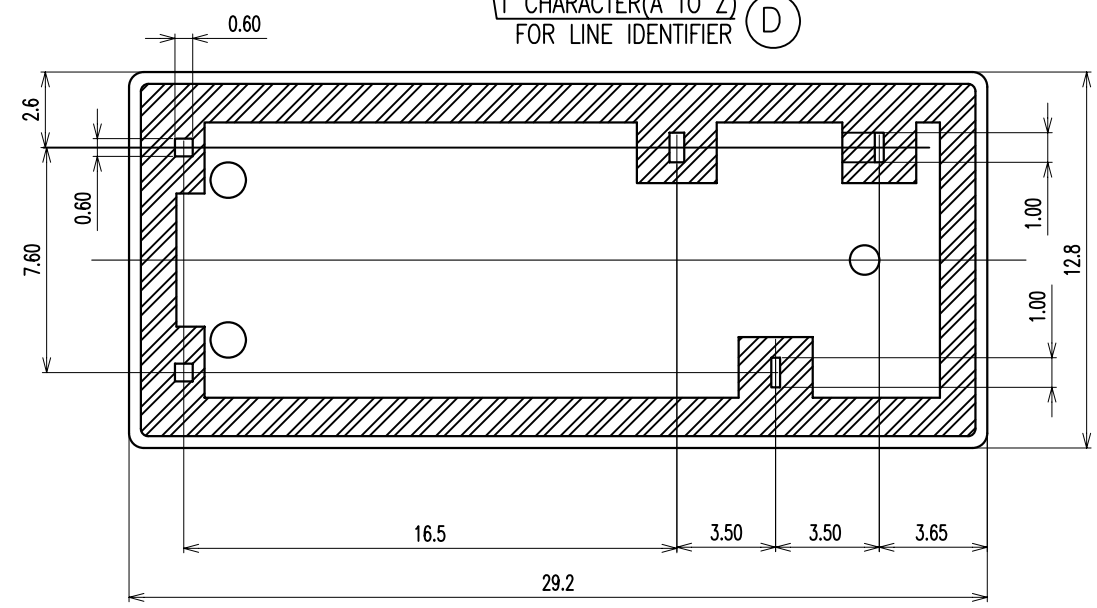
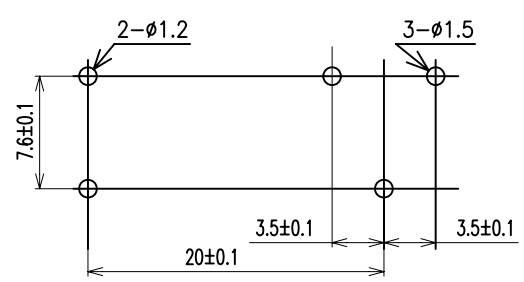
P	LTR	DESCRIPTION	DATE	DWN	APVD
D		CHANGE LOGO, VENT; ADD CQC, LINE IDENTIFIER, PLATING THICKNESS ECO-12-005725	21AUG12	D.L	BH.Y



CONNECTION DIAGRAM (BOTTOM VIEW)



DRILLING DIAGRAM(2/1) (BOTTOM VIEW)

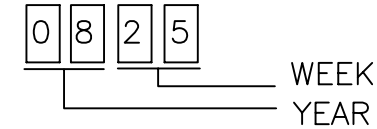


THIS DRAWING IS A CONTROLLED DOCUMENT.		DWN	-	
		CHK	Y.Xiao	
		APVD	N.Funayama	
		PRODUCT SPEC	CH.HSU	
		APPLICATION SPEC	-	
		WEIGHT	-	
		CUSTOMER DRAWING	-	
DIMENSIONS: mm		TE Connectivity		
TOLERANCES UNLESS OTHERWISE SPECIFIED:		NAME		
0 PLC ± -		OMIH CUSTOMER DRAWING		
1 PLC ± -		SIZE	CAGE CODE	DRAWING NO
2 PLC ± -		A3	00779	C=8-1440000-3
3 PLC ± -		RESTRICTED TO		
4 PLC ± -		-		
ANGLES ± -		SCALE	SHEET	REV
FINISH		1:1	1 OF 2	D

THIS DRAWING IS UNPUBLISHED. RELEASED FOR PUBLICATION
 © COPYRIGHT - By - ALL RIGHTS RESERVED.

LOC	DIST	REVISIONS					
		P	LTR	DESCRIPTION	DATE	DWN	APVD
HB	-		D				

- © NOTES:
 1. TERMINAL DIMENSION IS NOT INCLUDING SOLDER TIP.
 2. LOT NO. SYSTEM AS FOLLOWING:



3. GENERAL TOLERANCE AS FOLLOWING:

TOLERANCE	
0~0.99mm	±0.1
1mm~2.99mm	±0.2
3mm MIN.	±0.3

- ④ 4. FOR THE TIN-PLATING OF THE PINS:
 +0.1mm FOR WIDTH, THICKNESS AND DIAMETER.
 +0.5mm FOR LENGTH.

OMIH-SS-148D	9-1440000-1	48V	OMIH-SS-148D
OMIH-SS-124L	9-1440000-0	24V	OMIH-SS-124L
OMIH-SS-124D	8-1440000-8	24V	OMIH-SS-124D
OMIH-SS-112L	8-1440000-5	12V	OMIH-SS-112L
OMIH-SS-112D	8-1440000-3	12V	OMIH-SS-112D
OMIH-SS-109L	8-1440000-1	9V	OMIH-SS-109L
OMIH-SS-109D	1-1461022-1	9V	OMIH-SS-109D
OMIH-SS-106L	1-1461022-0	6V	OMIH-SS-106L
OMIH-SS-106D	1461022-8	6V	OMIH-SS-106D
OMIH-SS-105L	1461022-6	5V	OMIH-SS-105L
OMIH-SS-105D	1461022-4	5V	OMIH-SS-105D
OMIH-SH-124L	1461022-2	24V	OMIH-SH-124L
OMIH-SH-105L	1-1419153-9	5V	OMIH-SH-105L
OMIH-SH-105D	6-1440000-6	5V	OMIH-SH-105D
DESCRIPTION	TE PART NO	PART B	PART A

RELAY TYPE

		UV RESIN	UV SEAL	16
		EPOXY RESIN	SEAL	15
UL94 V-0		PBT	CASE	14
CLASS E		UEW	MAGNETIC WIRE	13
UL94 V-0		PET	BASE	12
UL94 V-0		PBT	BOBBIN	11
	SOLDER DIP	CP WIRE	COIL TERMINAL	10
UL94 V-0		PPS	CARD	9
		Aq ALLOY	MOVABLE CONTACT	8
		Aq ALLOY	STATIONARY CONTACT	7
		Cu ALLOY	HINGE SPRING	6
	SOLDER DIP	Cu ALLOY	STATIONARY TERMINAL	5
	SOLDER DIP	Cu ALLOY	MOVABLE SPRING	4
		STEEL	CORE	3
		STEEL	ARMATURE	2
		STEEL	YOKE	1
INCOMBUSTIBILITY	TREATMENT	MATERIAL	DESCRIPTION	ITEM

THIS DRAWING IS A CONTROLLED DOCUMENT.		DWN Y.Xiao	TE Connectivity			
DIMENSIONS: mm		CHK N.Funayama				
TOLERANCES UNLESS OTHERWISE SPECIFIED:		APVD CH.HSU	NAME			
0 PLC ± - 1 PLC ± - 2 PLC ± - 3 PLC ± - 4 PLC ± - ANGLES ± -		PRODUCT SPEC	OMIH CUSTOMER DRAWING			
MATERIAL		APPLICATION SPEC	SIZE	CAGE CODE	DRAWING NO	RESTRICTED TO
FINISH		WEIGHT	A3	00779	8-1440000-3	-
CUSTOMER DRAWING			SCALE	SHEET	REV	
			1:1	2 of 2	D	

单击下面可查看定价，库存，交付和生命周期等信息

[>>TE Connectivity\(泰科\)](#)