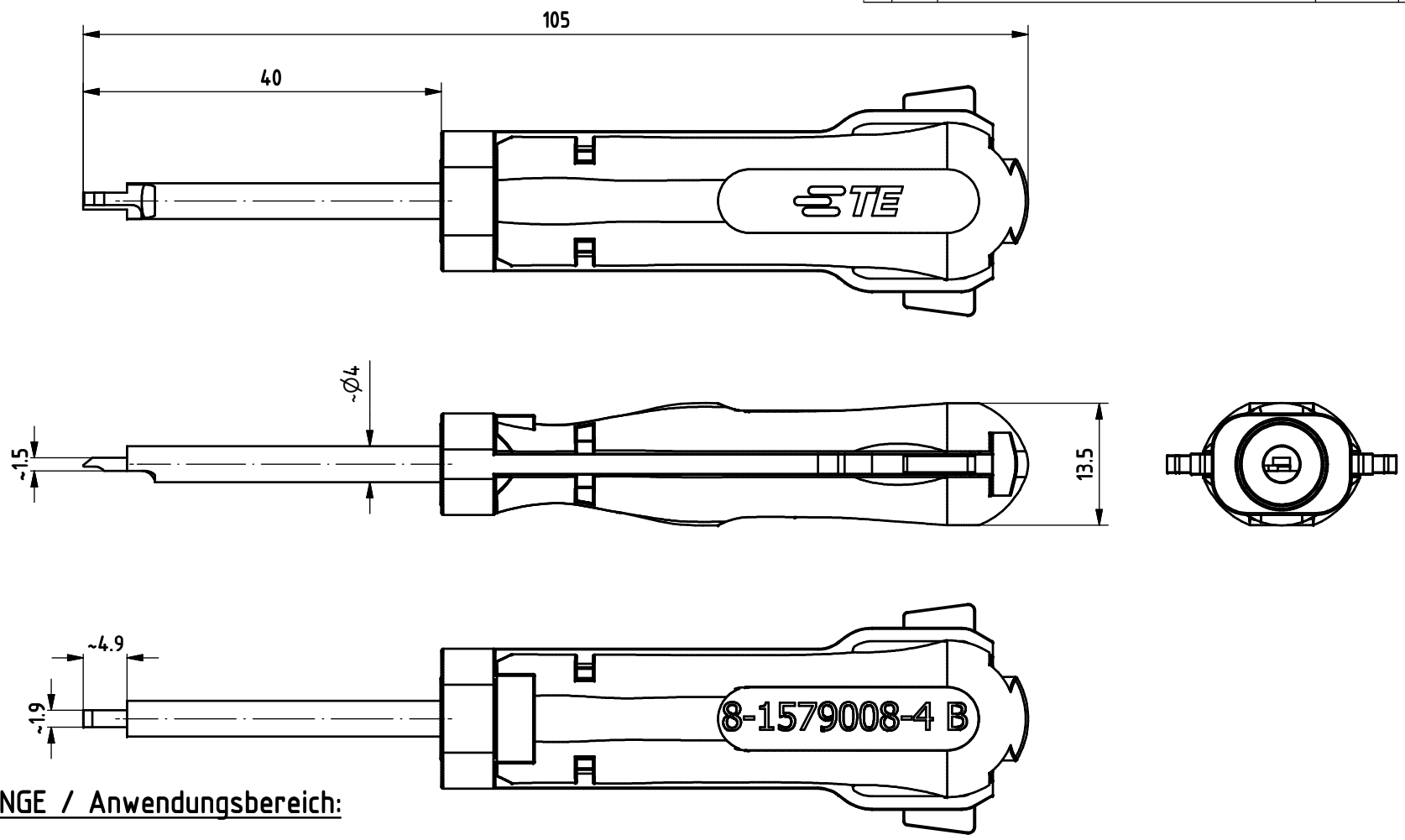


LOC	DIST	REVISIONS					
AI	00	P	LTR	DESCRIPTION	DATE	DWN	APVD
		B1		ECR-17-001726	07FEB17	KH	BM



**APPLICATION RANGE / Anwendungsbereich:**

**CONTACT MCON 1.2:** 1452501, 1534595,  
 1535063, 1570145,  
 1458504, 1418842,  
 1418845, 1418848,  
 1670147, 1418851,

**HOUSING:** 1703440

<b>THIS DRAWING IS A CONTROLLED DOCUMENT.</b>		DWN	S. Samstag	05 JUN 2008	TE Connectivity
DIMENSIONS: mm		CHK	G. Stegmayer	05 JUN 2008	
TOLERANCES UNLESS OTHERWISE SPECIFIED: 0 PLC ± 1 PLC ±±± 2 PLC ±±±± 3 PLC ±±±±± 4 PLC ±±±±±± ANGLES ±		APVD	G. Stegmayer	05 JUN 2008	
MATERIAL:		PRODUCT SPEC	NAME		
FINISH		APPLICATION SPEC	114-18464		EXTRACTION TOOL
		Gewicht / Weight in Kg	0.009 kg		ENTRIEGLUNGSWERKZEUG
		SIZE	A3	CAGE CODE	00779
		DRAWING NO	8-1579008-4		RESTRICTED TO
		SCALE	1:1		SHEET
		REV	B1		1 OF 1
<b>CUSTOMER DRAWING</b>					

单击下面可查看定价，库存，交付和生命周期等信息

[>>TE Connectivity\(泰科\)](#)