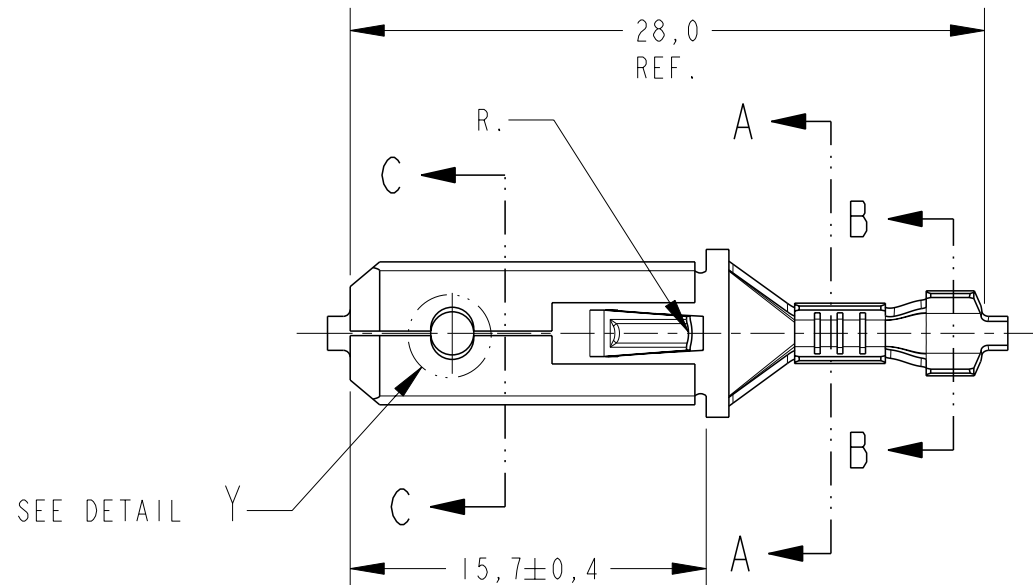


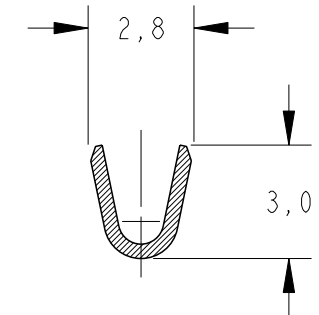
LOC AP DIST -

REVISIONS

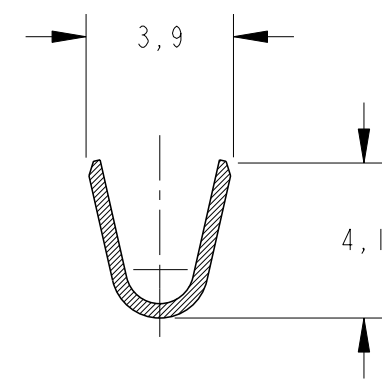
| P | LTR | DESCRIPTION | DATE | DWN | APVD |
|---|-----|-----------------------------|-----------|-----|------|
| | D4 | REDRAW BY CAD ECO-12-014149 | 20AUG2012 | NCL | DAO |



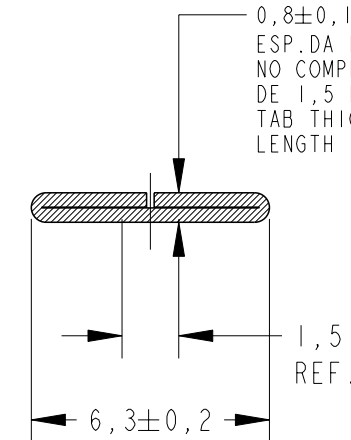
SEE DETAIL Y



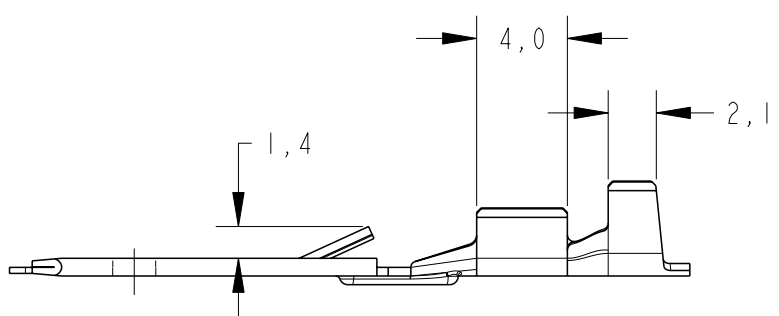
SECTION A-A SCALE 5:1



SECTION B-B SCALE 5:1



SECTION C-C SCALE 5:1



| | | | |
|-----------------|--------------------------|---------------------------|--------------------|
| OBSOLETE | PRATEADO/SILVER PLATED | LATÃO / BRASS | 880688 -7 |
| OBSOLETE | PRÉ-ESTANHADO/PRE-TINNED | BRONZE FOSF./PHOSP BRONZE | 880688 -6 |
| OBSOLETE | PRÉ-ESTANHADO/PRE-TINNED | LATÃO / BRASS | 880688 -5 |
| OBSOLETE | ESTANHADO/TIN PLATED | BRONZE FOSF./PHOSP BRONZE | 880688 -4 |
| OBSOLETE | | BRONZE FOSF./PHOSP BRONZE | 880688 -3 |
| | ESTANHADO/TIN PLATED | LATÃO / BRASS | 880688 -2 |
| | | LATÃO / BRASS | 880688 -1 |
| | FINISH | MATERIAL | PART NUMBER |

| INS. RANGE | WIRE RANGE |
|-------------|------------------------|
| ∅ 2,0-3,3mm | 0,5-1,0mm ² |

THIS DRAWING IS A CONTROLLED DOCUMENT.

DWN NCLAPRESA 17JUL2012
 CHK JRGOLDSCHMIDT 17JUL2012
 APVD DAOLIVEIRA 17JUL2012

DIMENSIONS: mm

TOLERANCES UNLESS OTHERWISE SPECIFIED:
 0 PLC ±0,3
 1 PLC ±0,3
 2 PLC ±0,3
 3 PLC ±0,3
 4 PLC ±0,3
 ANGLES ±1°

MATERIAL SEE TABLE FINISH SEE TABLE

WEIGHT -

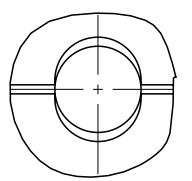
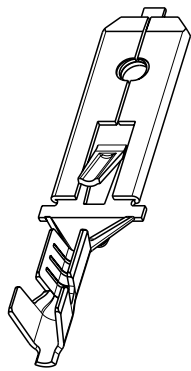
CUSTOMER DRAWING

STE TE Connectivity

NAME: -
 PRODUCT SPEC: -
 APPLICATION SPEC: -

SIZE: A3 CAGE CODE: 00779 DRAWING NO: C-880688 RESTRICTED TO: -

SCALE: 3:1 SHEET: 1 OF 1 REV: D4



DETAIL Y SCALE 6:1 CONSTRUÇÃO OPCIONAL OPTIONAL CONSTRUCTION



单击下面可查看定价，库存，交付和生命周期等信息

[>>TE Connectivity\(泰科\)](#)