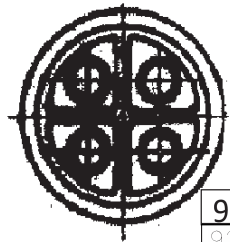
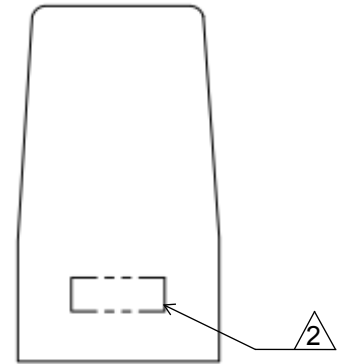
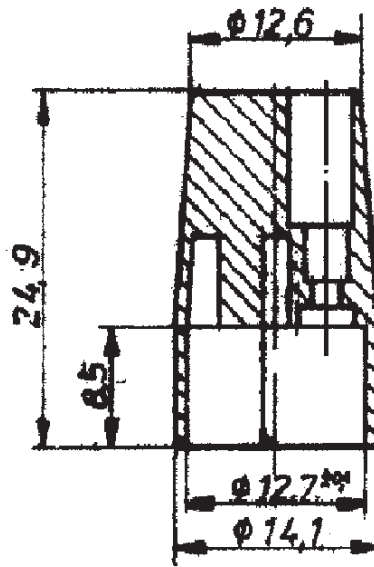
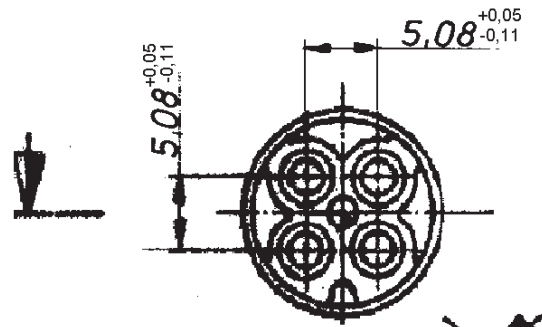


LOC	DIST	REVISIONS					
AL	2	P	LTR	DESCRIPTION	DATE	DWN	APVD
			H5	REVISED PER ECR-15-014424	18NOV2015	NK	EW



- 1 OBSOLETE PARTS: OBSOLETE CIS STREAMLINING PER D.RENAUD/D.SINISI
- 2 FROST TE LOGO ON THIS SURFACE PER P/N: 1621426-4

1 OBSOLETE	925075-7	PA66 GWT 750°C-V0	NATURAL
	925075-6	PA6 GWT750°C-V2	NATURAL
1 OBSOLETE	925075-4	PA66	RED
	925075-3	PA66	BLACK
1 OBSOLETE	925075-2	PA66 UL94	WHITE
	925075-1	PA66 UL94	NATURAL
	925075-0	PA66	NATURAL
	PN	MATERIAL	COLOUR

THIS DRAWING IS UNPUBLISHED.
 ALL RIGHTS RESERVED.
 BY I
 COPYRIGHT I
 ©

DIMENSIONS:		DWN	10AUG2009	MATERIAL	SEE TABLE	FINISH	-
mm		J. SALO		TE Connectivity			
TOLERANCES UNLESS OTHERWISE SPECIFIED:		CHK	10AUG2009				
0 PLC ±-		R. SOLE		NAME 4 WAY CIRCULAR MATE-N-LOK PIN HOUSING			
1 PLC ±0,4		APVD	10AUG2009				
2 PLC ±0,4		G. TURCO		SIZE	A 4	CAGE CODE	-
3 PLC ±-		PRODUCT SPEC	-	DRAWING NO	C=925075		
4 PLC ±-		APPLICATION SPEC	-	RESTRICTED TO	-		
ANGLES ±° 30'		WEIGHT	-	SCALE 2:1 SHEET 1 OF 1 REV H5			
		CUSTOMER DRAWING					

单击下面可查看定价，库存，交付和生命周期等信息

[>>TE Connectivity\(泰科\)](#)