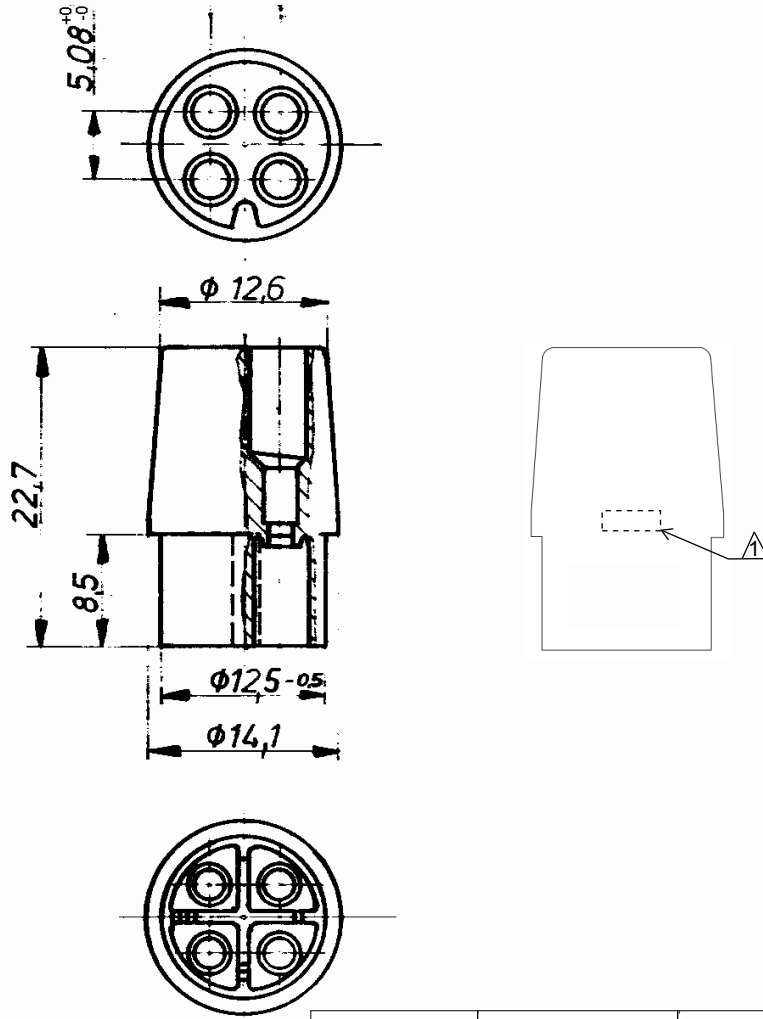


LOC	DIST	REVISONS					
AL	2	P	LTR	DESCRIPTION	DATE	DWN	APVD
		C5		REVISED PER ECR-15-014424	18NOV2015	NK	EW



1 FROST TE LOGO ON THIS SURFACE
PER P/N: 1621426-4

925076-7	PA66 GWT 750°C-V0	NATURAL	
925076-6	PA6 GWT750°C-V2	NATURAL	
925076-4	PA66	RED	
925076-3	PA66	BLACK	
OBSOLETE	925076-2	PA66 UL94	WHITE
OBSOLETE	925076-1	PA66 UL94	NATURAL
925076	PA66 UL94 V-2	NATURAL	
PN	MATERIAL	COLOUR	

THIS DRAWING IS UNPUBLISHED.
 RELEASED FOR PUBLICATION 20
 © COPYRIGHT 20 BY TYCO ELECTRONICS CORPORATION. ALL RIGHTS RESERVED.

DIMENSIONS: mm TOLERANCES UNLESS OTHERWISE SPECIFIED: 0 PLC ± 1 PLC ±0,4 2 PLC ±0,4 3 PLC ± 4 PLC ± ANGLES ±1°30'	DWN J. SALO 10AUG2009	MATERIAL	SEE TABLE		FINISH	-
	CHK R. SOLE 10AUG2009	TE Connectivity NAME 4 WAY CIRCULAR MATE-N-LOK SOCKET HOUSING				
APVD G. TURCO 10AUG2009						
PRODUCT SPEC	NAME					
APPLICATION SPEC	SIZE					
WEIGHT	CAGE CODE					
	DRAWING NO					
	RESTRICTED TO					
	A400779					
	C-925076					
CUSTOMER DRAWING			SCALE	2:1	SHEET	1 OF 1
					REV	C5

单击下面可查看定价，库存，交付和生命周期等信息

[>>TE Connectivity\(泰科\)](#)