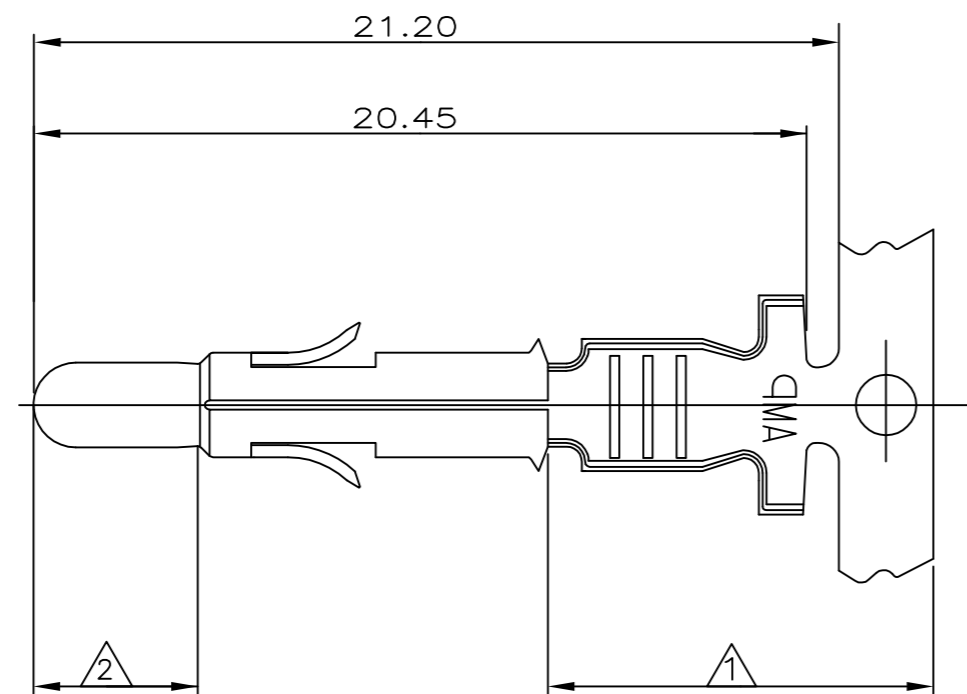
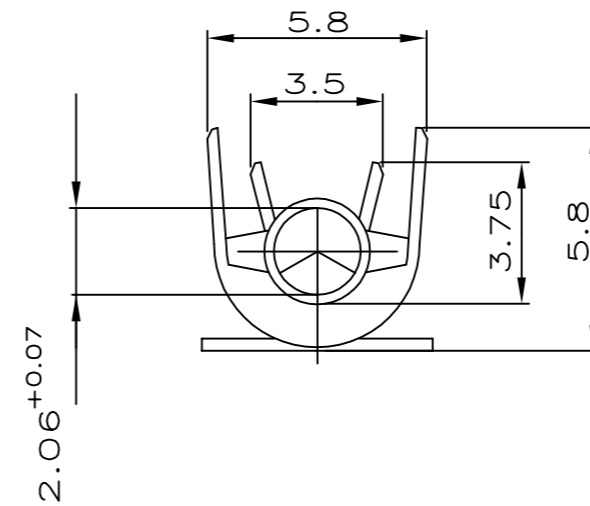
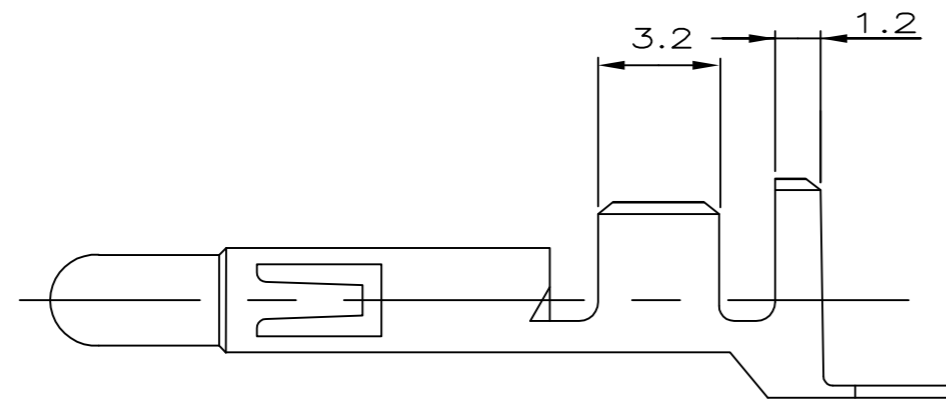


THIS DRAWING IS UNPUBLISHED. RELEASED FOR PUBLICATION  
 © COPYRIGHT - By - ALL RIGHTS RESERVED.

REVISIONS					
P	LTR	DESCRIPTION	DATE	DWN	APVD
G2		REVISED PER ECR-17-013854	22SEP2017	BDA	KR



- 1 2-6 µm Sn über Ni in der Crimpzone
- 2 0.8 µm Gold über Nickel in der kontaktzone
- 3 Für isolations Ø3.3-5.1 mm geeignet

	926900-7	926868-7	CuZn30 F53	1 2
	926900-6	926868-6	CuSn4 F56	1 2
OBSOLETE	926900-5	926868-5	CuCrZr F50	vorverzinnt
OBSOLETE	926900-4	926868-4	CuCrZr F50	blank
	926900-3	926868-3	CuSn4 F56	vorverzinnt
	926900-1	926868-1	CuZn30 F53	vorverzinnt
	LOOSE PIECE	Bestell-Nr	werkstoff	Oberfläche Farbe

THIS DRAWING IS A CONTROLLED DOCUMENT.		DWN	21OCT2013	 TE Connectivity Universal M-N-L Stift DGB 1.5-2.5mm <sup>2</sup>	
DIMENSIONS: mm		CHK	21OCT2013		
TOLERANCES UNLESS OTHERWISE SPECIFIED:		APVD	21OCT2013		
0 PLC ± - 1 PLC ± - 2 PLC ± 0.20 3 PLC ± - 4 PLC ± - ANGLES ± - FINISH -		NAME	RAJENDRA PAI		
MATERIAL		PRODUCT SPEC		SIZE	A2
		APPLICATION SPEC		CAGE CODE	00779
		WEIGHT		DRAWING NO	C=926868
		CUSTOMER DRAWING		RESTRICTED TO	-
		SCALE	1:1	SHEET	1 of 1
		REV	G2		

单击下面可查看定价，库存，交付和生命周期等信息

[>>TE Connectivity\(泰科\)](#)