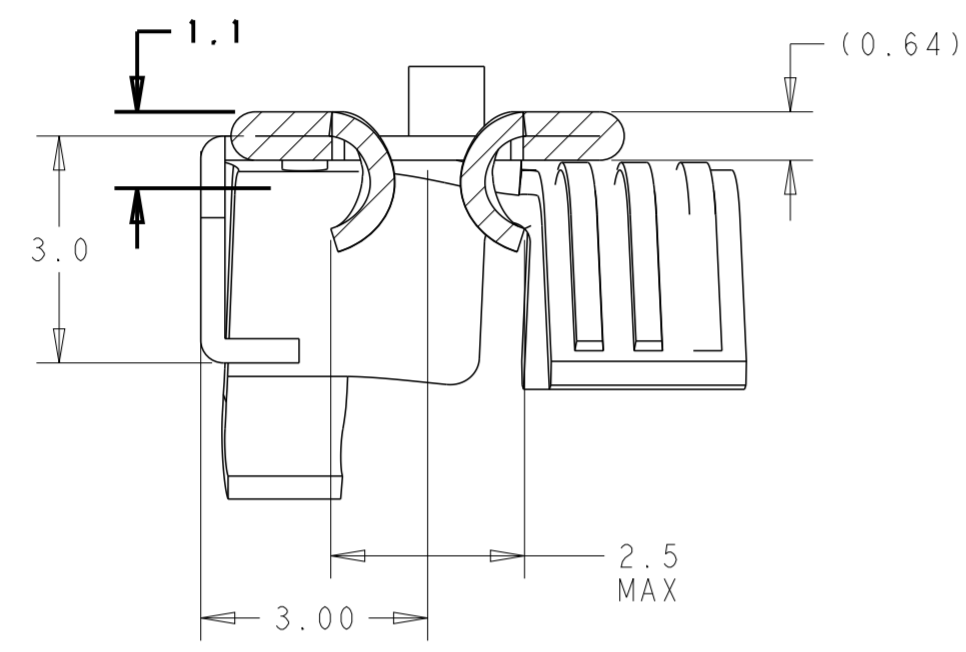


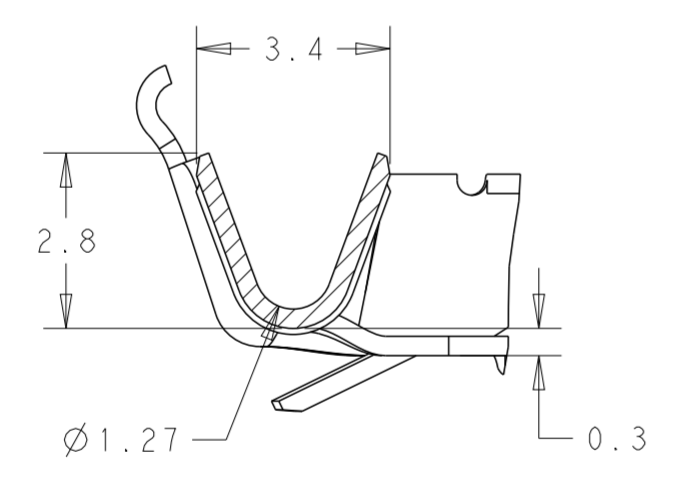
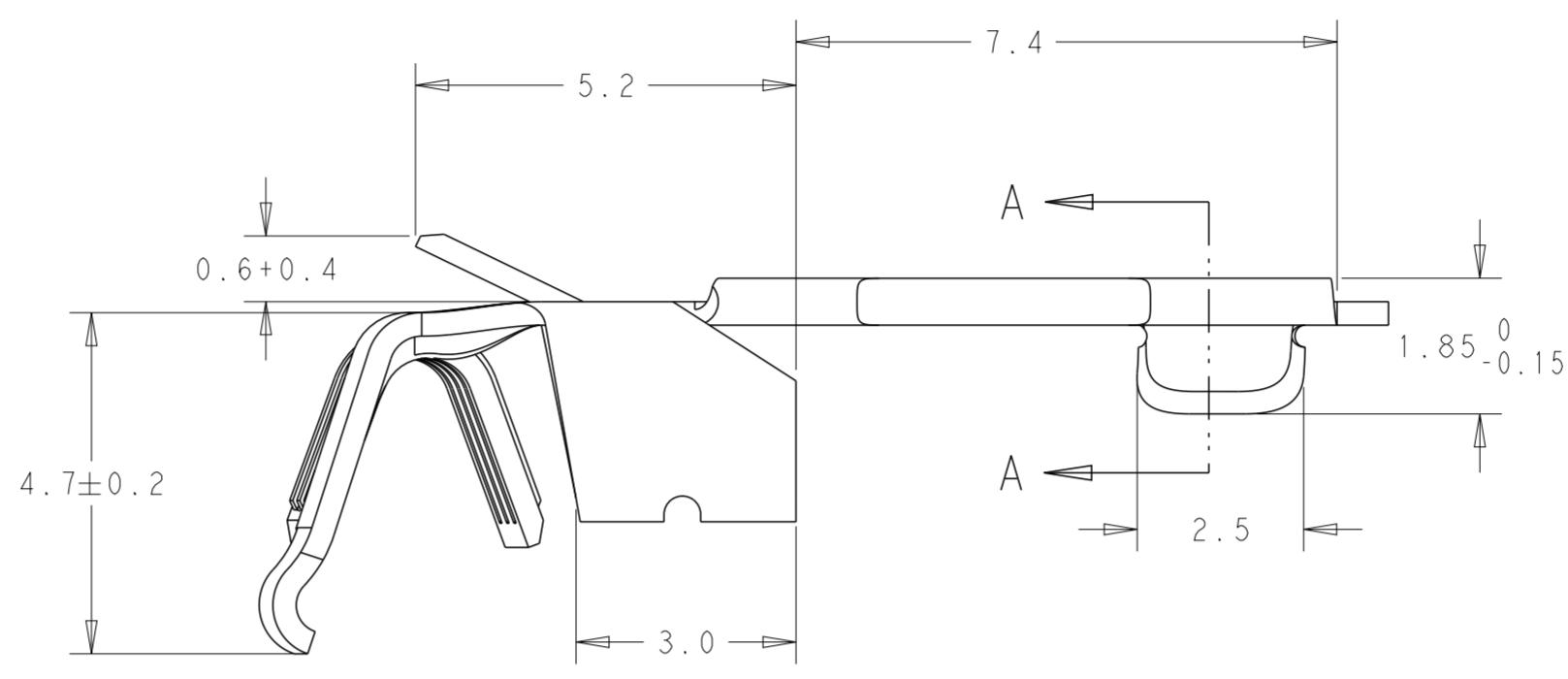
THIS DRAWING IS UNPUBLISHED. RELEASED FOR PUBLICATION 20  
 © COPYRIGHT 20 BY - ALL RIGHTS RESERVED.

REVISIONS				
P	LTR	DESCRIPTION	DATE	APVD
C		REVISED PER ECR-16-003937	07APR2016	BW JP

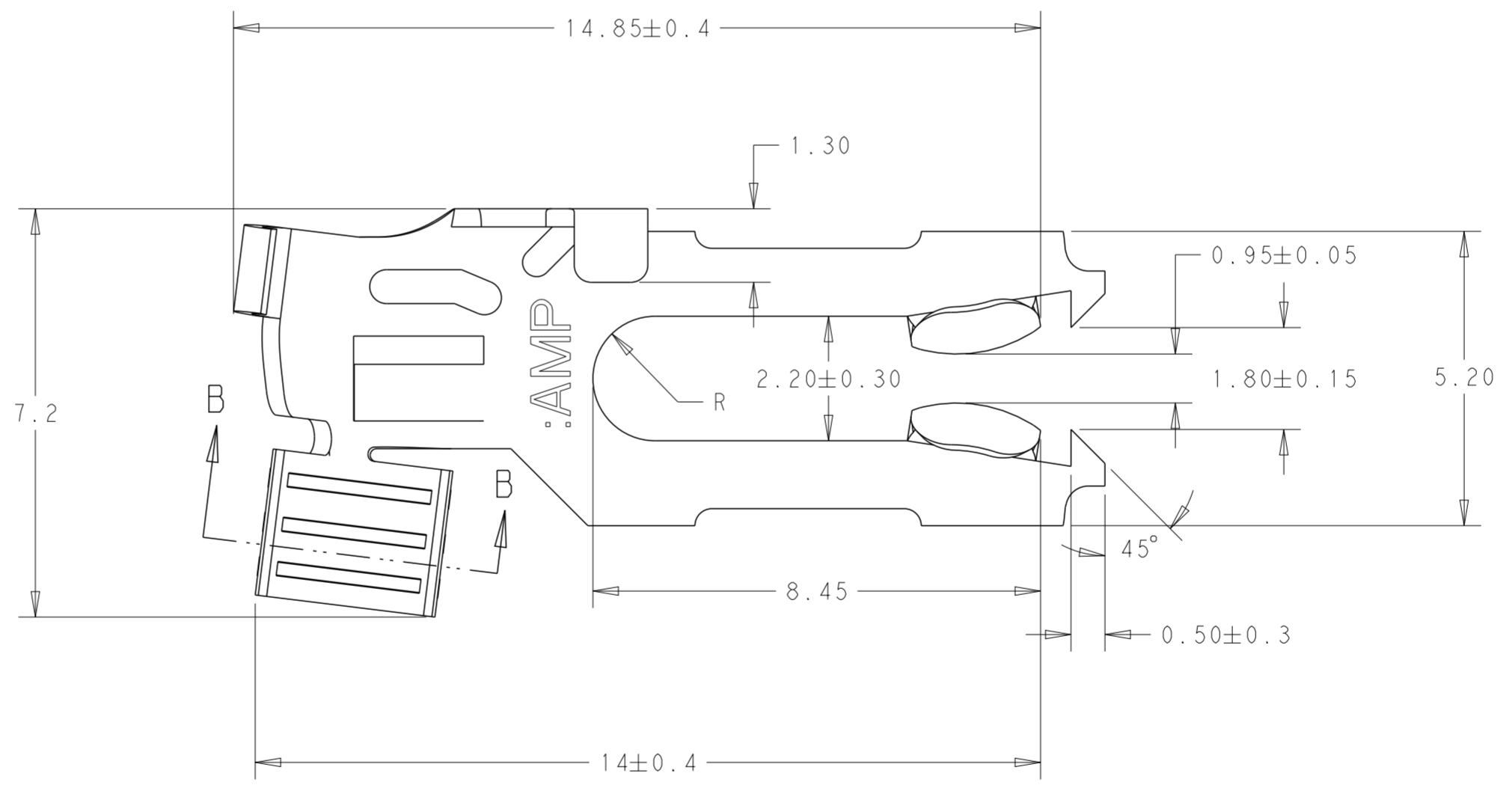
1 TESTED ACCORDING VDE-PM906 VDE 0627/PM 906  
 DIN EN 61984 (VDE 0627):2009-11;  
 (IEC-COR. :2011 ZU IEC 61984:2008)



SECTION A-A



SECTION B-B



SUITABLE FOR WIRE CROSS SECTION (DGB) 0.5-1.0mm (AWG 20-17)  
 AND INSULATION DIA 1.76 TO 2.5mm  
 PCB THICKNESS 1.3 TO 1.7mm INCLUDING GALVANIC TIN 2µm  
 WIRE BRUSH LENGTH TO BE 0.3mm MAX

TIN	CuSn4 F56	926917-1
PLATING	MATERIAL	PART NO.

THIS DRAWING IS A CONTROLLED DOCUMENT.		DWN BASVESH WARAD 21MAR2016	<b>STE</b> TE Connectivity	
DIMENSIONS: mm		CHK POTERJOY, JOSH 21MAR2016		
TOLERANCES UNLESS OTHERWISE SPECIFIED:		APVD POTERJOY, JOSH 21MAR2016	NAME MT-EDGE-CRIMP-CONTACT 5mm	
0 PLC ±		PRODUCT SPEC	SIZE	
1 PLC ±		APPLICATION SPEC	CAGE CODE	
2 PLC ±0.15		WEIGHT	DRAWING NO	
3 PLC ±		CUSTOMER DRAWING	RESTRICTED TO	
4 PLC ±			A2	
ANGLES ±0.5°			SCALE 8:1	
FINISH			SHEET 1 OF 1	
			REV C	

单击下面可查看定价，库存，交付和生命周期等信息

[>>TE Connectivity\(泰科\)](#)