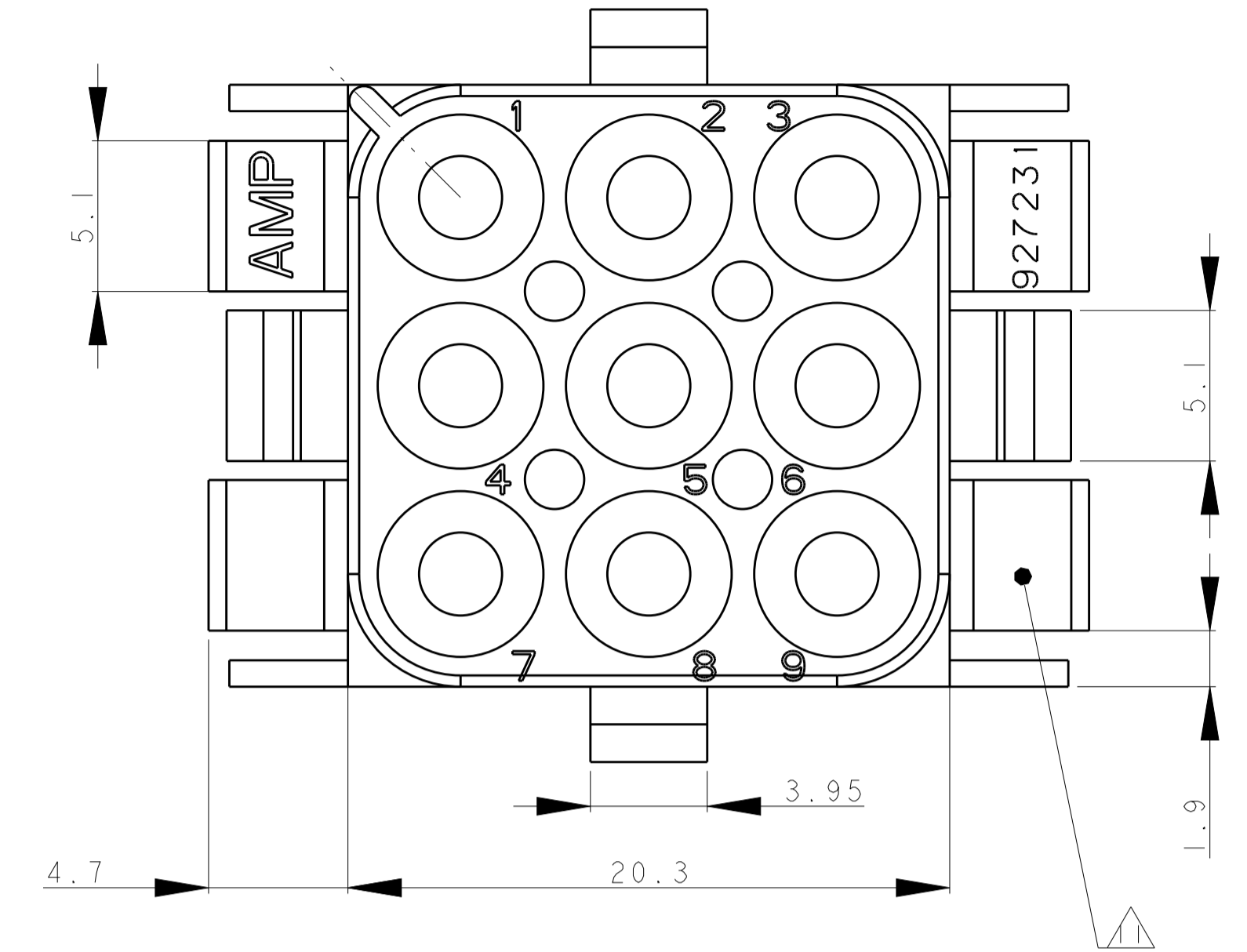
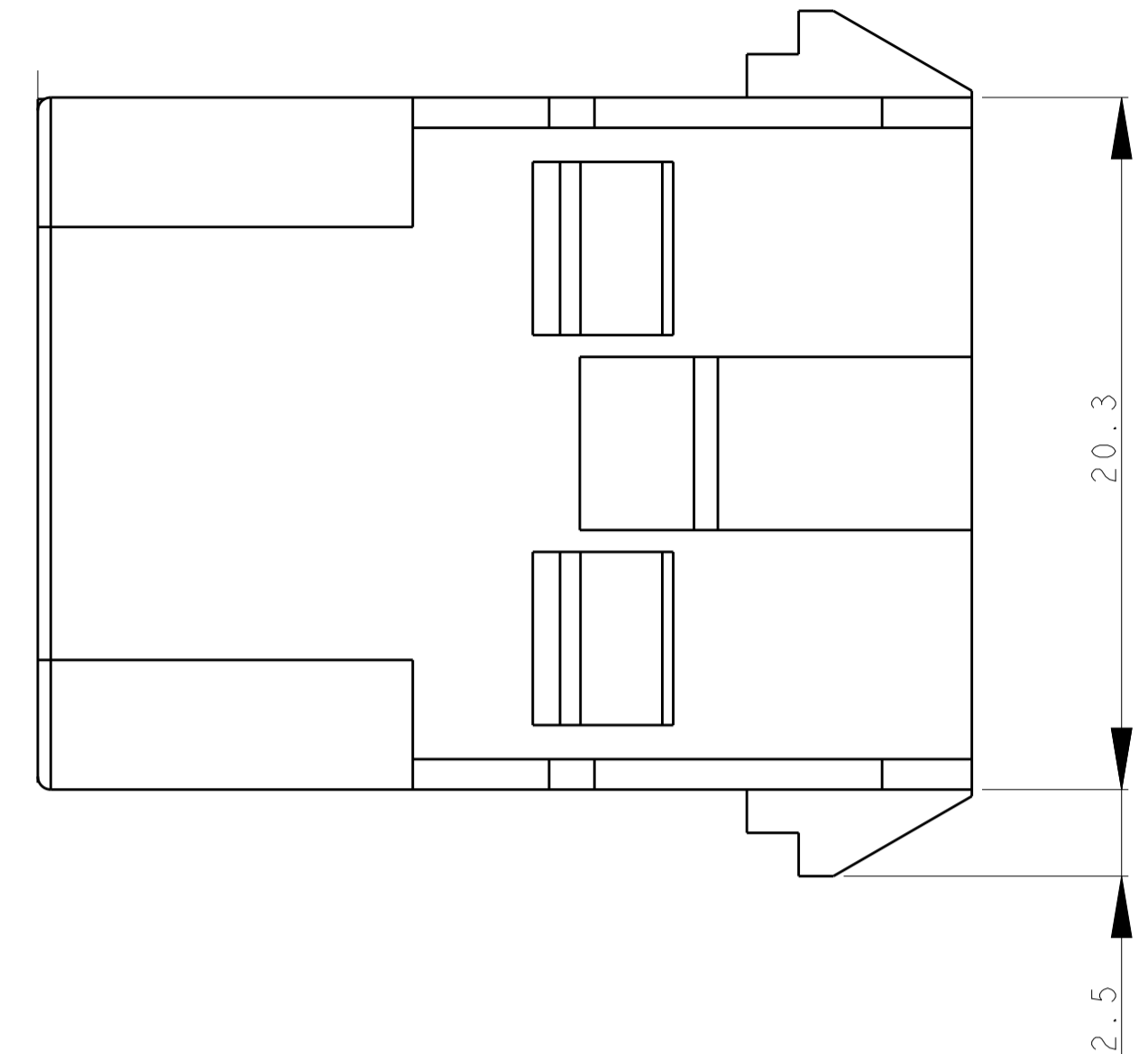
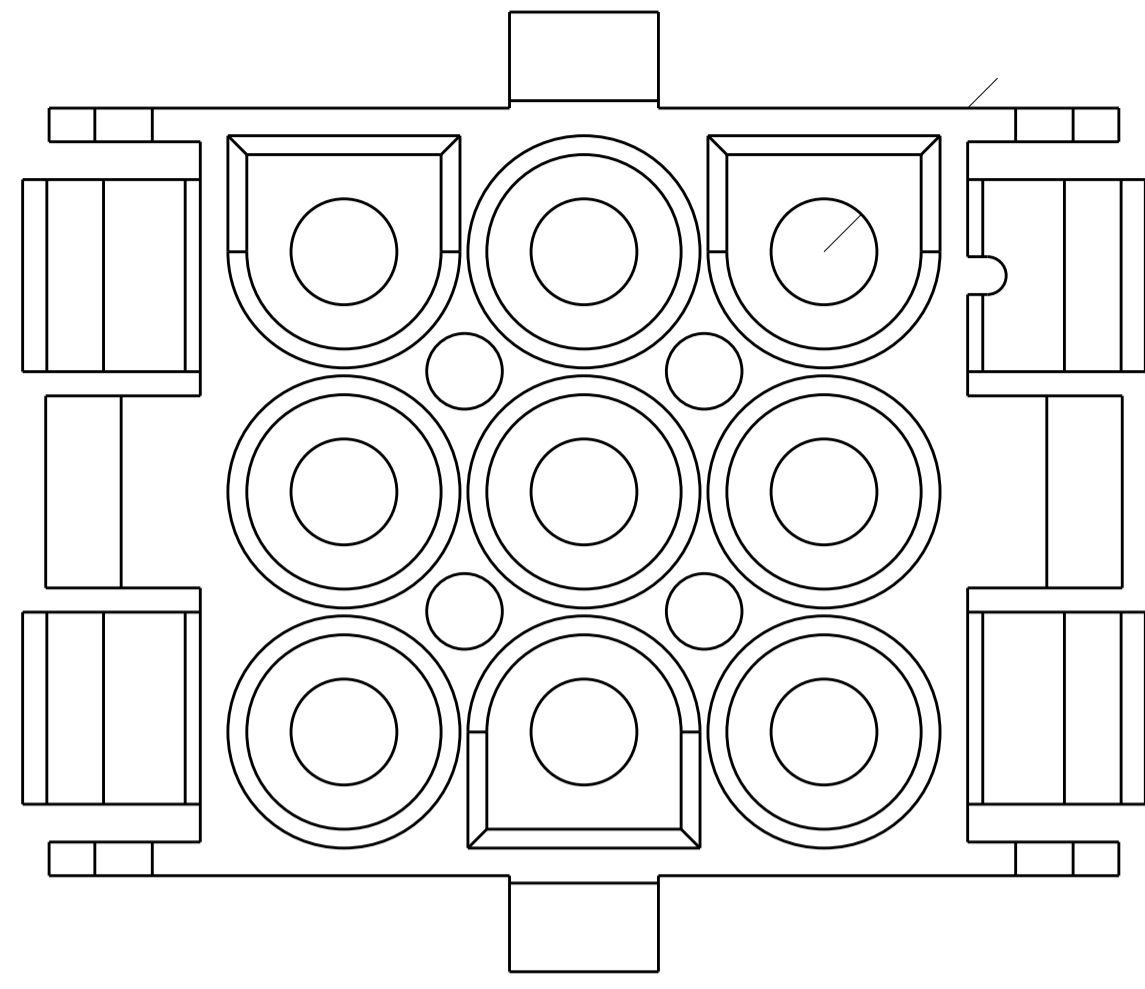
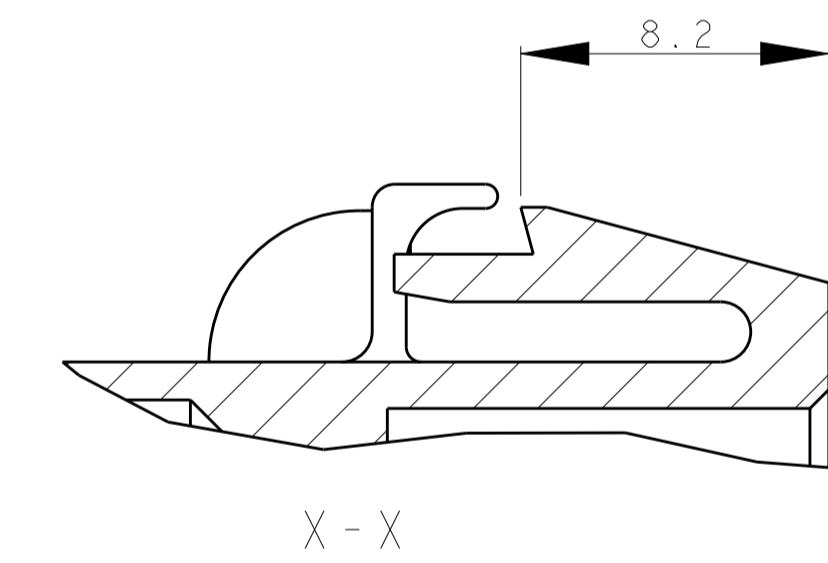
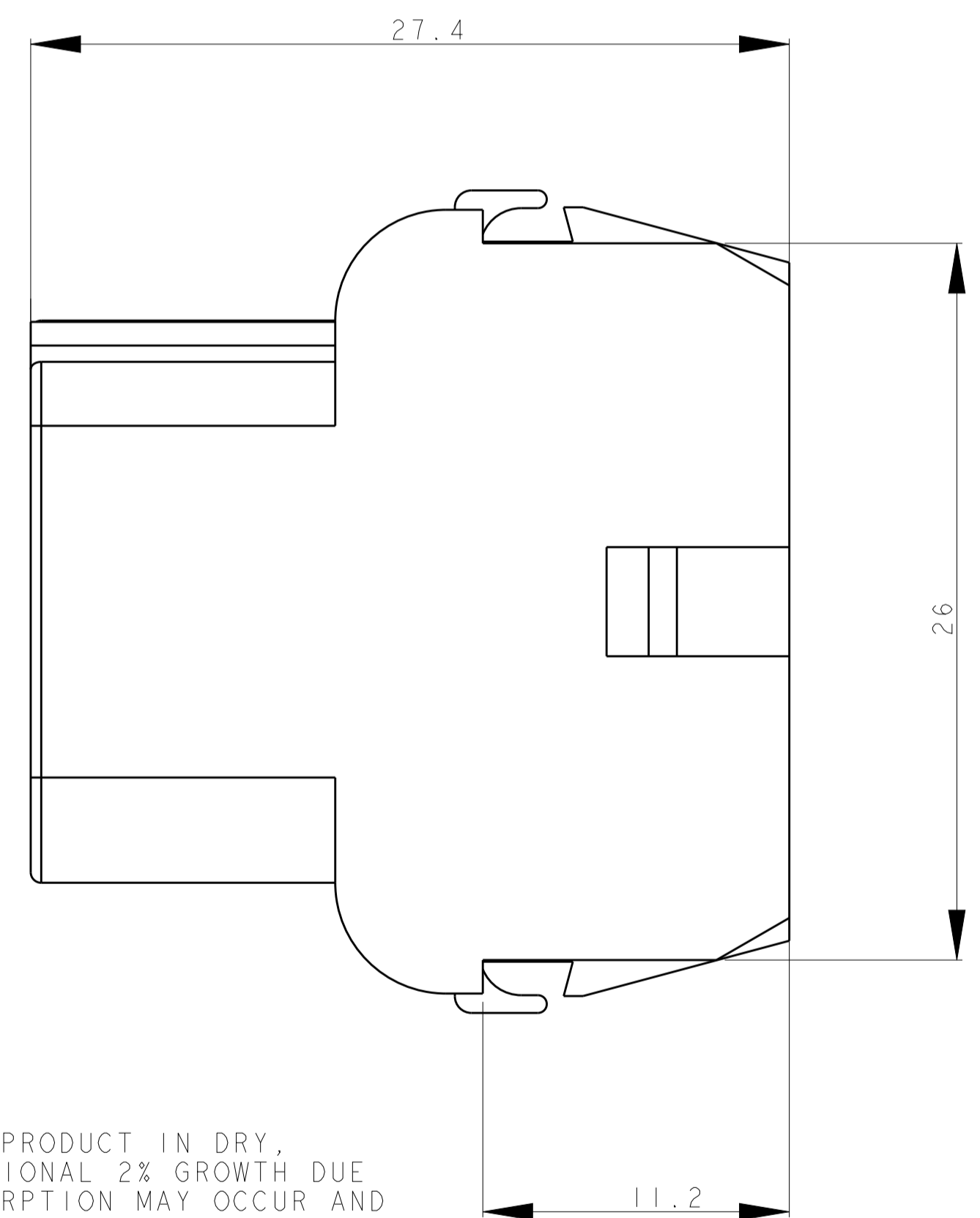
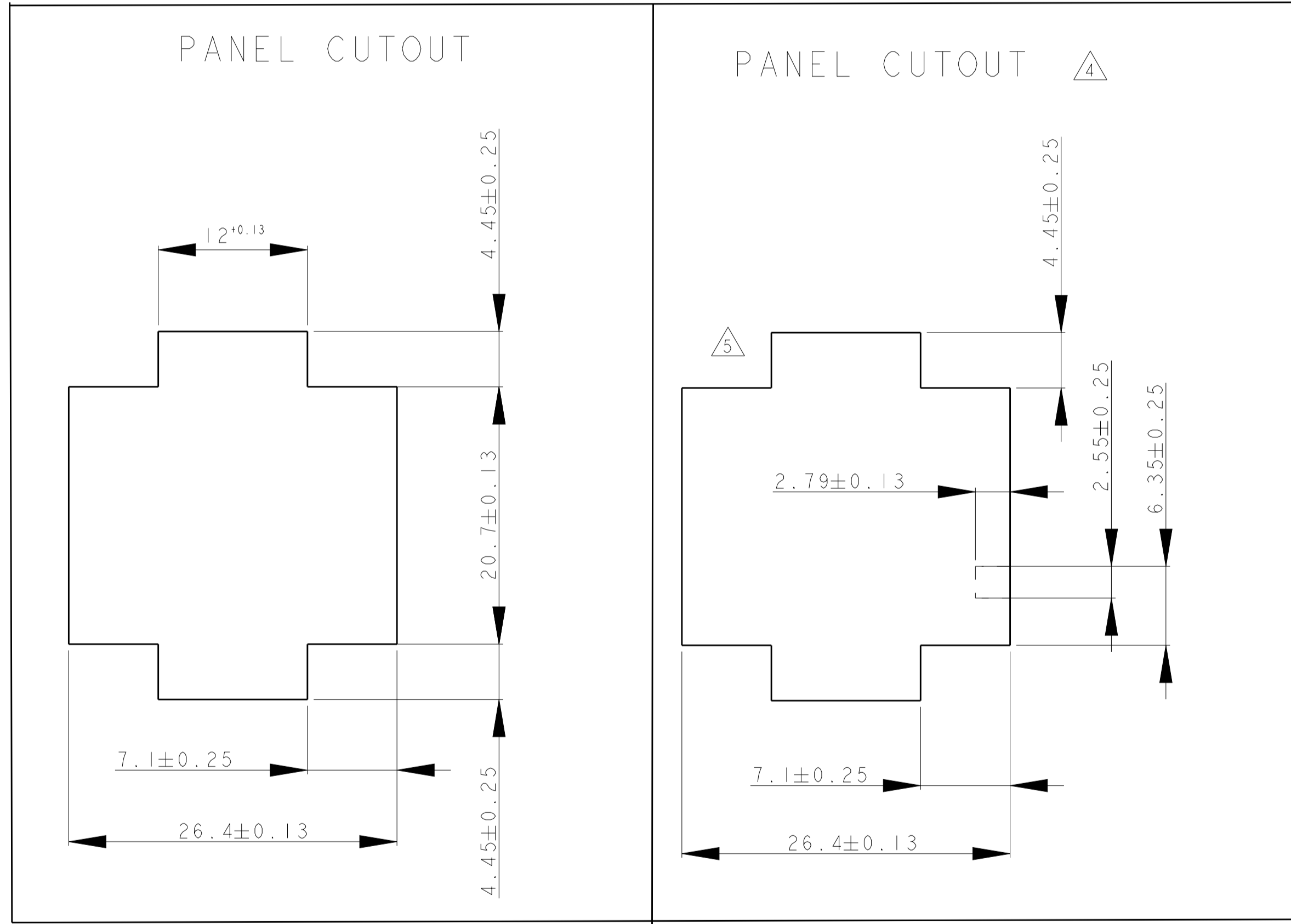


REVISIONS				
P.	LTN	DESCRIPTION	DATE	DWN APVD
	F8	REVISED PER ECR-17-014951	16OCT2017	BDA KR



PANEL CUTOUT USE FOR PUNCH CUT



- 1 SUITABLE FOR PIN AND FEMALE CONTACTS
- 2 RECOMMENDED SHEET METAL THICKNESS 0,75-2,3mm.
- 3 HOUSING MUST BE INTRODUCED IN PUNCHING DIRECTION.
- 4 FOR CODED USING OF THE HOUSINGS
- 5 POSITION OF CAVITY I FOR CODED USING
- 6 NEW MATERIAL (PHOSPOR AND HALOGENEUS FREE).
- 7 GWT 750°C(WITHOUT FLAME) ACCORDING IEC 60335-1 EDITION 06/2001
- 8 MATERIAL WITH GWFI 850°C
- 9 PRELIMINARY PRAT NOT RELEASED FOR PRODUCTION
- 10 ADD PANEL CUTOUT ONLY FOR LASER CUT PROCESS.
- 11 CSA CERTIFICATION LOGO LOCATED APPROXIMATELY AS SHOWN

12 DIMENSIONS SHOWN REPRESENT PRODUCT IN DRY, AS MOLDED, CONDITION. ADDITIONAL 2% GROWTH DUE TO SUBSEQUENT MOISTURE ABSORPTION MAY OCCUR AND SHOULD BE ACCOUNTED FOR.

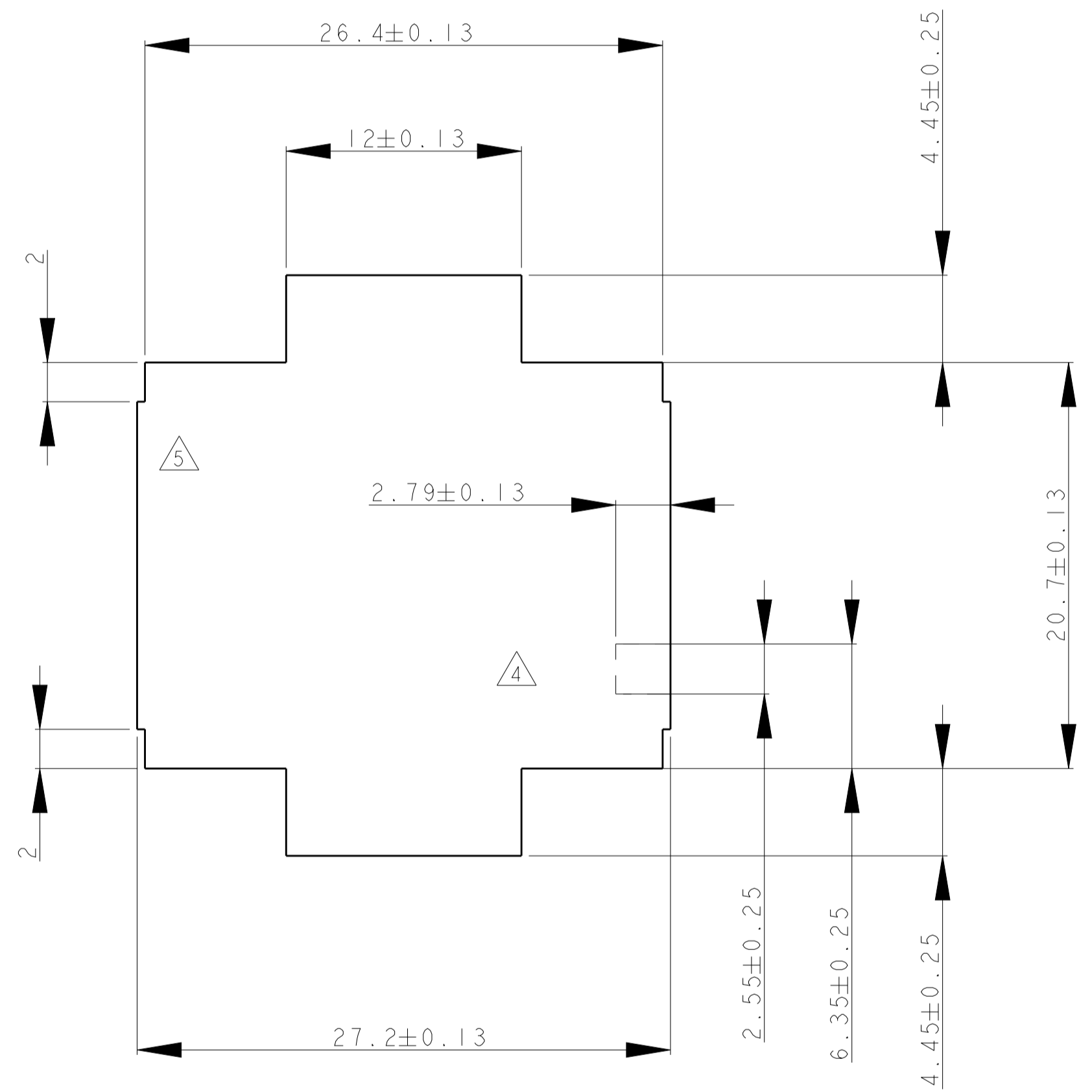
927231-7	PA66 UL-94 V0	NATURAL	7
927231-6	PA66 UL-94 V0	NATURAL	9
927231-5	PA66 UL-94 V2	NATURAL	7 8
927231-4	PA66 UL-94 V0	WHITE	
927231-3	PA66 UL-94 V0	NATURAL	6
927231-2	PA66 UL-94 V0	BLACK	
927231-1	PA66 UL-94 V0	NATURAL	
PN	MATERIAL	COLOUR	

THIS DRAWING IS A CONTROLLED DOCUMENT.		DWN	MGT	11DEC2012
DIMENSIONS:		CHK	R.P	11DEC2012
TOLERANCES UNLESS OTHERWISE SPECIFIED:		APVD	R.P	11DEC2012
mm	0 PLC ± 0.2	PRODUCT SPEC ± 0.13		
	2 PLC ± 0.2	APPLICATION SPEC		
	3 PLC ± 0.2	SIZE CAGE CODE DRAWING NO RESTRICTED TO		
	4 PLC ±	A1 C= 927231		
	ANGLES ± 1°	SCALE 5:1 SHEET 1 OF 2 REV F8		
MATERIAL	FINISH	CUSTOMER DRAWING		

THIS DRAWING IS UNPUBLISHED. RELEASED FOR PUBLICATION. COPYRIGHT copyright.d8te. ALL RIGHTS RESERVED.

REVISIONS				
P.	LTN	DESCRIPTION	DATE	APVD
-	-	SEE SHEET 1	-	-

PANEL CUTOUT ONLY USE FOR LASER CUT \triangle



THIS DRAWING IS A CONTROLLED DOCUMENT.		DWN	WGT	11DEC2012	 TE Connectivity
DIMENSIONS:		CHK	R.P	11DEC2012	
TOLERANCES UNLESS OTHERWISE SPECIFIED:		APVD	R.P	11DEC2012	
mm	0 PLC ± 0.2	NAME		UMNL 9 WAY CAP HSG	
	1 PLC ± 0.2	PRODUCT SPEC		± 0.13	
	2 PLC ± 0.2	APPLICATION SPEC		-	
	3 PLC ± 0.2	SIZE	CAGE CODE	DRAWING NO	RESTRICTED TO
	4 PLC ± 0.2	A1	927231	-	-
	ANGLES $\pm 1^\circ$	WEIGHT		-	-
MATERIAL	FINISH	CUSTOMER DRAWING		SCALE	5:1
-	-	SHEET		2	2
				REV	F8

单击下面可查看定价，库存，交付和生命周期等信息

[>>TE Connectivity\(泰科\)](#)