

THIS DRAWING IS UNPUBLISHED.

RELEASED FOR PUBLICATION

2011

© COPYRIGHT 2011

Tyco Electronics AMP GmbH

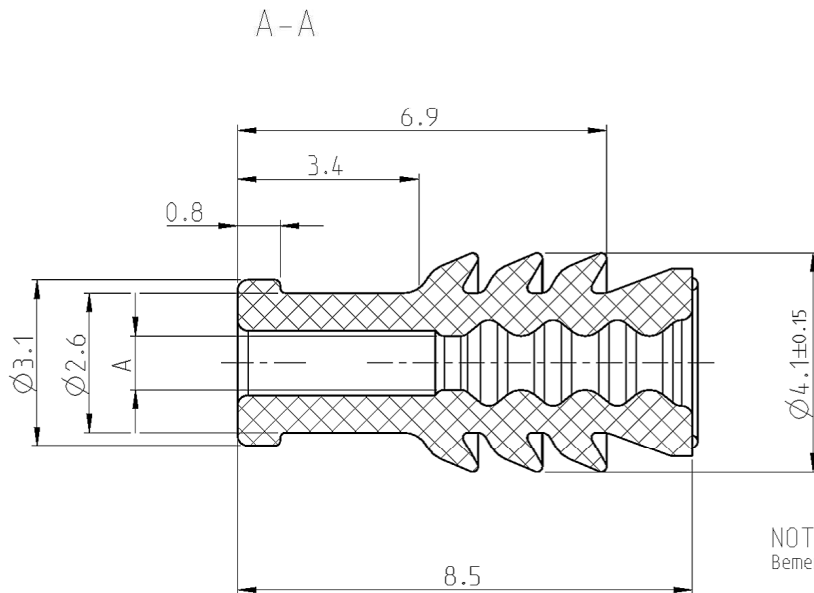
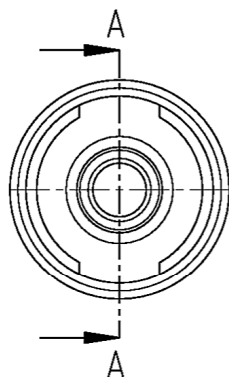
ALL RIGHTS RESERVED.

LOC
A1

DIST
-

REVISIONS

P	LTR	DESCRIPTION	DATE	DWN	APVD
A9		NEW DASH # 1-967067-1, TEMPERED	09JAN2012	Mah.	AbeLe
A10		NEW PRO E DRAWING	02FEB2012	Mah.	AbeLe



1:1



NOTES

Bemerkungen

- SUITABLE FOR SOCKET CONTACT FOR SINGLE WIRE SEAL, SEE : 929454; 929419; 1241611
Passend zu Buchsenkontakt fuer Einzeldichtung, siehe: 929454; 929419; 1241611
- SUITABLE FOR PIN CONTACT FOR SINGLE WIRE SEAL SEE 929453
Passend zu Stiftkontakt fuer Einzeldichtung siehe 929453
- SILOXAN IS MINIMIZED THROUGH TEMPERING PROCESS
SILOXAN minimiert durch Temperung

1.4 - 2.1	Ø1.0±0.15	SINGLE WIRE Einzelleitung	1-967067-1	A	GREEN/gruen	-	0-967067-1	△3
0.9 - 1.4	Ø0.6±0.15		0-967067-2	A	YELLOW /gelb	0.07	Silicone VMQ 50	-
1.4 - 2.1	Ø1.0±0.15		0-967067-1	A	GREEN/gruen	0.06		-
ISO-DIA	DIM "A"	USED ON verwendet fuer	ORDER NO Bestell Nr.	REV.	COLOR Farbe	WEIGHT Gewicht	MATERIAL	HEAT TREAT

THIS DRAWING IS A CONTROLLED DOCUMENT.

DWN S. Garcia 29JUL1999

CHK R. Jetter 28JUL1999

APVD -



TE Connectivity

DIMENSIONS:

mm



TOLERANCES UNLESS OTHERWISE SPECIFIED:

M3 DIN/775

0 PLC ±

1 PLC ±

2 PLC ±

3 PLC ±

4 PLC ±

ANGLES ±°

MATERIAL SEE TABLE

FINISH -

NAME
Micro Quadlok System
SINGLE WIRE SEAL FOR CAVITY DIA 3.45mm
Einzelleiterdichtung fuer Kammerdurchmesser 3.45mm

SIZE CAGE CODE DRAWING NO RESTRICTED TO

108-18403 A3 00779 ©=967067 -

WEIGHT SEE TABLE

CUSTOMER DRAWING

SCALE 10:1 SHEET 1 OF 1 REV A10

单击下面可查看定价，库存，交付和生命周期等信息

[>>TE Connectivity\(泰科\)](#)