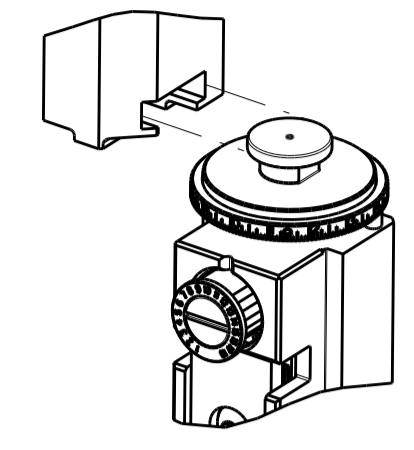


PART NUMBER	REVISION	DESCRIPTION	FEED TYPE
2836871-1	B	FINE CRIMP HEIGHT ADJUST	MECHANICAL
2836871-2	B	FINE CRIMP HEIGHT ADJUST	PNEUMATIC
3-2836871-2	B	FINE CRIMP HEIGHT ADJUST	DOUBLE ACTING PNEUMATIC WITH SENSORS
7-2836871-1	B	MECHANICAL AND CRIMP TOOLING KIT	MECHANICAL
7-2836871-2	B	PNEUMATIC AND CRIMP TOOLING KIT	PNEUMATIC
7-2836871-7	A	CRIMP TOOLING KIT	-

ATLANTIC VERSION TERMINATOR INTERFACE ADAPTER



APPLICATOR DATA		
CRIMP	SIZE	TYPE
WIRE	1.40 mm [.055]	F
INSUL	1.68 mm [.066]	F

APPLICATOR INSTRUCTIONS
408-35042

TERMINAL DATA: DELPHI PACKARD TERMINAL DELPHI CRIMP SPECIFICATION			
TERMINAL NAME: TAXI TERMINAL F OCS 1.2			
WIRE STRIP LENGTH	TERMINAL INSULATION DIAMETER RANGE		
3.90-4.70 mm [1.54-.185 IN]	Ø1.20-1.60 mm [0.047-.063 IN]		
TERMINAL APPLICATION SPECIFICATION	DELPHI Rev		
	5		
TERMINALS APPLIED			
TE TERMINAL	DELPHI PACKARD TERMINAL	TE TERMINAL	DELPHI PACKARD TERMINAL
2318346-1	33103493	2237157-1	35080799
2336845-1	35072409		

WIRE SIZE	CRIMP HEIGHT mm [INCH]	CRIMP HEIGHT REFERENCE SETTING
0.50mm2	0.90 +/- 0.05 [.035 +/- .002]	3.7
0.35mm2	0.85 +/- 0.05 [.033 +/- .002]	4.0

- 1. RECOMMENDED SPARE PARTS
- 2. REFER TO SUPPLIED INSTRUCTION SHEET FOR CLEANING, LUBRICATION AND STORAGE OF APPLICATOR.
- 3. APPLY PART NUMBER 2-23419-6 LOCTITE TO THREADS OF ITEM 242.
- 4. CRIMP HEIGHT REFERENCE SETTING WAS THE SETTING USED WHEN THE APPLICATOR WAS QUALIFIED AT THE FACTORY. ADJUSTMENT MAY BE NECESSARY WHEN RUNNING APPLICATOR IN THE FIELD.
- 5. TERMINAL LUBRICANT IS RECOMMENDED.
- 6. THIS APPLICATOR IS EQUIPPED WITH THE DOUBLE ACTING FEED WITH SENSORS AND IS APPLICATION SPECIFIC. IT DOES NOT REQUIRE ITEMS 49 & 248.
- 7. UNLESS SPECIFIED OTHERWISE TORQUE VALUES SHALL BE USED PER DOCUMENT, 101-35000.

***WARNING**
ON INSTALLATION, SET WIRE DISC TO CRIMP HEIGHT REFERENCE SETTING FOR LARGEST WIRE SIZE. CRIMP HEIGHT REFERENCE SETTINGS GREATER THAN THE VALUE SHOWN MAY CAUSE DAMAGE TO THE CRIMP TOOLING, REFER TO THE INSTRUCTION SHEET FOR PROPER SETUP AND ADJUSTMENTS.

LOC	DIST	REVISIONS			
		REV	DATE	BY	APPD
A	66	A	RELEASED	13SEP2017	TB CT
		A1	ECR-18-004769	29MAR2018	MEH JDG
		B	ECR-19-002752	20FEB2019	FJ TE
		B1	ECR-19-009881	25JUN2019	FZ TE

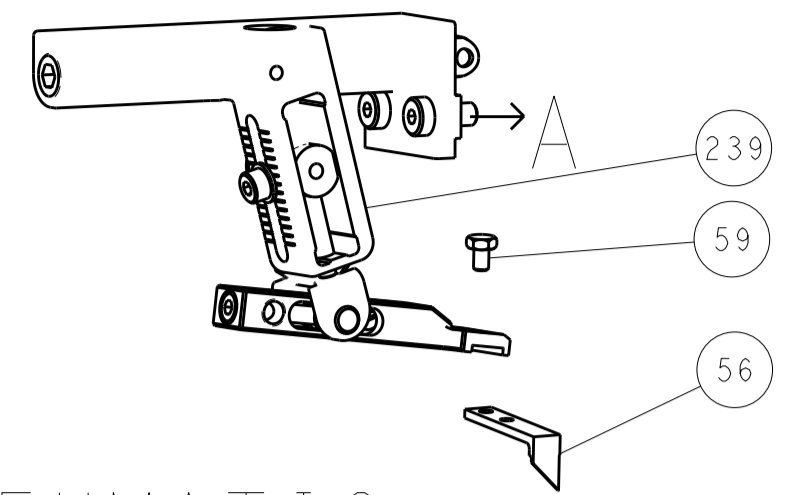
-	1	-	-	1	-	2119640-1	PUSH ROD, AIR FEED	250
-	1	-	-	1	-	1803259-1	BUSHING, FLANGED	249
-	1	-	-	1	-	2119641-1	FEED CAM, AIR FEED	248
-	1	1	1	1	1	2119082-5	CAM, SNAIL, INSULATION ADJUSTMENT	244
-	1	1	1	1	1	2079764-1	WASHER, WAVE SPRING, CREST-TO-CREST	243
-	1	1	1	1	1	2119083-1	RETAINER, INSULATION DIAL	242
-	1	1	1	1	1	7-18023-7	SCR, SKT HD CAP M3 X 4.0	241
-	1	1	-	-	1	2119580-1	MECHANICAL FEED ASSEMBLY	239
-	1	-	-	1	-	2063440-1	AIR FEED MODULE	238
-	2	-	2	2	-	21045-3	RING, RETAIN, EXTERN, 3/16 CRESCENT	172
-	REF	REF	REF	REF	REF	994970-2	COUNTER, MAGNETIC	164
-	1	-	1	1	-	240638-1	SPRING, FEED FINGER	163
-	1	-	1	1	-	3-23627-7	PIN, RETAIN, GRVD, 3/16 X .854	137
-	1	-	1	1	-	2119799-1	HOLDER, FEED FINGER, AF	136
-	1	1	1	1	1	2119955-1	ASSY, LUBRICATOR, SIDE FEED	113
-	1	1	1	1	1	2844908-1	SCREW, LOCKING	99
-	1	1	1	1	1	2844907-1	POST, LOCKING	98
-	1	1	1	1	1	455888-5	SPACER, CRIMPER	82
-	1	1	1	1	1	1803607-1	DOCUMENTATION PACKAGE	71
-	1	1	1	1	1	2119791-9	DEPRESSOR, WIRE	70
-	1	1	1	1	1	2119740-1	TAG, IDENTIFICATION	67
-	2	2	2	2	2	2168078-1	SCREW, DRIVE, RH, RoHS, 2 x .188	66
-	1	1	1	1	1	2168083-2	SCR, SKT HD CAP, RoHS, M4 X 8.0	60
-	1	1	1	1	1	5-18022-5	SCR, HEX HD CAP, M4 X 6.0	59
-	1	1	1	1	1	1338685-1	PAWL, FEED	56
-	4	4	4	4	4	2168083-3	SCR, SKT HD CAP, RoHS, M4 X 12.0	54
-	2	2	2	2	2	2-2168083-5	SCR, SKT HD CAP, RoHS, M4 X 14	53
-	1	1	1	1	1	5018030-1	NUT, HEX, REG, RoHS, M3	52
-	1	1	1	1	1	811242-5	BUMPER, HOLD DOWN	51
-	1	1	1	1	1	690753-2	SPACER, TONKER	50
-	1	2	-	1	2	18023-9	SCR, SKT HD CAP M4 X 6.0	49
-	-	1	-	-	1	2119652-1	FEED CAM, PRE FEED	48
-	-	1	-	-	1	2119653-1	FEED CAM, POST FEED	47
-	1	1	1	1	1	1803583-9	APPLICATOR BASIC ASSEMBLY, SF	46
-	1	1	1	1	1	1803515-1	RAM ASSEMBLY, SF ATLANTIC	44
-	1	1	1	1	1	1803602-1	SCR, BHSC, RoHS (M8 X 25)	41
-	1	1	1	1	1	1752356-6	SUPPORT, TERMINAL	34
-	2	2	2	2	2	2079383-5	SCR, BHSC, RoHS (M4 X 20)	33
-	2	2	2	2	2	2-2844962-4	SPACER, CYLINDRICAL, STRIP GUIDE	30
-	1	1	1	1	1	2844992-2	ASSEMBLY, STRIP GUIDE	29
-	1	1	1	1	1	1320928-2	STRIP GUIDE	24
-	1	1	1	1	1	2168083-2	SCR, SKT HD CAP, RoHS, M4 X 8.0	21
-	2	2	2	2	2	1-18028-2	WASHER, FLAT, REG M4	20
-	1	1	1	1	1	2119533-1	STRIPPER, SIDE FEED	19
-	1	1	1	1	1	2119806-1	INSERT, SHEAR	13
-	1	1	1	1	1	3-22280-3	SPRING, COMPRESSION	12
-	1	1	1	1	1	1-356885-4	STOP, SHEAR	11
-	1	1	1	1	1	2119805-1	SHEAR HOLDER, FRONT	10
-	1	1	1	1	1	1803095-6	FLOATING SHEAR, FRONT	9
-	1	2	2	1	1	6-1633917-5	ANVIL, COMBINATION	8
-	1	1	1	1	1	240641-5	SPACER	7
-	-	-	-	-	-	-	-	6
-	1	1	1	1	1	2119757-4	DEPRESSOR, SHEAR	5
-	1	1	1	1	1	238011-4	BLOCK, CRIMPER SPACER	4
-	1	2	2	1	1	8-1633961-4	CRIMPER, INSULATION F PREMIUM	3
-	1	1	1	1	1	455888-7	SPACER, CRIMPER	2
-	1	2	2	1	1	456402-6	CRIMPER, WIRE PREMIUM	1

ATLANTIC VERSION
Shown on sheets 1 of 4 & 2 of 4
(Pacific version shown on sheets 3 of 4 & 4 of 4)

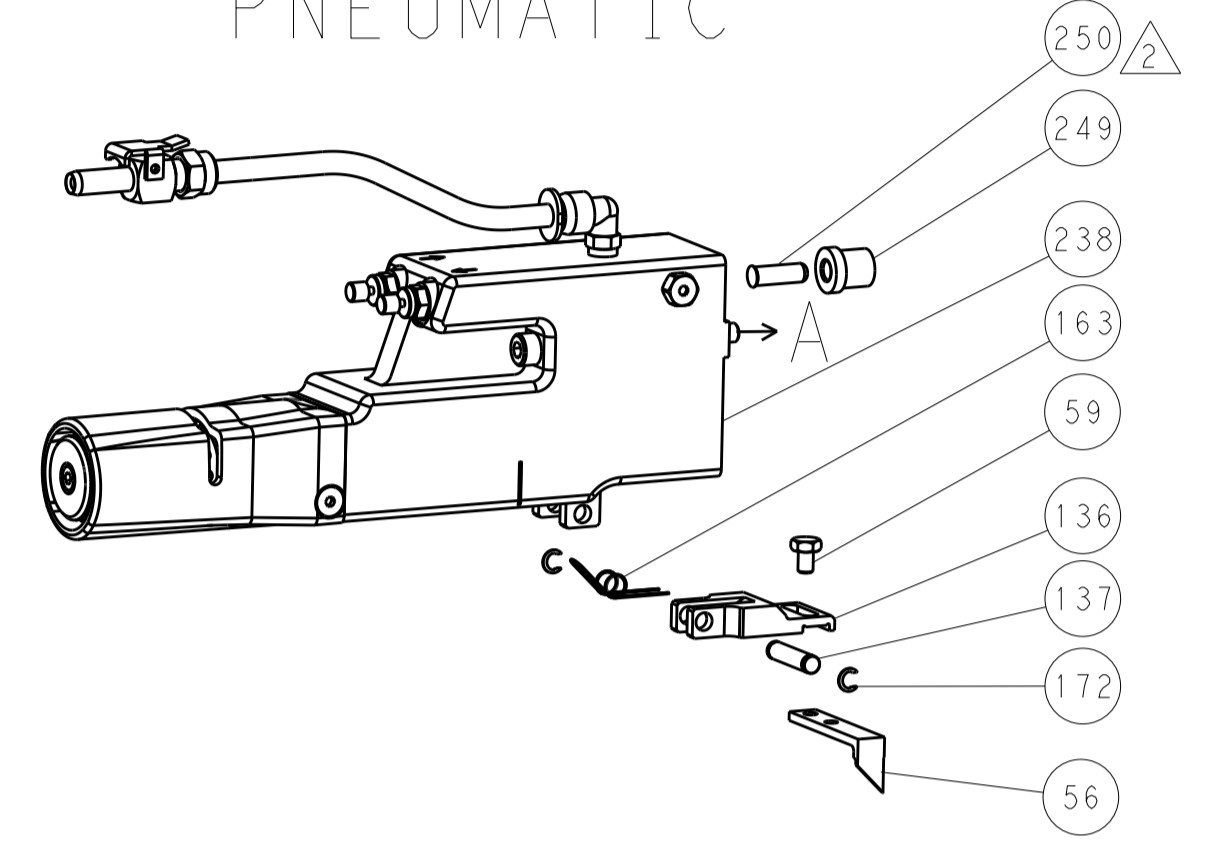
DIMENSIONS:		TOLERANCES UNLESS OTHERWISE SPECIFIED:		MATERIAL:		FINISH:		WEIGHT:		SCALE:	
mm	0 PLC ±	1 PLC ±	2 PLC ±	3 PLC ±	4 PLC ±	ANGLES	FINISH	Customer Accessible Production Drawing	SCALE	1:2	SHEET 1 OF 4

LOC	DIST	REV	DATE	BY	APPV
A	66				

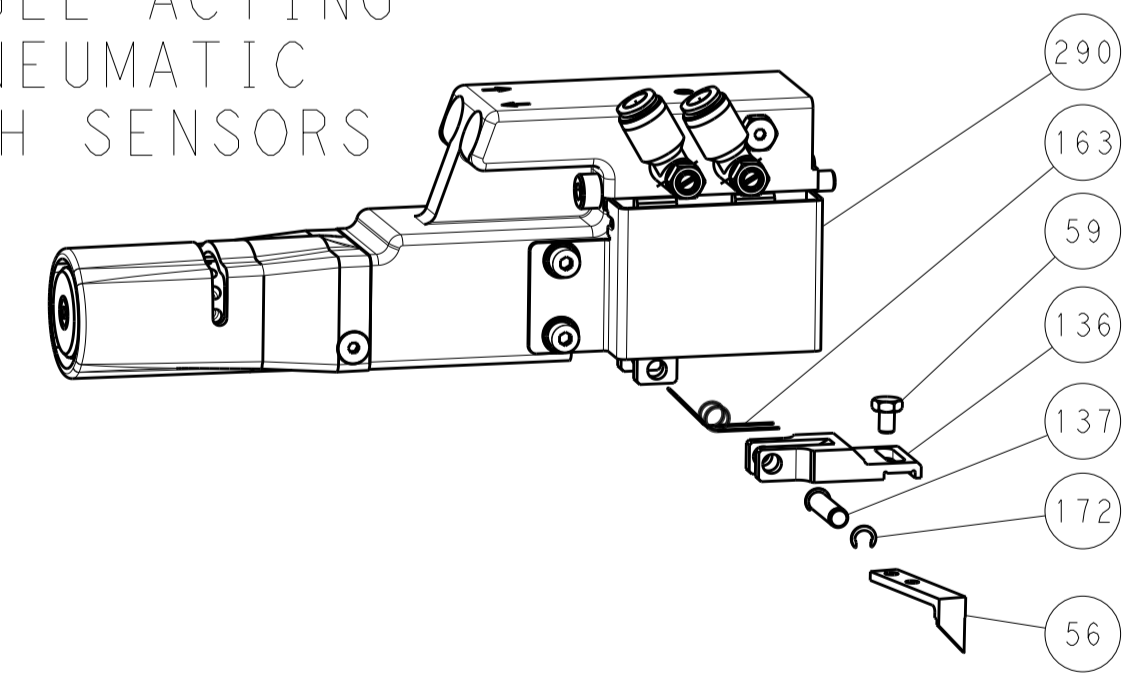
FEED TYPE MECHANICAL



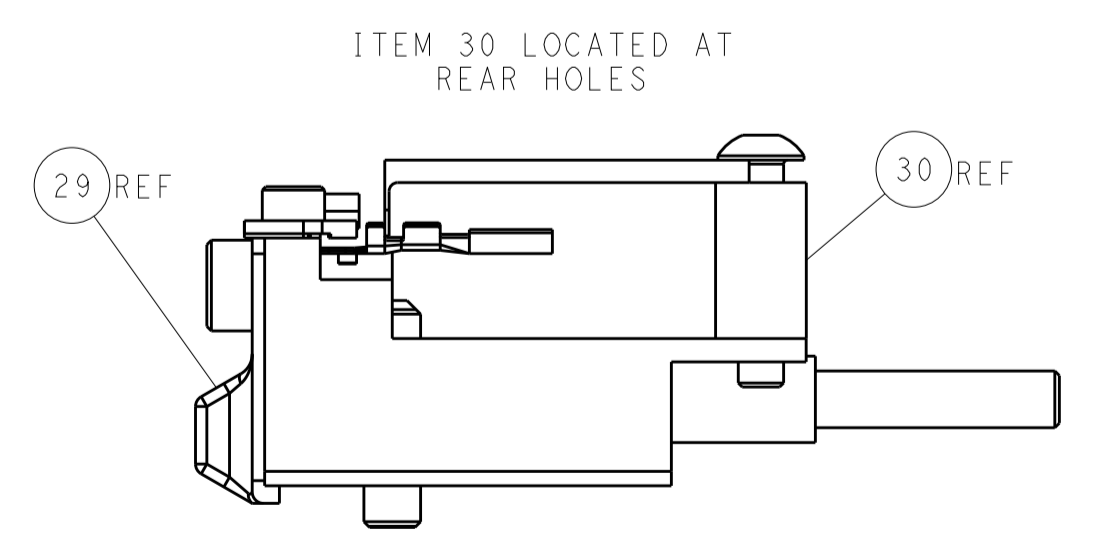
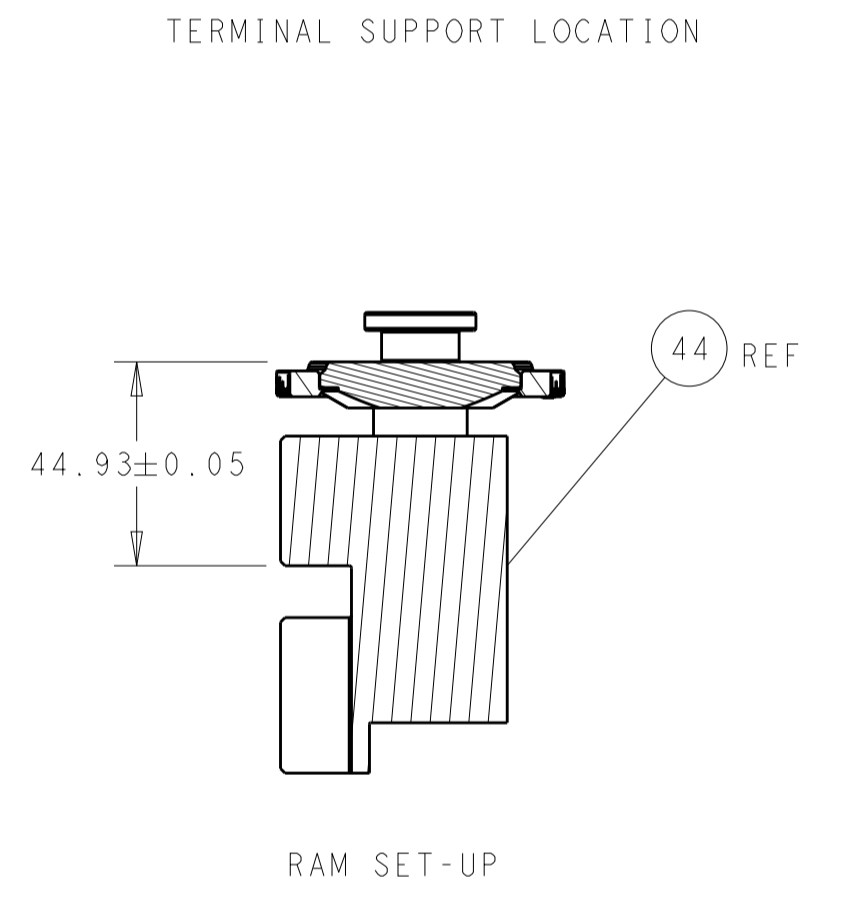
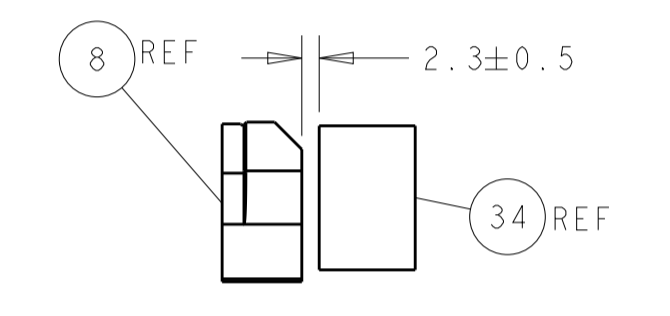
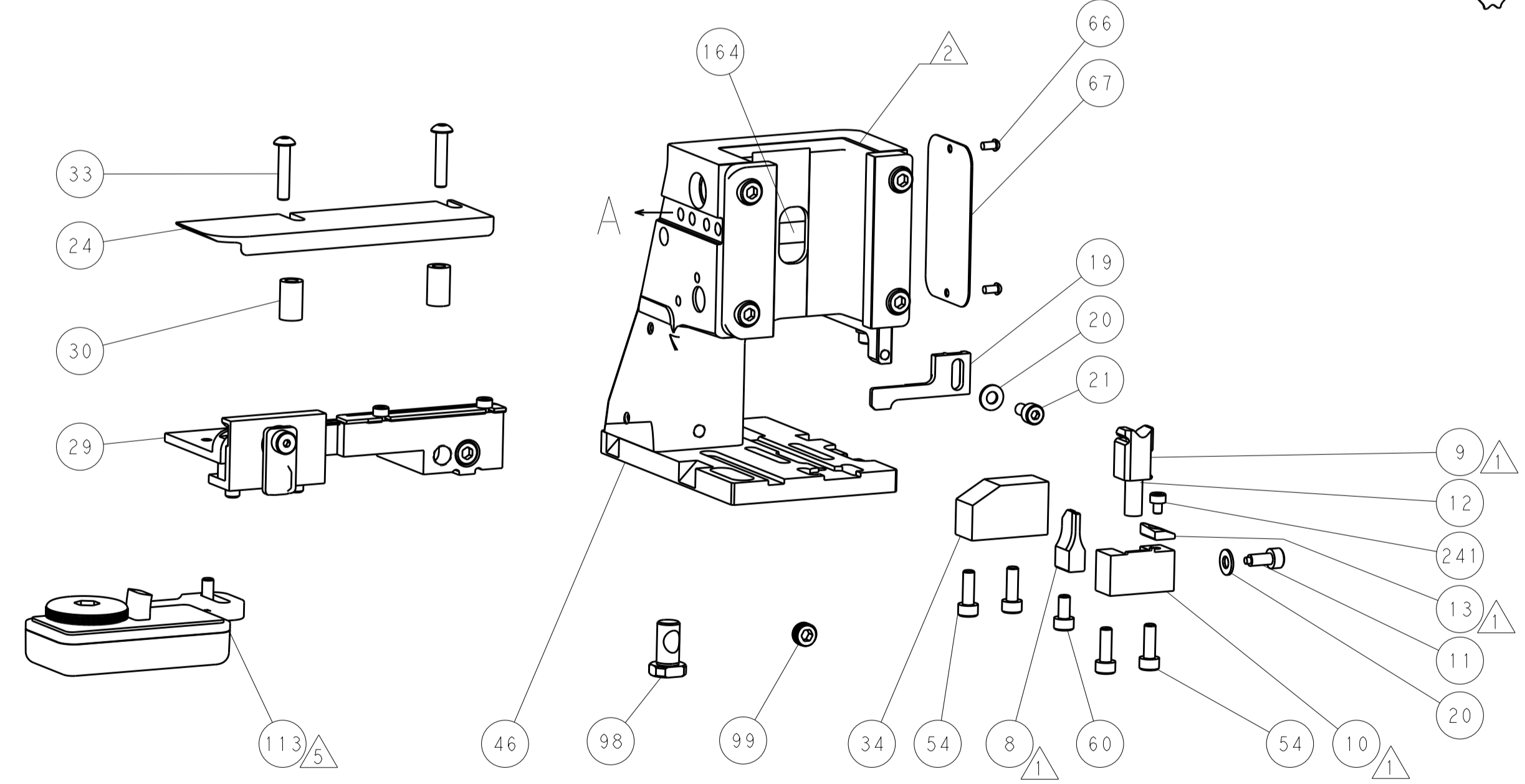
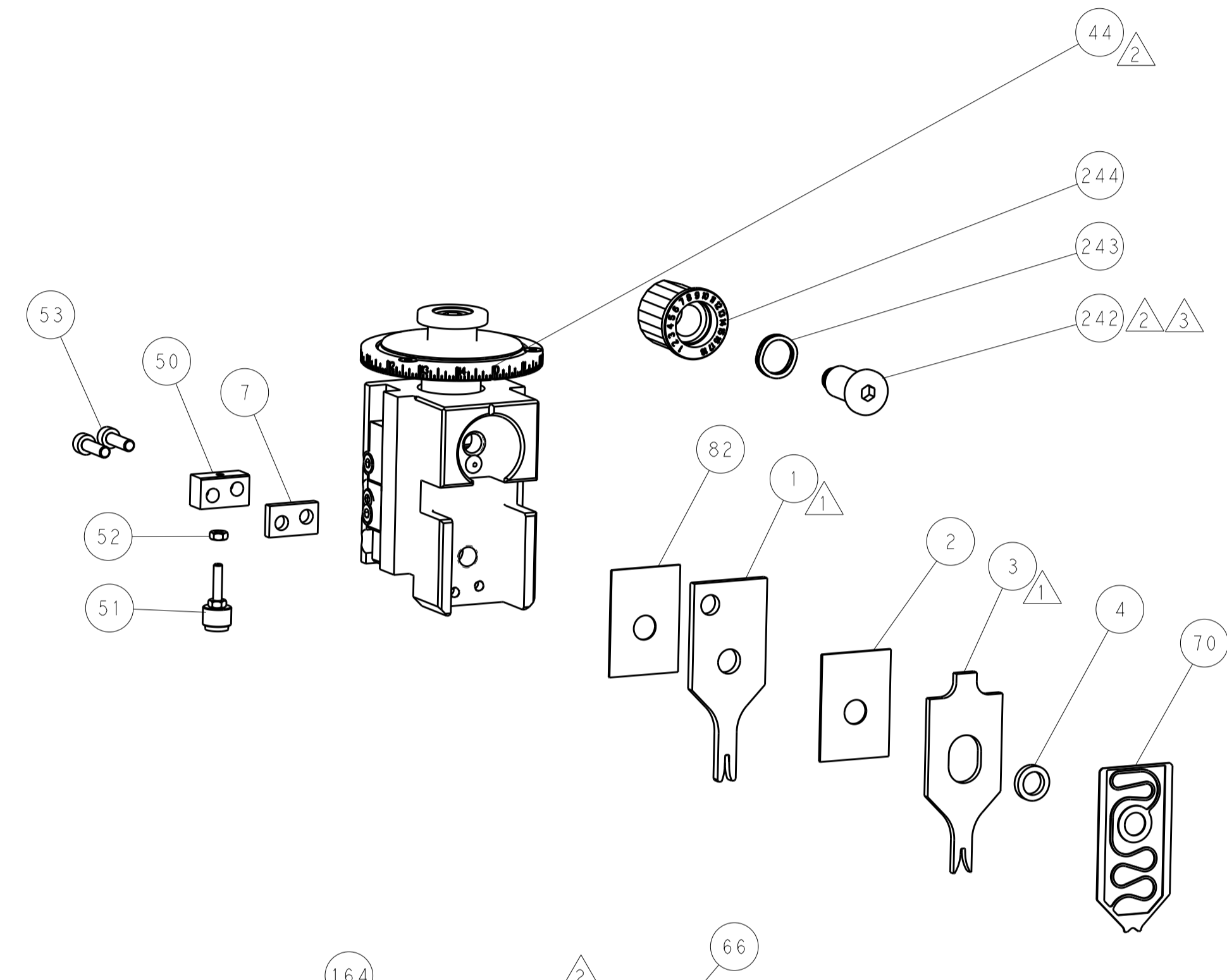
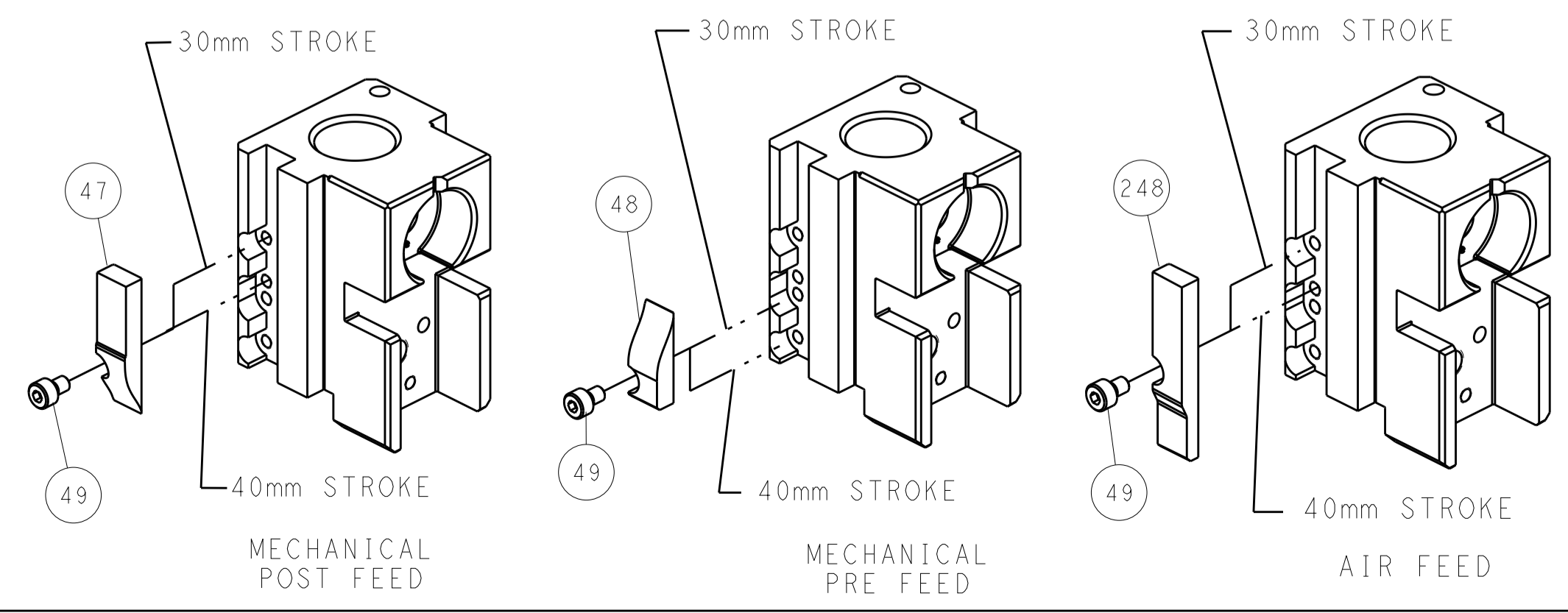
PNEUMATIC



DOUBLE ACTING PNEUMATIC WITH SENSORS



CAM POSITIONS



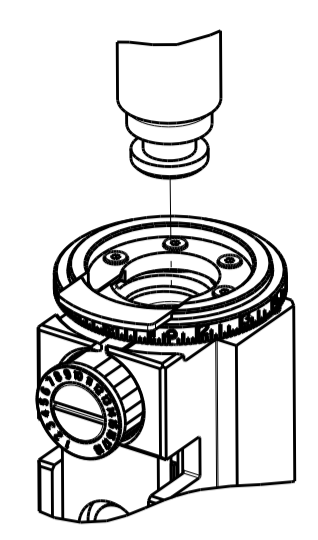
FEED TRACK POSITION GUIDE BY INSULATION BARREL

ATLANTIC VERSION
 Shown on sheets 1 of 4 & 2 of 4
 (Pacific version shown on sheets 3 of 4 & 4 of 4)

DIMENSIONS:		TOLERANCES UNLESS OTHERWISE SPECIFIED:		DWG: F. ZHANG 22AUG2017		TE Connectivity	
mm	0 PLC ±	1 PLC ±	2 PLC ±	3 PLC ±	4 PLC ±	Harrisburg, PA 17105-3608	
MATERIAL:		FINISH:		CHK: K. ZHANG 22AUG2017		NAME: Ocean Side Feed Applicator	
				APVD: K. ZHANG 22AUG2017		SIZE: CAGE CODE: DRAWING NO: A1 00779 ©=2836871	
				PRODUCT SPEC:		RESTRICTED TO:	
				APPLICATION SPEC:		Customer Accessible Production Drawing	
				WEIGHT:		SCALE: 1:2 SHEET 2 OF 4 REV: B1	

PART NUMBER	REVISION	DESCRIPTION	FEED TYPE
2-2836871-1	B	FINE CRIMP HEIGHT ADJUST	MECHANICAL
2-2836871-2	B	FINE CRIMP HEIGHT ADJUST	PNEUMATIC
4-2836871-2	B	FINE CRIMP HEIGHT ADJUST	DOUBLE ACTING PNEUMATIC WITH SENSORS
7-2836871-7	A	CRIMP TOOLING KIT	-

PACIFIC VERSION TERMINATOR INTERFACE ADAPTER



APPLICATOR DATA		
CRIMP	SIZE	TYPE
WIRE	1.40 mm [.055]	F
INSUL	1.68 mm [.066]	F

APPLICATOR INSTRUCTIONS
408-35042

TERMINAL DATA: DELPHI PACKARD TERMINAL DELPHI CRIMP SPECIFICATION

TERMINAL NAME: TAXI TERMINAL F OCS 1.2

WIRE STRIP LENGTH 3.90-4.70 mm [1.54-.185 IN]	TERMINAL INSULATION DIAMETER RANGE Ø1.20-1.60 mm [0.47-.063 IN]
--------------------------------------------------	--------------------------------------------------------------------

TERMINAL APPLICATION SPECIFICATION DELPHI Rev 5

TE TERMINAL	DELPHI PACKARD TERMINAL	TE TERMINAL	DELPHI PACKARD TERMINAL
2318346-1	33103493	2237157-1	35080799
2336845-1	35072409		

WIRE SIZE	CRIMP HEIGHT mm [INCH]	CRIMP HEIGHT REFERENCE SETTING
0.50mm ²	0.90 +/- 0.05 [0.035 +/- .002]	3.7
0.35mm ²	0.85 +/- 0.05 [0.033 +/- .002]	4.0

- 1 RECOMMENDED SPARE PARTS
 - 2 REFER TO SUPPLIED INSTRUCTION SHEET FOR CLEANING, LUBRICATION AND STORAGE OF APPLICATOR.
 - 3 APPLY PART NUMBER 2-23419-6 LOCTITE TO THREADS OF ITEM 242.
 - 4 CRIMP HEIGHT REFERENCE SETTING WAS THE SETTING USED WHEN THE APPLICATOR WAS QUALIFIED AT THE FACTORY. ADJUSTMENT MAY BE NECESSARY WHEN RUNNING APPLICATOR IN THE FIELD.
 - 5 TERMINAL LUBRICANT IS RECOMMENDED.
 - 6 THIS APPLICATOR IS EQUIPPED WITH THE DOUBLE ACTING FEED WITH SENSORS AND IS APPLICATION SPECIFIC. IT DOES NOT REQUIRE ITEMS 49 & 248.
7. UNLESS SPECIFIED OTHERWISE TORQUE VALUES SHALL BE USED PER DOCUMENT, 101-35000.

***WARNING**
 ON INSTALLATION, SET WIRE DISC TO CRIMP HEIGHT REFERENCE SETTING FOR LARGEST WIRE SIZE. CRIMP HEIGHT REFERENCE SETTINGS GREATER THAN THE VALUE SHOWN MAY CAUSE DAMAGE TO THE CRIMP TOOLING. REFER TO THE INSTRUCTION SHEET FOR PROPER SETUP AND ADJUSTMENTS.

LOC	DIST	REV	DATE	BY	APPV
A	66				

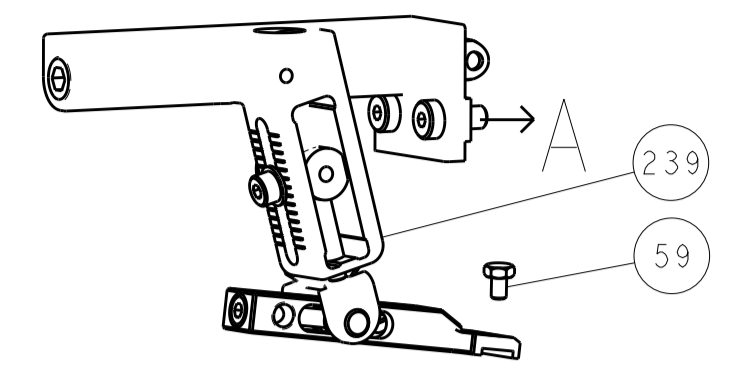
REV	DATE	BY	APPV	DESCRIPTION	ITEM NO	
-	-	1	-	2119640-1	PUSH ROD, AIR FEED	250
-	-	1	-	1803259-1	BUSHING, FLANGED	249
-	1	1	1	2119082-5	CAM, SNAIL, INSULATION ADJUSTMENT	244
-	1	1	1	2079764-1	WASHER, WAVE SPRING, CREST-TO-CREST	243
-	1	1	1	2119083-1	RETAINER, INSULATION DIAL	242
-	1	1	1	7-18023-7	SCR, SKT HD CAP M3 X 4.0	241
-	-	-	1	2119580-1	MECHANICAL FEED ASSEMBLY	239
-	-	1	-	2063440-1	AIR FEED MODULE	238
-	2	2	-	21045-3	RING, RETAIN, EXTERN, 3/16 CRESCENT	172
-	REF	REF	REF	994970-2	COUNTER, MAGNETIC	164
-	1	1	-	240638-1	SPRING, FEED FINGER	163
-	-	1	-	2119641-2	FEED CAM, AIR FEED	151
-	1	1	1	2168083-8	SCR, SKT HD CAP, RoHS, M4 X 16	144
-	4	4	4	2168083-9	SCR, SKT HD CAP, RoHS, M4 X 20	143
-	-	-	1	2119653-2	FEED CAM, POST FEED	142
-	1	1	1	1-1803583-0	APPLICATOR BASIC ASSEMBLY, SF	141
-	1	1	1	1803516-1	RAM ASSEMBLY, SF PACIFIC	140
-	1	1	-	3-23627-7	PIN, RETAIN, GRVD, 3/16 X .854	137
-	1	1	-	2119799-1	HOLDER, FEED FINGER, AF	136
-	1	1	1	2119955-1	ASSY, LUBRICATOR, SIDE FEED	113
-	1	1	1	2844908-1	SCREW, LOCKING	99
-	1	1	1	2844907-1	POST, LOCKING	98
-	1	1	1	455888-5	SPACER, CRIMPER	82
-	1	1	1	1803607-1	DOCUMENTATION PACKAGE	71
-	1	1	1	2119791-9	DEPRESSOR, WIRE	70
-	1	1	1	2119740-1	TAG, IDENTIFICATION	67
-	2	2	2	2168078-1	SCREW, DRIVE, RH, RoHS, 2 x .188	66
-	1	1	1	5-18022-5	SCR, HEX HD CAP, M4 X 6.0	59
-	1	1	1	1338685-1	PAWL, FEED	56
-	2	2	2	2-2168083-5	SCR, SKT HD CAP, RoHS, M4 X 14	53
-	1	1	1	5018030-1	NUT, HEX, REG, RoHS, M3	52
-	1	1	1	811242-5	BUMPER, HOLD DOWN	51
-	1	1	1	690753-2	SPACER, TONKER	50
-	-	1	2	18023-9	SCR, SKT HD CAP M4 X 6.0	49
-	-	-	1	2119652-1	FEED CAM, PRE FEED	48
-	1	1	1	1803602-1	SCR, BHSC, RoHS (M8 X 25)	41
-	1	1	1	1752356-6	SUPPORT, TERMINAL	34
-	2	2	2	2079383-5	SCR, BHSC, RoHS (M4 X 20)	33
-	2	2	2	2-2844962-4	SPACER, CYLINDRICAL, STRIP GUIDE	30
-	1	1	1	2844992-2	ASSEMBLY, STRIP GUIDE	29
-	1	1	1	1320928-2	STRIP GUIDE	24
-	1	1	1	2168083-2	SCR, SKT HD CAP, RoHS, M4 X 8.0	21
-	2	2	2	1-18028-2	WASHER, FLAT, REG M4	20
-	1	1	1	2119533-1	STRIPPER, SIDE FEED	19
-	1	1	1	2119806-1	INSERT, SHEAR	13
-	1	1	1	3-22280-3	SPRING, COMPRESSION	12
-	1	1	1	1-356885-4	STOP, SHEAR	11
-	1	1	1	2119805-1	SHEAR HOLDER, FRONT	10
-	1	1	1	1803095-6	FLOATING SHEAR, FRONT	9
-	1	1	1	6-1633917-5	ANVIL, COMBINATION	8
-	1	1	1	240641-5	SPACER	7
-	-	-	-	-	-	6
-	1	1	1	2119757-4	DEPRESSOR, SHEAR	5
-	1	1	1	238011-4	BLOCK, CRIMPER SPACER	4
-	1	1	1	8-1633961-4	CRIMPER, INSULATION F PREMIUM	3
-	1	1	1	455888-7	SPACER, CRIMPER	2
-	1	1	1	456402-6	CRIMPER, WIRE PREMIUM	1
-77	-42	-22	-21	PART NO	DESCRIPTION	ITEM NO

PACIFIC VERSION
 Shown on sheets 3 of 4 & 4 of 4
 (Atlantic version shown on sheets 1 of 4 & 2 of 4)

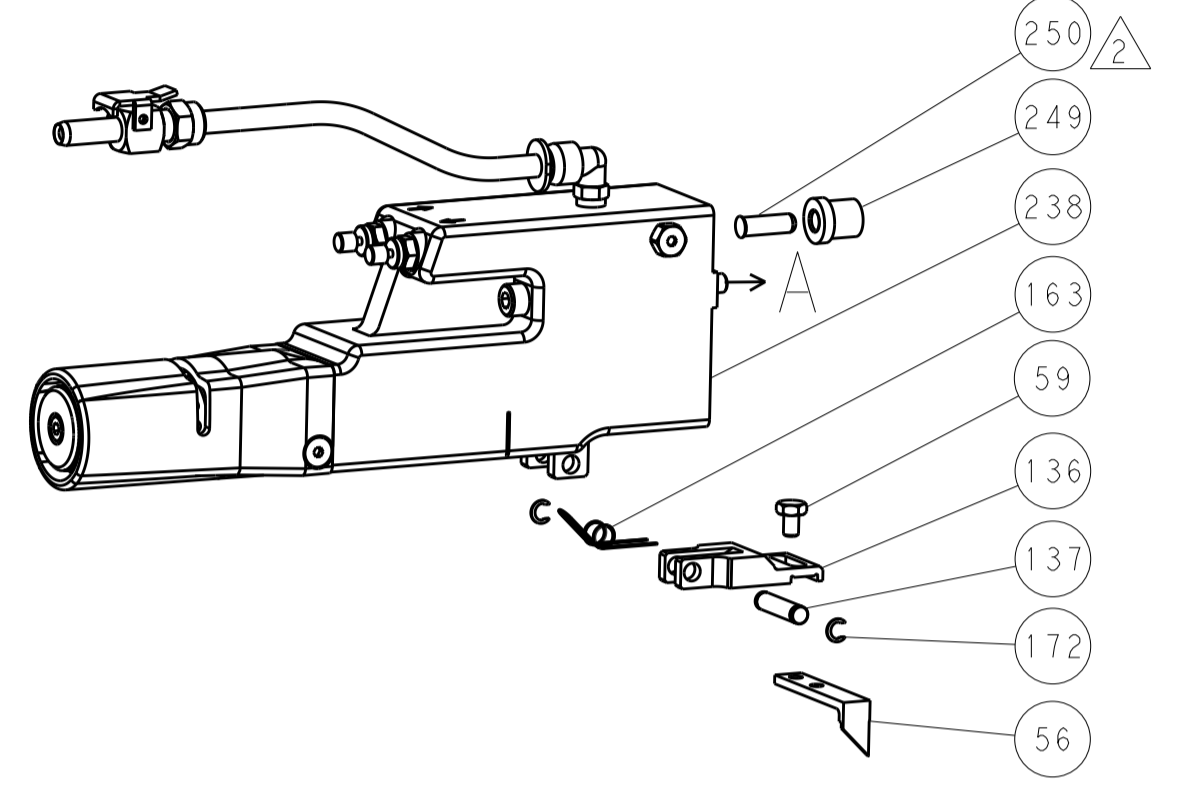
DIMENSIONS: mm		TOLERANCES UNLESS OTHERWISE SPECIFIED:		DWG: F. ZHANG 22AUG2017		CHK: K. ZHANG 22AUG2017		APVD: K. ZHANG 22AUG2017		NAME: Ocean Side Feed Applicator	
0 PLC ±		1 PLC ±		2 PLC ±		3 PLC ±		4 PLC ±		SIZE: A1	
ANGLES		FINISH		WEIGHT		SCALE: 1:2		SHEET: 3 OF 4		REV: B1	

LOC		DIST		REVISIONS			
A	66	P	LTM	DESCRIPTION	DATE	DMN	APVD
		-		SEE SHEET 1			

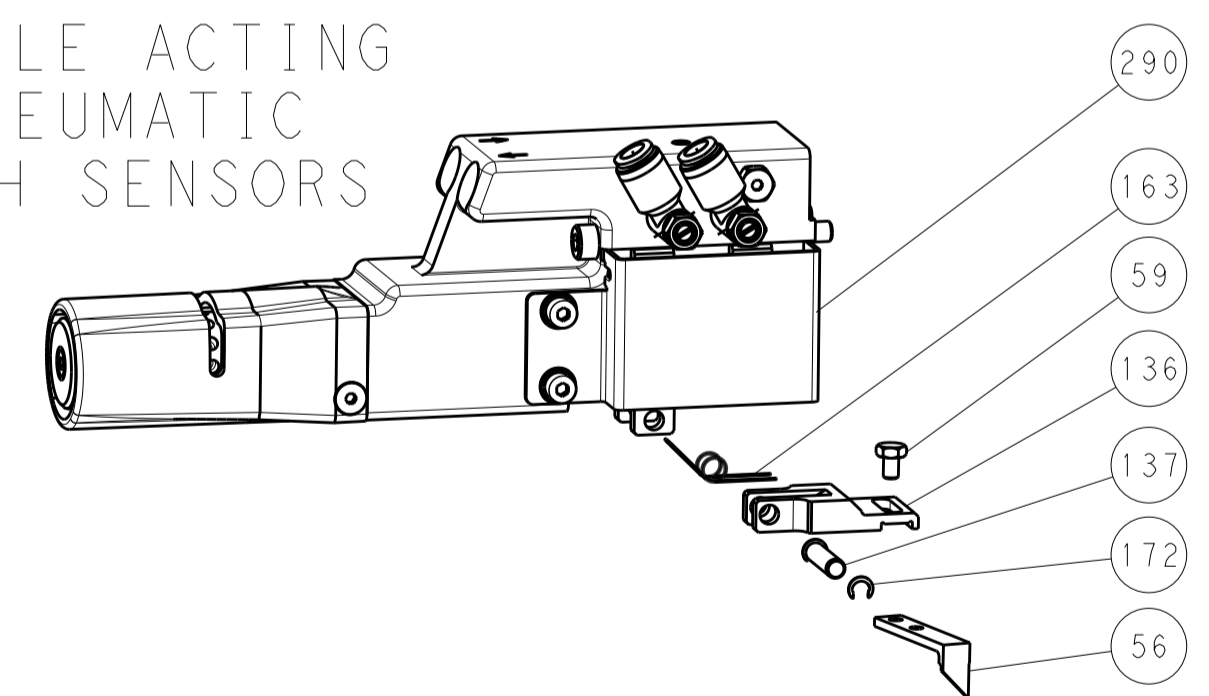
FEED TYPE MECHANICAL



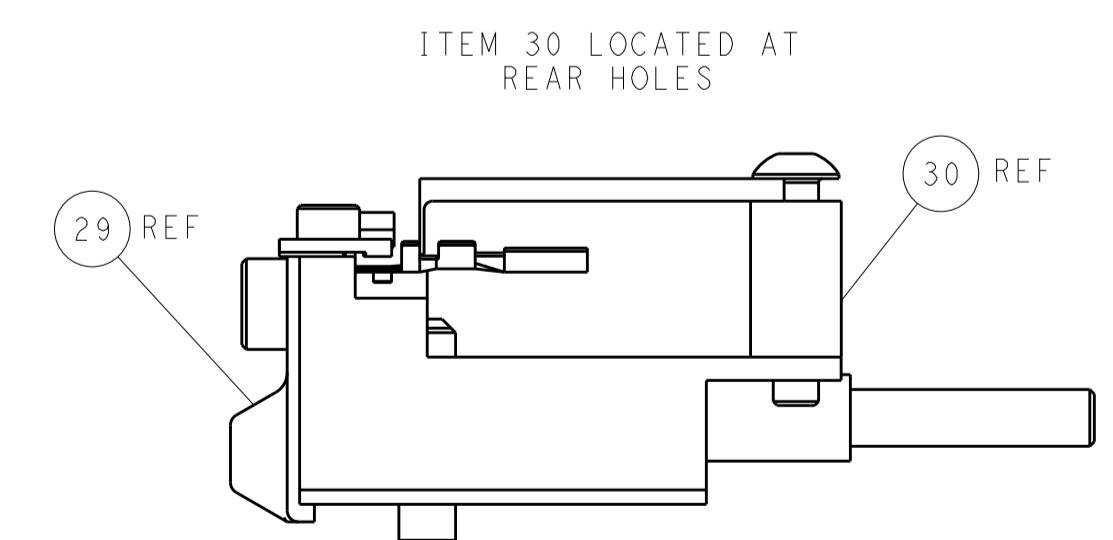
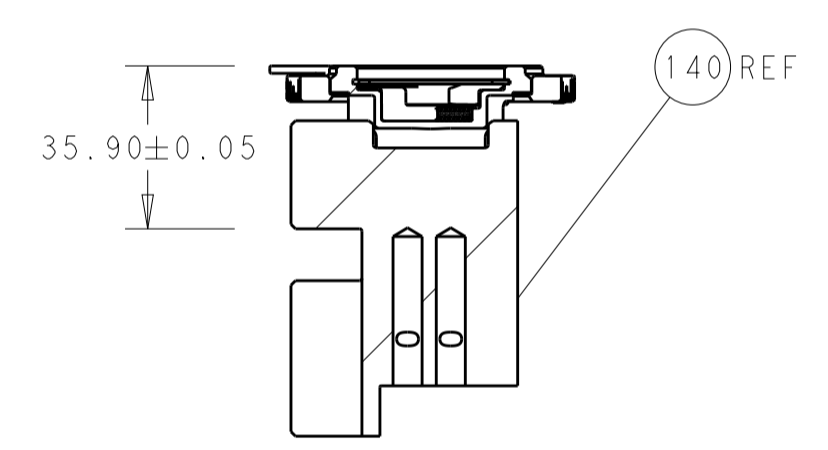
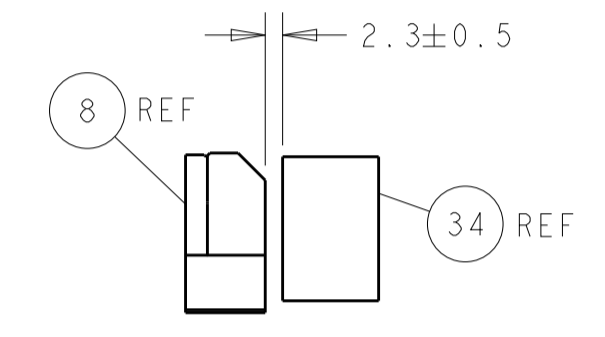
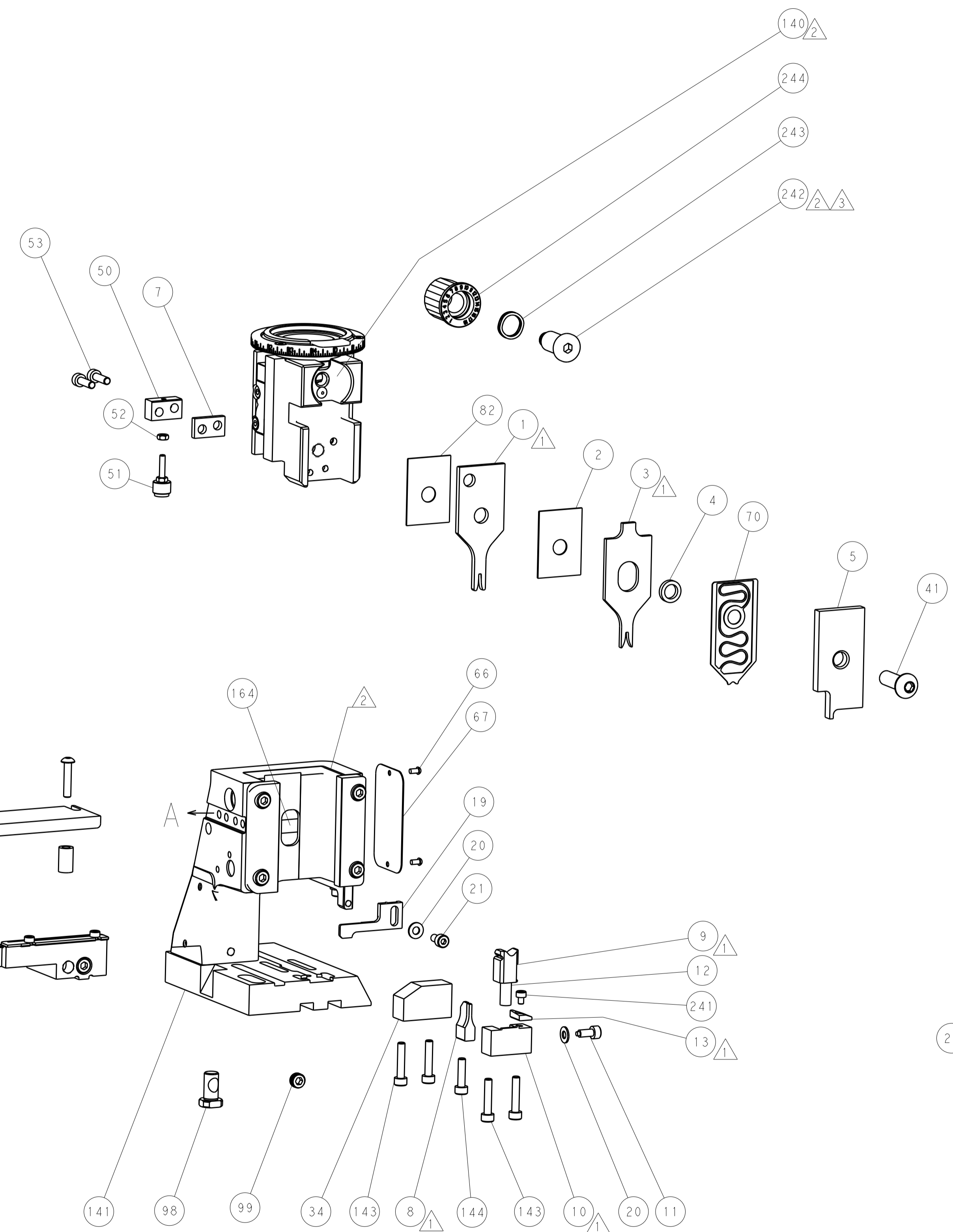
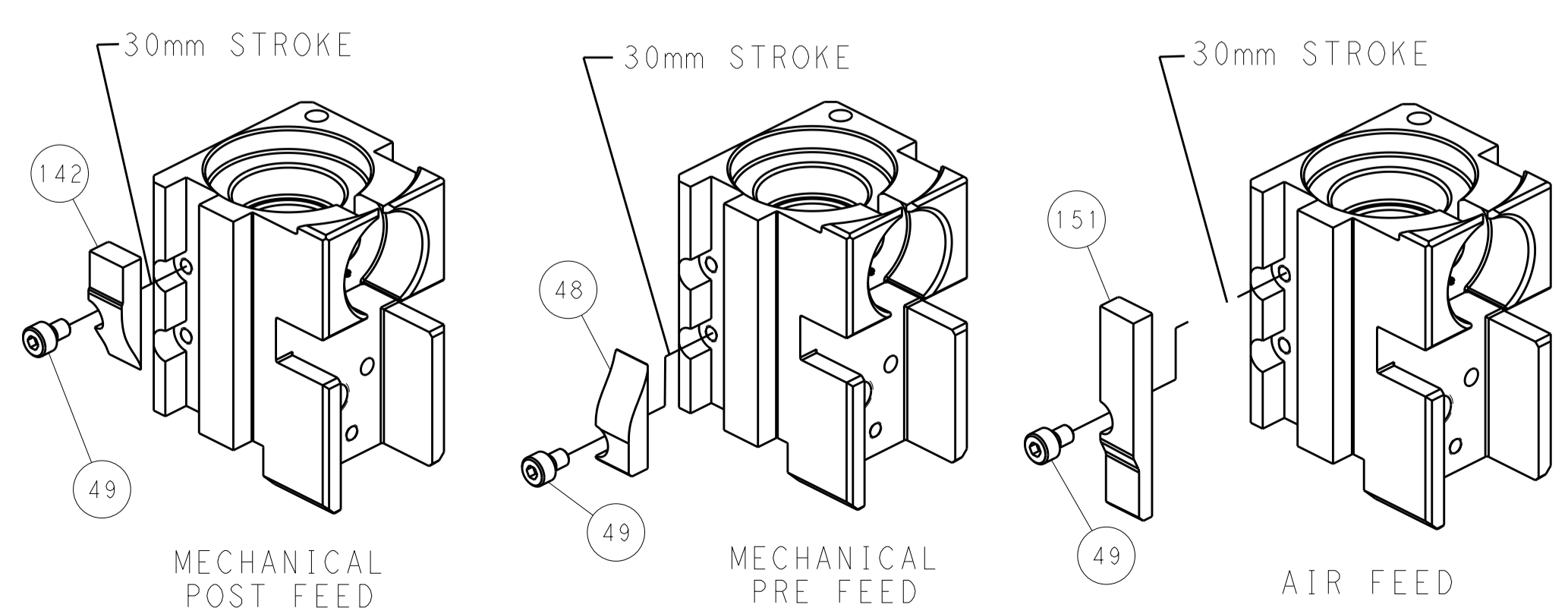
PNEUMATIC



DOUBLE ACTING PNEUMATIC WITH SENSORS



CAM POSITIONS



PACIFIC VERSION
 Shown on sheets 3 of 4 & 4 of 4
 (Atlantic version shown on sheets 1 of 4 & 2 of 4)

DIMENSIONS: mm 		TOLERANCES UNLESS OTHERWISE SPECIFIED: 0 PLC ± 1 PLC ± 2 PLC ± 3 PLC ± 4 PLC ± ANGLES ±		DWN F. ZHANG 22AUG2017 CHK K. ZHANG 22AUG2017 APVD K. ZHANG 22AUG2017		TE Connectivity Harrisburg, PA 17105-3608	
MATERIAL:		FINISH:		PRODUCT SPEC:		NAME: Ocean Side Feed Applicator	
WEIGHT:		SCALE: 1:2		SIZE: A1 00779 ©=2836871		RESTRICTED TO:	
Customer Accessible Production Drawing		SHEET 4 OF 4		REV B1		SHEETS 1 & 2 ARE NOT REQUIRED FOR PACIFIC VERSION	

单击下面可查看定价，库存，交付和生命周期等信息

[>>TE Connectivity\(泰科\)](#)