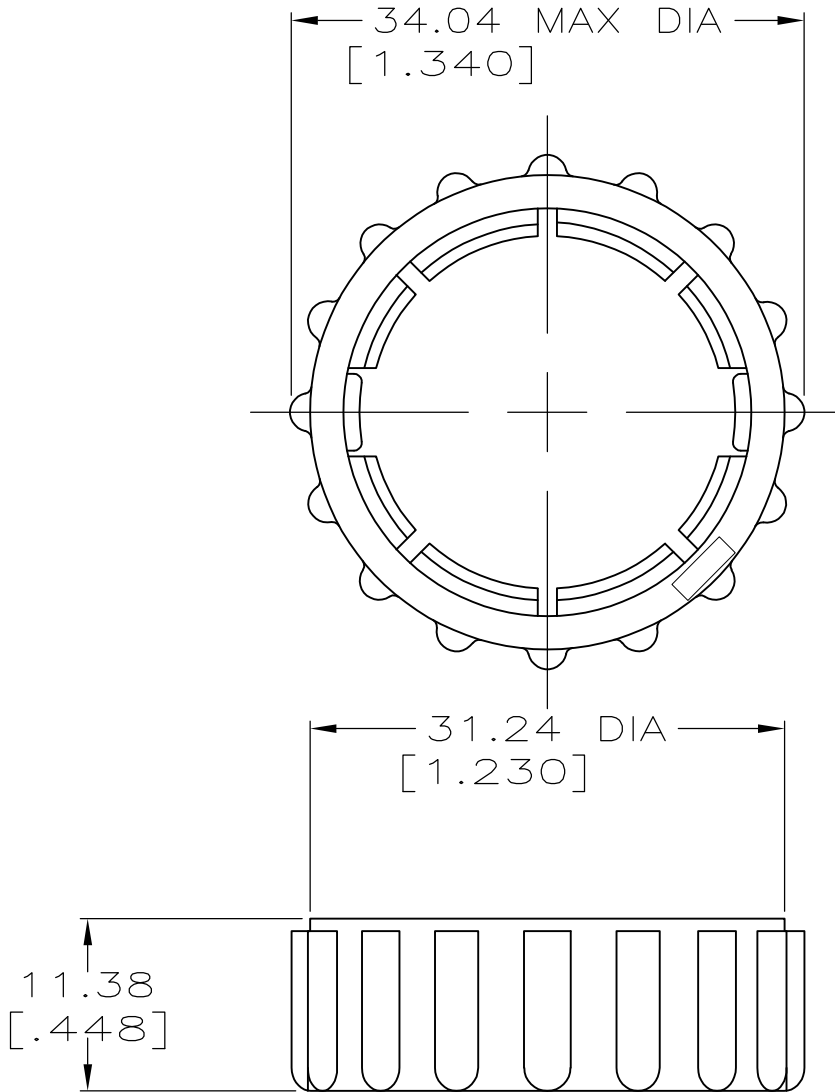


LOC FT	DIST 4	REVISIONS				
P	LTR	DESCRIPTION	DATE	DWN	APVD	
	B1	REVISED PER ECO-11-012039	14JUN11	HMR	DR	

△ 1 UL RATED, UV(f1) MATERIAL
 △ 2 PRELIMINARY PART NUMBER



△ 2 △ 1

POLYAMIDE BLACK	213810-3
POLYESTER BLACK	213810-1
MATERIAL	PART NUMBER

RELEASED FOR PUBLICATION

ALL RIGHTS RESERVED.

THIS DRAWING IS UNPUBLISHED.

© COPYRIGHT - By -

DIMENSIONS: INCHES	
TOLERANCES UNLESS OTHERWISE SPECIFIED:	
0 PLC	± -
1 PLC	± -
2 PLC	± 0.25 [.010]
3 PLC	± -
4 PLC	± -
ANGLES	± -

DWN D.HARDY 06/20/95	MATERIAL SEE TABLE	FINISH -			
CHK R.STONE 06/21/95	TE Connectivity				
APVD R.BYERS 06/21/95					
PRODUCT SPEC -	NAME COUPLING RING, SIZE 17, CPC				
APPLICATION SPEC -	SIZE A4	CAGE CODE 00779	DRAWING NO C-213810	RESTRICTED TO -	
WEIGHT -	CUSTOMER DRAWING		SCALE 2:1	SHEET 1 OF 1	REV B1

单击下面可查看定价，库存，交付和生命周期等信息

[>>TE Connectivity\(泰科\)](#)