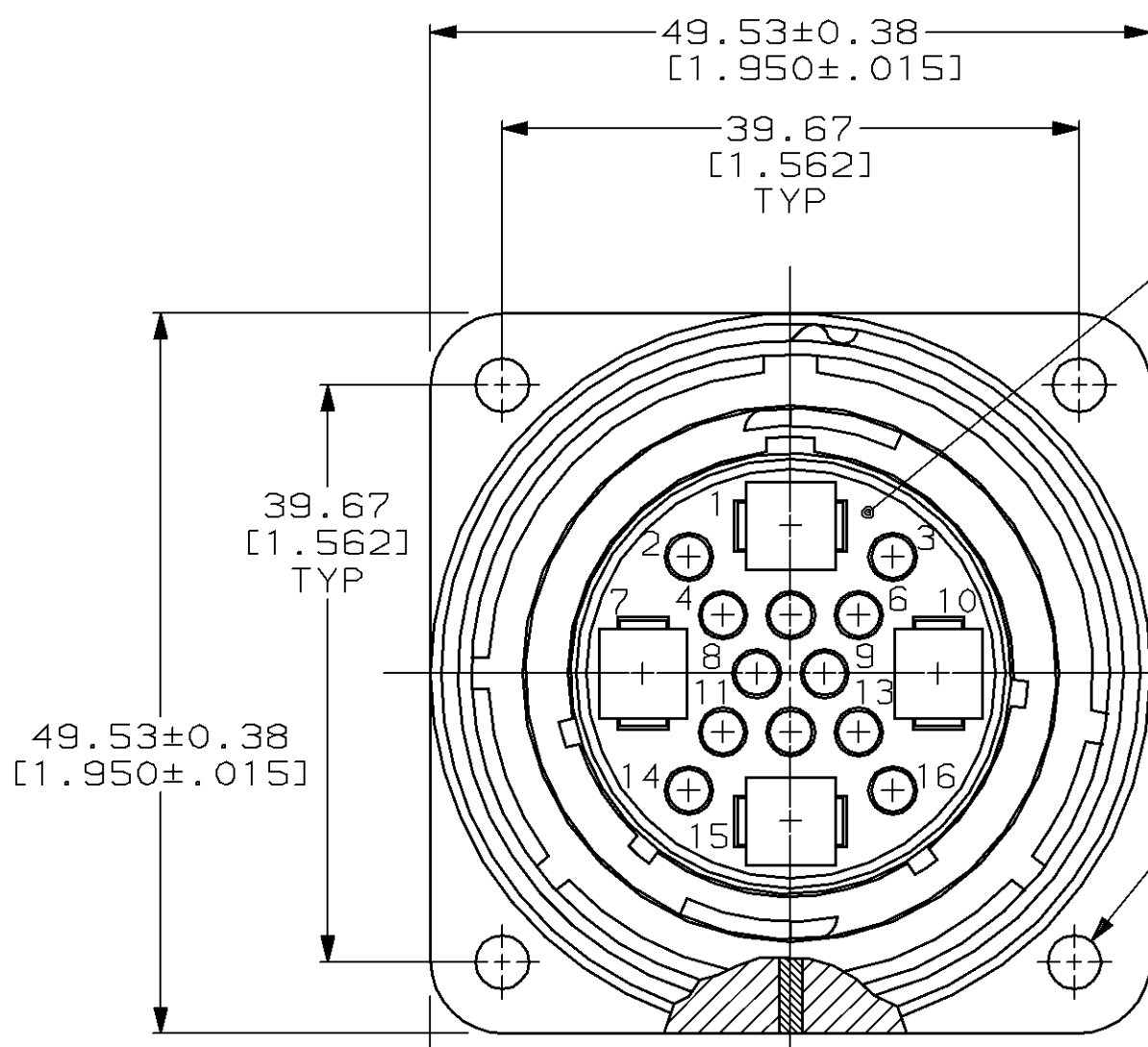


MOD	LOC	DIST	P	F	ZONE	LTR	DESCRIPTION	DATE	APPD
4	BD	35				J	REDRAWN W/O CHANGE PER EC 0020-774-94	09/04/94	AF
						K	OBS -2 PER EC 0020-0394-93	11/17/94	RK



MATING FACE
 RECEPTACLE, STD SEX
 ARRANGEMENT 23-16M
 MATERIAL: THERMOPLASTIC
 COLOR: BLACK

METAL SHELL RECEPTACLE
 MATERIAL: ZINC ALLOY
 FINISH: NICKEL PLATED
 PER QQ-N-290
 GROOVED PIN, 2 PLC
 MATERIAL: STEEL ALLOY
 FINISH: NICKEL PLATED
 PER QQ-N-290

PERIPHERAL SEAL
 SEE TABLE

48.26 MAX
 [1.900]

3.18 MAX
 [.125]
 PANEL THK

3.18±0.25
 [.125±.010]

22.22±0.25
 [.875±.010]

46.36 MAX
 [1.825]

24.76±0.25, 2 PLC
 [.975±.010]

3.68 DIA
 [.145]
 4 HOLES

3.68 DIA
 [.145]
 4 HOLES

40.89±0.25
 [1.610±.010]
 DIA

39.67 TYP
 [1.562]

39.67
 [1.562]
 TYP

3.68 DIA
 [.145]
 4 HOLES

FRONT MOUNTED PANEL CUTOUT

39.67
 [1.562]
 TYP

50.04 DIA
 [1.970]

39.67
 [1.562]
 TYP

REAR MOUNTED PANEL CUTOUT

OBSOLETE	YES	208479-2
	NO	208479-1
PERIPHERAL SEAL	PART NUMBER	

- RECEPTACLE MATES WITH AMP PLUG 208478-1.
- AMP PART NUMBER AND DATE CODE TO BE LOCATED ON EDGE OF FLANGE.

DO NOT SCALE PRINT. UNLESS SPECIFIED DIMENSIONS IN mm [INCHES] TOLERANCES ON : 2 PLC DEC ±0.13 [.005] 3 PLC DEC ± - ANGLES ± -	DR 09-04-94 D.HARDY	AMP Incorporated Harrisburg, PA 17105-3608	
	CHK 09-09-94 R.STONE		
SEE CALL OUT	APPD 09-30-94 A.FRANTUM	RECEPTACLE ASSEMBLY, 28-16M, STANDARD SEX, CMC	
FINISH SEE CALL OUT	APPD 09-30-94 A.FRANTUM	SIZE	CAGE CODE
	PRODUCT SPEC	③	00779
	APPLICATION SPEC	SCALE	DRAWING NO
		2:1	③-208479
	WEIGHT -	SHEET 1 OF 1	

THIS DRAWING IS A CONTROLLED DOCUMENT FOR AMP INCORPORATED. IT IS SUBJECT TO CHANGE AND THE CONTROLLING ENGINEERING ORGANIZATION SHOULD BE CONTACTED FOR THE LATEST REVISION.

单击下面可查看定价，库存，交付和生命周期等信息

[>>TE Connectivity\(泰科\)](#)