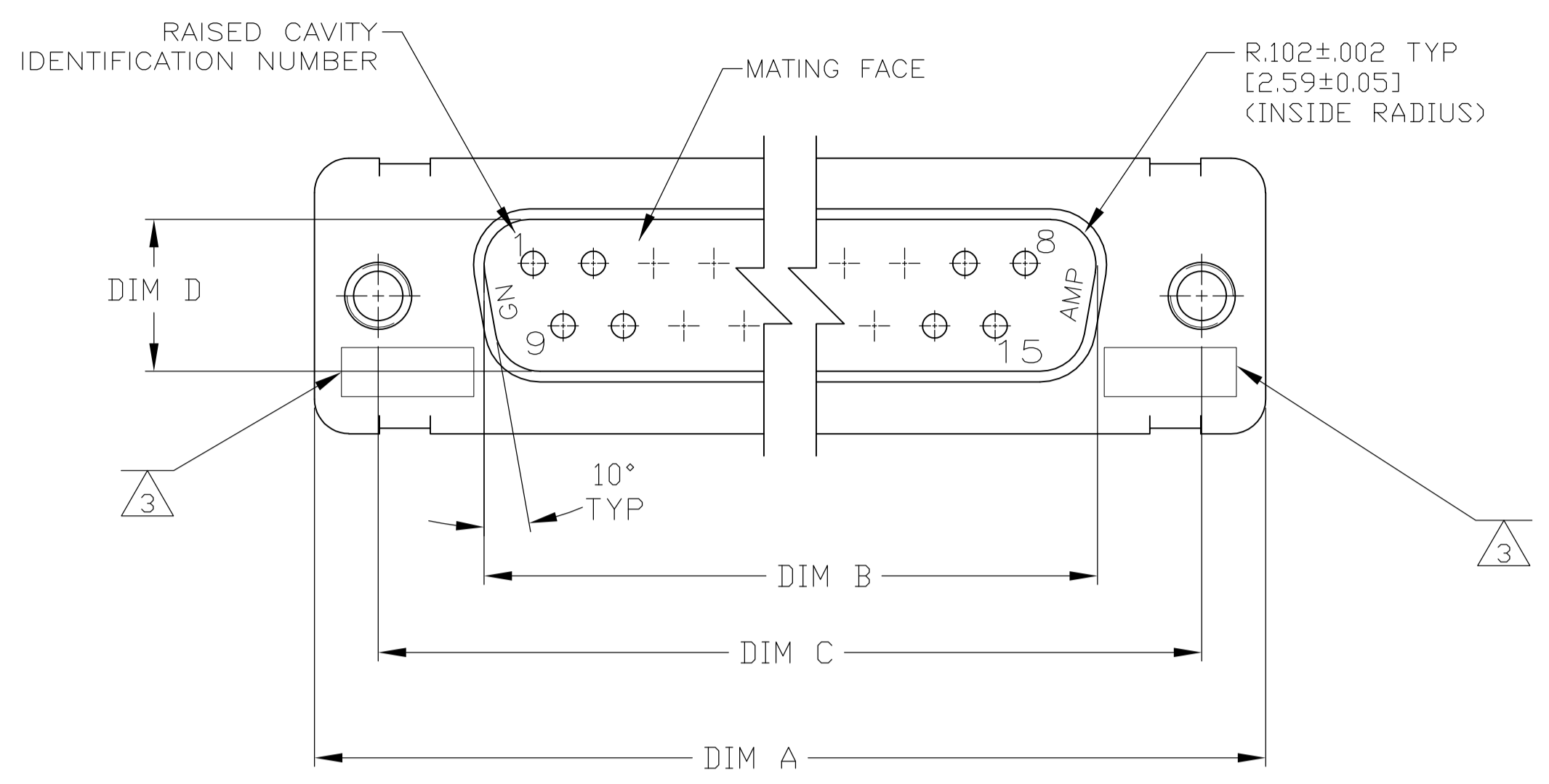
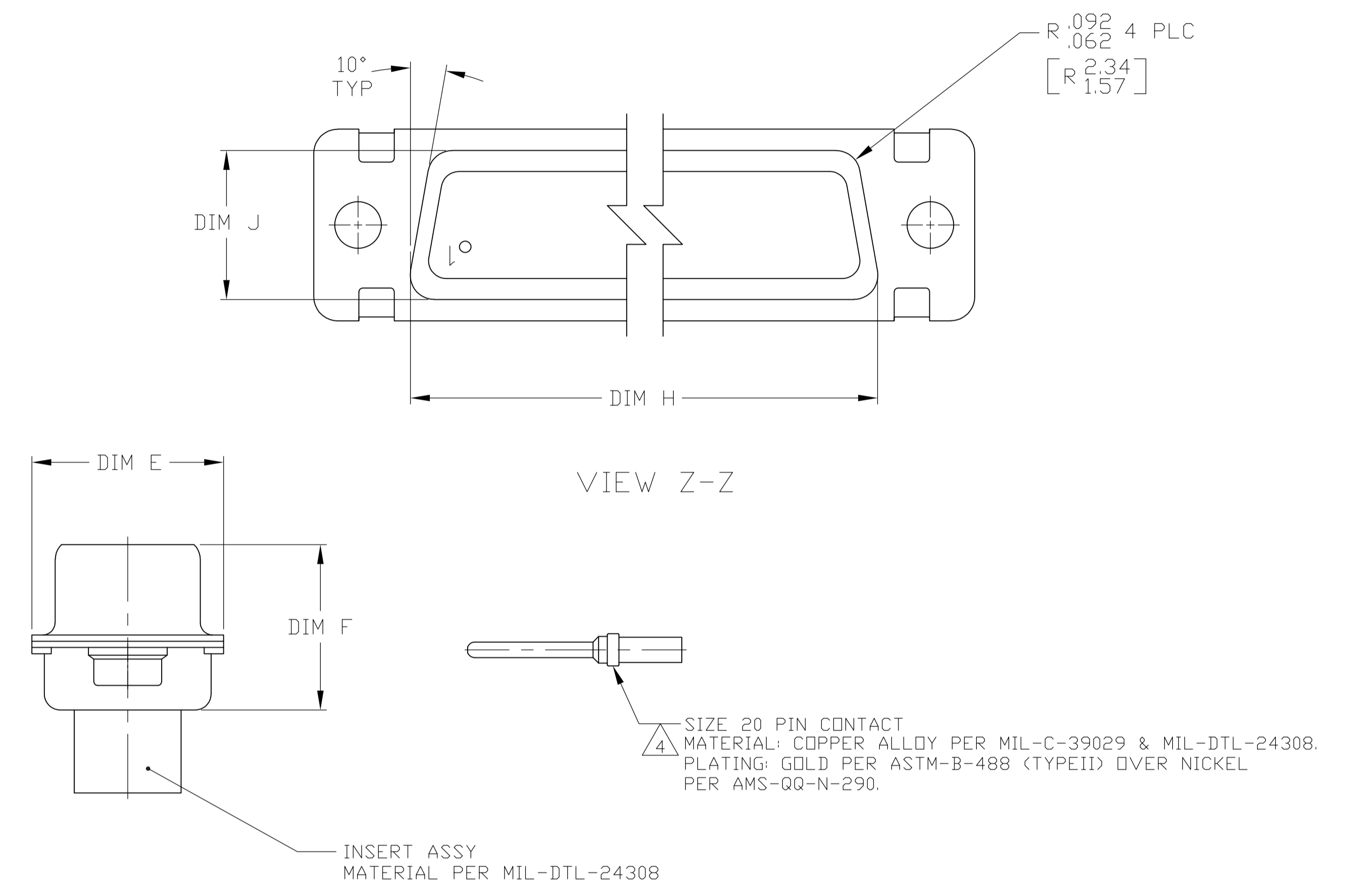
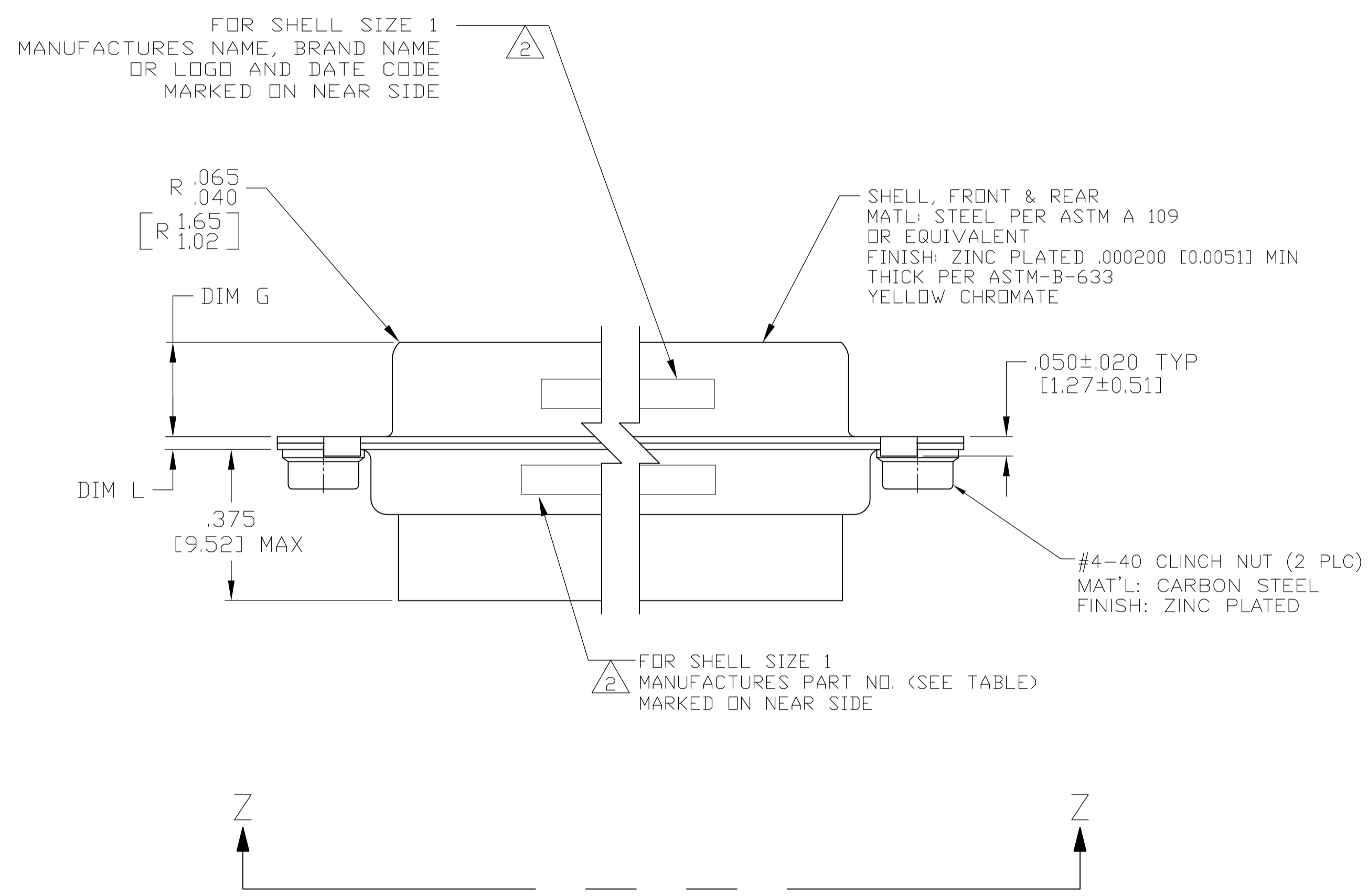


LOC		DIST		REVISIONS			
P	LTR	DESCRIPTION	DATE	DMN	APVD		
B		REV PER ECO 15-006633	5-11-15	CT	DM		



1. THE CONNECTOR DESCRIBED IN THIS DOCUMENT WILL MATE WITH ANY RECEPTACLE CONNECTOR WITH THE SAME INSERT ARRANGEMENT.
2. MARKED WITH .047-.062 [1.19-1.57] HIGH CHARACTERS. FAR SIDE REFERS TO THE WIDE SIDE OF THE KEYSTONE. NEAR SIDE REFERS TO THE NARROW SIDE OF THE KEYSTONE. WHEN SPACE IS LIMITED MARKING CAN BE SPLIT BETWEEN FRONT AND REAR SHELL.
3. UL/CSA DESIGNATION STAMPED IN THIS AREA.
4. CONNECTOR ASSEMBLY SUPPLIED WITH CONTACTS, TE P/N 1218371-1. PACKAGED IN A SEPARATE CONTAINER. QTY = NO. OF POSN. (SEE TABLE).



REMARKS	1996839-1	.040 [1.02]	.432 [10.97]	.769 [19.53]	.238 [6.05]	.432 [10.97]	.509 [12.93]	.334 [8.48]	.989 [25.12]	.671 [17.04]	1.228 [31.19]	MS18273-1	9	1	1996839-1
	MFG. PART NUMBER	L	J	H	G	F	E	D	C	B	A	INSERT ARRANGEMENT	NO OF POS	SHELL SIZE	PART NUMBER

THIS DRAWING IS A CONTROLLED DOCUMENT.

DIMENSIONS: INCHES	TOLERANCES UNLESS OTHERWISE SPECIFIED:	DIN C.C. THOMAS 7-28-08	7-28-08
	0 PLC ± -	RELEASE	7-28-08
	1 PLC ± -	RELEASE	7-28-08
	2 PLC ± -	RELEASE	7-28-08
	3 PLC ± .005 [0.13]	RELEASE	7-28-08
4 PLC ± -	RELEASE	7-28-08	
ANGLES ± ± 1°			

MATERIAL: SEE CALLOUTS. FINISH: SEE CALLOUTS.

WEIGHT: ---. SIZE: A1. CAGE CODE: 00779. DRAWING NO: 1996839. RESTRICTED TO: ---.

CUSTOMER DRAWING. SCALE: 4:1. SHEET: 1 OF 1. REV: B.

单击下面可查看定价，库存，交付和生命周期等信息

[>>TE Connectivity\(泰科\)](#)