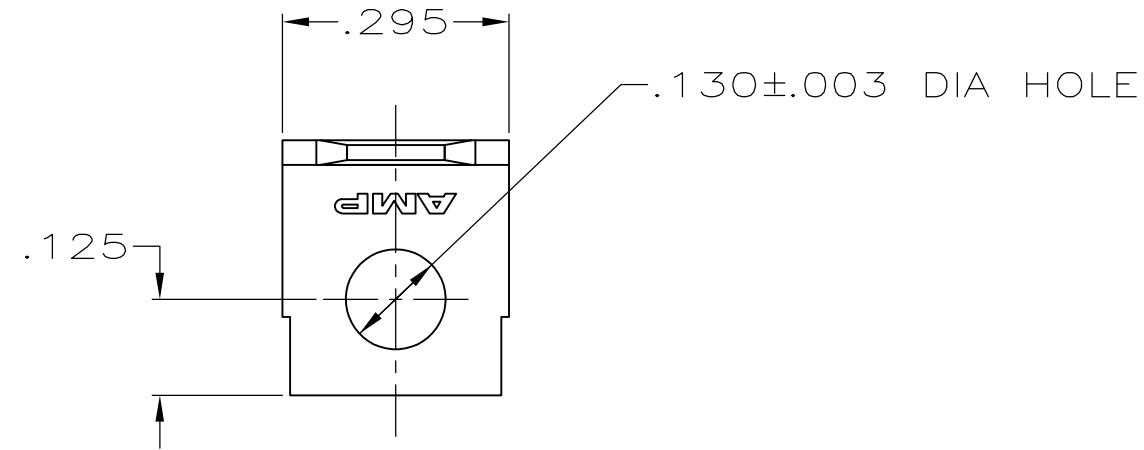
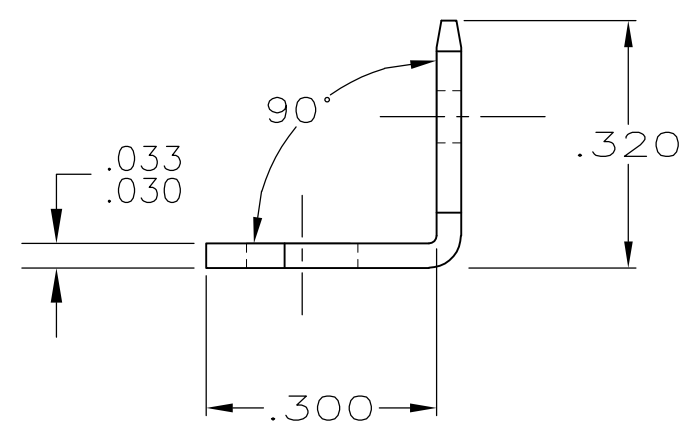
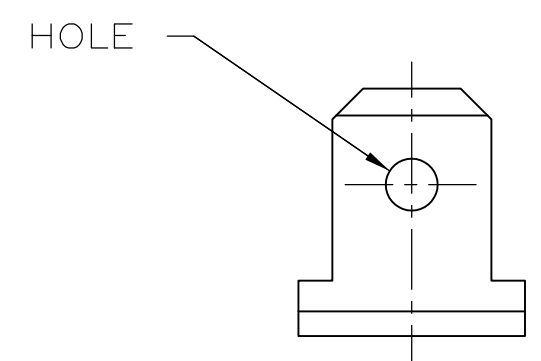


THIS DRAWING IS UNPUBLISHED. RELEASED FOR PUBLICATION  
 © COPYRIGHT - By - ALL RIGHTS RESERVED.


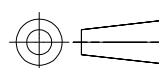
LOC	DIST	REVISIONS					
AF	50	P	LTR	DESCRIPTION	DATE	DWN	APVD
		F		REVISED PER ECR-13-011489	05DEC2013	KH	PD



1 SUPPLIED IN LOOSE PIECE.



61836-1  
 PART NO.

THIS DRAWING IS A CONTROLLED DOCUMENT.		DWN	JR RUTH	1/10/97	 TE Connectivity			
DIMENSIONS: INCHES		CHK	MS FEHER	1/10/97				
		APVD	P DESANTIS	1/10/97				
TOLERANCES UNLESS OTHERWISE SPECIFIED: 0 PLC ± - 1 PLC ± - 2 PLC ± - 3 PLC ± .015 4 PLC ± - ANGLES ± -		PRODUCT SPEC	NAME					
MATERIAL	BRASS	FINISH	-		TAB, FASTON, .205 SERIES			
		WEIGHT	-		SIZE	CAGE CODE	DRAWING NO	RESTRICTED TO
		CUSTOMER DRAWING			A3	00779	C-61836	-
		SCALE		4:1	SHEET		1 OF 1	REV
							F	

单击下面可查看定价，库存，交付和生命周期等信息

[>>TE Connectivity\(泰科\)](#)