

4

3

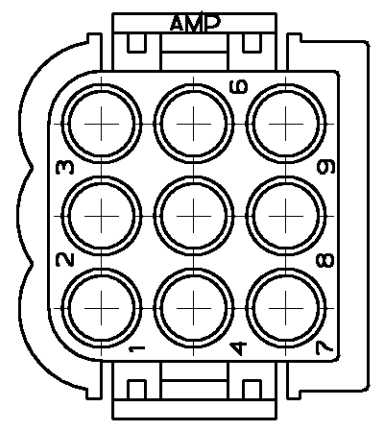
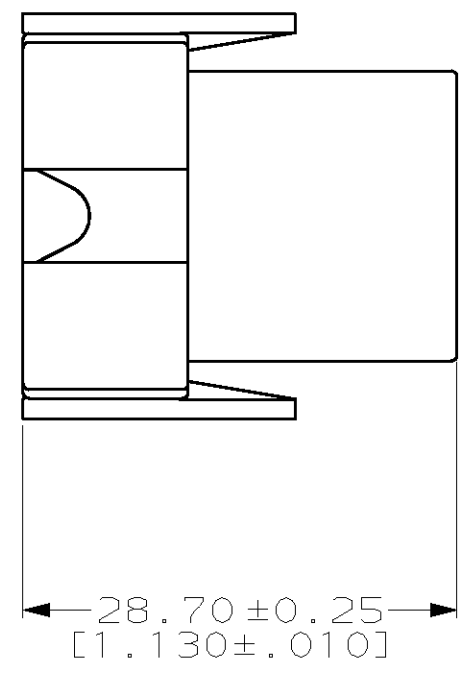
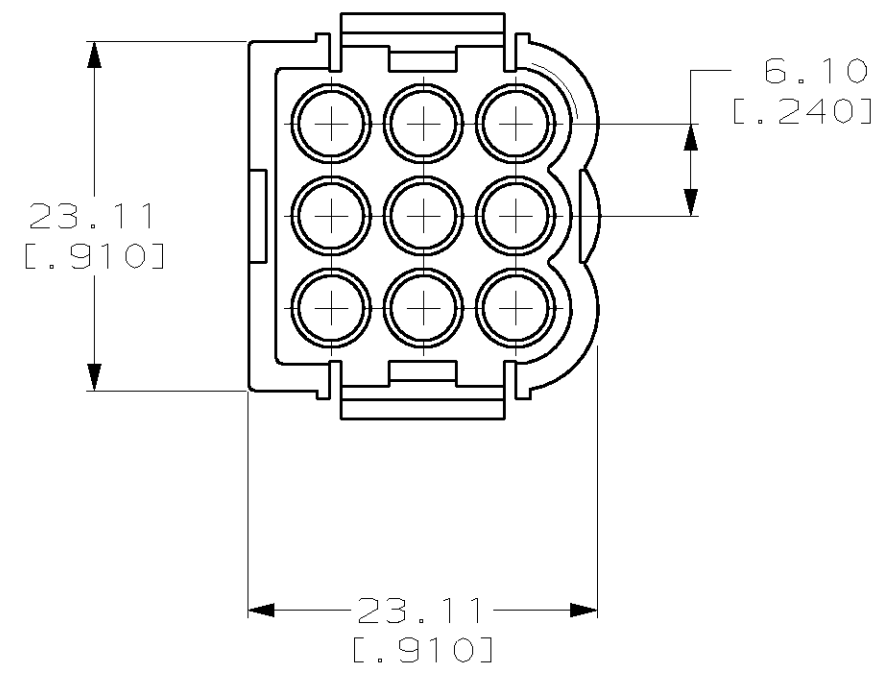
2

1

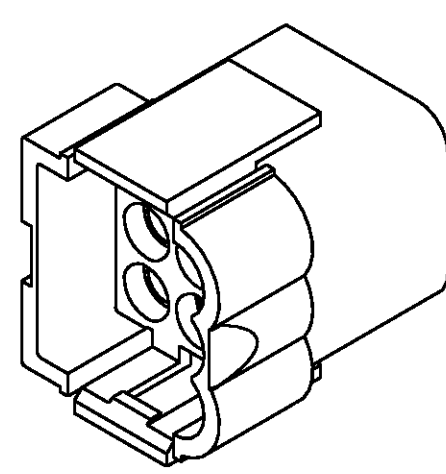
THIS DRAWING IS UNPUBLISHED. RELEASED FOR PUBLICATION, 19 .

© COPYRIGHT 19 BY AMP INCORPORATED. ALL RIGHTS RESERVED.

LOC	DIST	REVISIONS					
		P	LTR	DESCRIPTION	DATE	DWN	APVD
CM	53		0	RELEASED PER PR CM-99-34	10-JUN-99	KW	MT



1. HOUSING HAS A UL ELECTRICAL RELATIVE TEMPERATURE INDEX (RTI) OF 150° C.
2. DIMENSIONS IN BRACKETS ARE IN INCHES.



3-DIMENSIONAL MODEL NTS

794683-1
PART NUMBER

METRIC

THIS DRAWING IS A CONTROLLED DOCUMENT.		DWN K. WHITAKER 10-JUN-1999	AMP AMP Incorporated Harrisburg, PA 17105-3608												
DIMENSIONS: mm [INCHES]		CHK M. TRULL 10-JUN-1999													
TOLERANCES UNLESS OTHERWISE SPECIFIED:		APVD M. TRULL 10-JUN-1999	NAME CAP, 9 CIRCUIT, 140 MATE-N-LOK™												
<table border="0"> <tr><td>0 PLC</td><td>±-</td></tr> <tr><td>1 PLC</td><td>±0.3 [.01]</td></tr> <tr><td>2 PLC</td><td>±0.13 [.005]</td></tr> <tr><td>3 PLC</td><td>±-</td></tr> <tr><td>4 PLC</td><td>±-</td></tr> <tr><td>ANGLES</td><td>±0°30'</td></tr> </table>		0 PLC	±-	1 PLC	±0.3 [.01]	2 PLC	±0.13 [.005]	3 PLC	±-	4 PLC	±-	ANGLES	±0°30'	PRODUCT SPEC -	SIZE A3
0 PLC	±-														
1 PLC	±0.3 [.01]														
2 PLC	±0.13 [.005]														
3 PLC	±-														
4 PLC	±-														
ANGLES	±0°30'														
MATERIAL NYLON, UL 94V-2, BLACK		APPLICATION SPEC -	CAGE CODE 00779												
FINISH -		WEIGHT -	DRAWING NO C- 794683												
CUSTOMER DRAWING			RESTRICTED TO -												
SCALE 2:1			SHEET 1 OF 1												
REV 0															

单击下面可查看定价，库存，交付和生命周期等信息

[>>TE Connectivity\(泰科\)](#)