

4

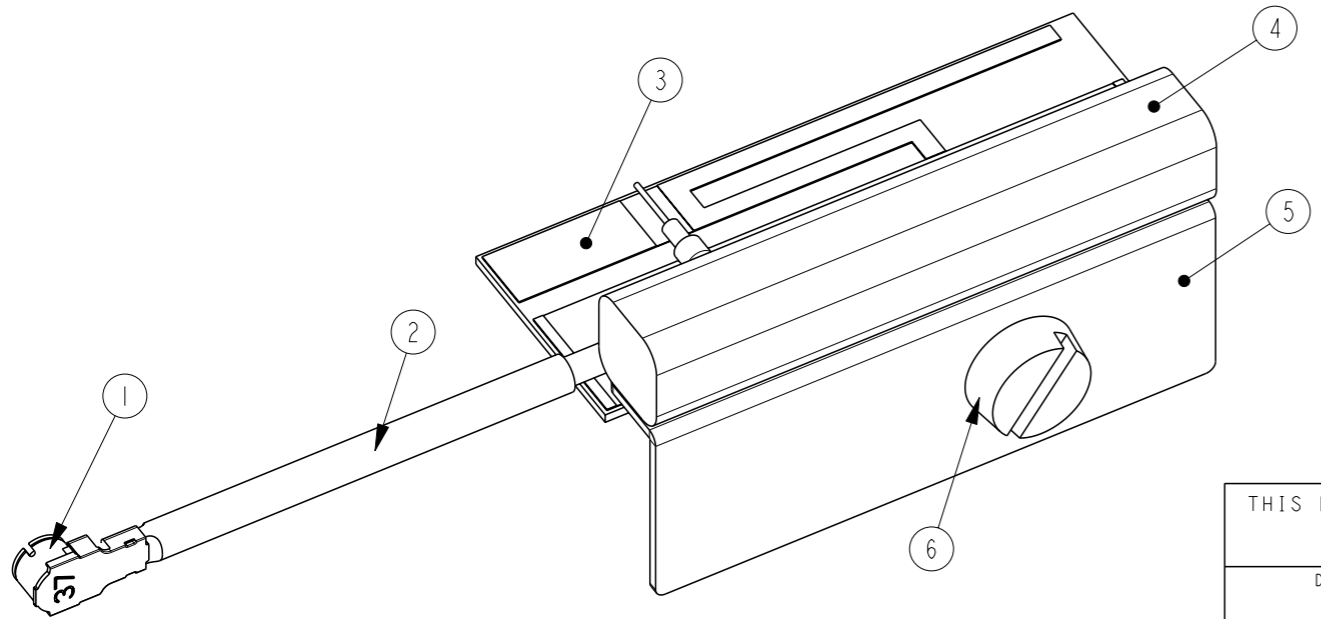
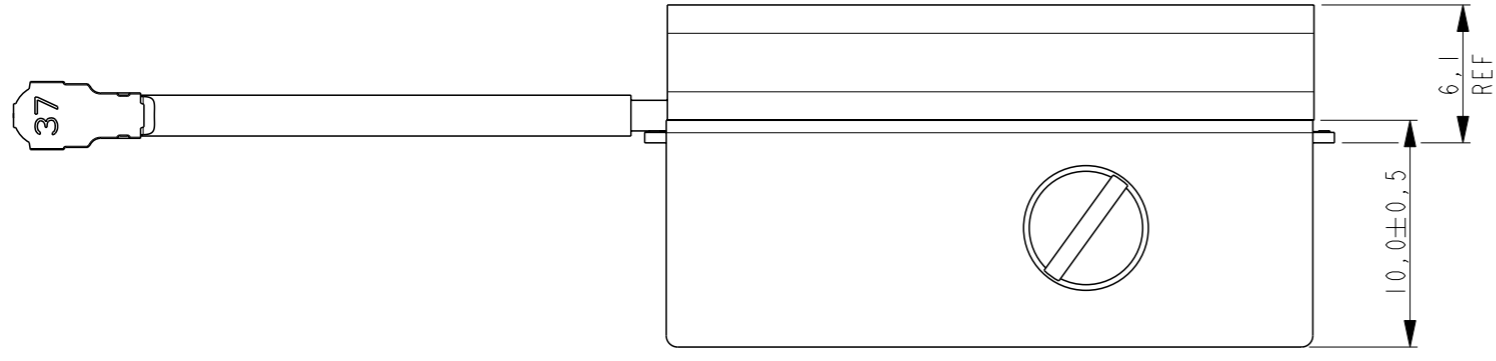
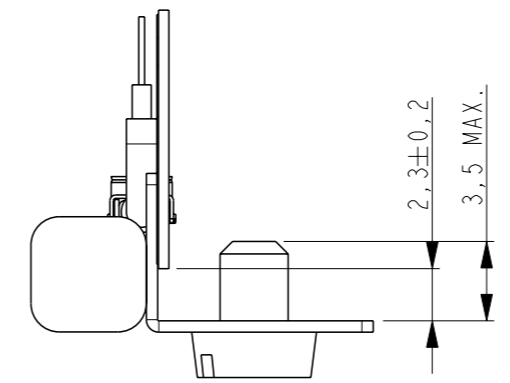
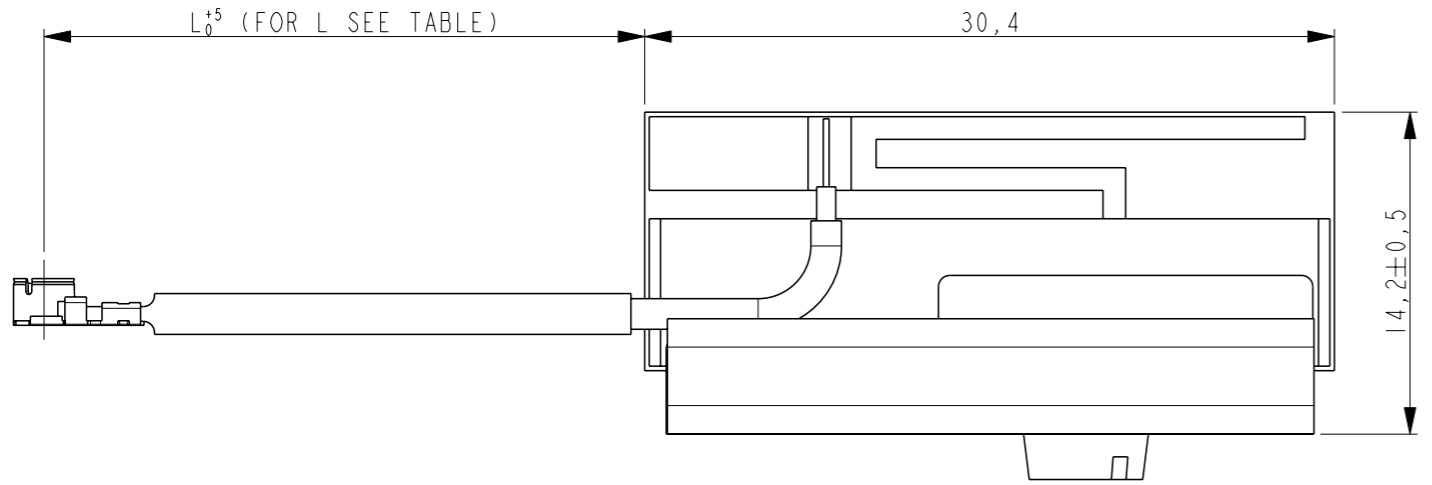
3

2

1

THIS DRAWING IS UNPUBLISHED. RELEASED FOR PUBLICATION
 © COPYRIGHT 19 BY - ALL RIGHTS RESERVED.

LOC	DIST	REVISIONS					
H	-	P	LTR	DESCRIPTION	DATE	DWN	APVD
			A	ECR-11-009371	05MAY2011	EZ	RL



DESCRIPTION	REMARK	ITEM	QTY
SCREW M3	NOT DELIVERED BY TE-CONNECTIVITY	6	-
BRACKET	BRASS OR NEW-SILVER	5	1
EMC GASKET	HIGHT: 5,1 mm	4	1
PRINTED CIRCUIT BOARD	MATERIAL: FR4	3	1
COAX CABLE; O.D. 1.37 mm	COLOUR: GREY ; LENGTH = 350 mm	2	-
COAX CABLE; O.D. 1.37mm	COLOUR: WHITE; LENGTH = 210 mm	2	-
COAX CABLE; O.D. 1.37 mm	COLOUR: BLACK; LENGTH = 500 mm	2	-
ULTRA MINIATURE COAX CONNECTOR	FOR 1,37 mm O.D. JACKET	1	1

THIS DRAWING IS A CONTROLLED DOCUMENT.		DWN	22 JAN 2010
DIMENSIONS: mm		CHK	22 JAN 2010
TOLERANCES UNLESS OTHERWISE SPECIFIED:		APVD	22 JAN 2010
0 PLC	±.5	PRODUCT SPEC	
1 PLC	±.2	APPLICATION SPEC	
2 PLC	±.1	WEIGHT	
3 PLC	±.		
4 PLC	±.		
ANGLES	±2		
MATERIAL	FINISH		

STE TE Connectivity

NAME: WiFi ANTENNA

SIZE: A3 CAGE CODE: 00779 DRAWING NO: C-1551524 RESTRICTED TO: -

CUSTOMER DRAWING SCALE: 3:1 SHEET 1 OF 1 REV: A

1551524-1
 1551524-2
 1551524-3

单击下面可查看定价，库存，交付和生命周期等信息

[>>TE Connectivity\(泰科\)](#)